



US00D838361S

(12) **United States Design Patent**
Jenkins et al.

(10) **Patent No.:** **US D838,361 S**

(45) **Date of Patent:** **** Jan. 15, 2019**

(54) **GUIDE WIRE BOWL**

(71) Applicant: **Global Resources International Inc.**,
Flowery Branch, GA (US)

(72) Inventors: **Brian E. Jenkins**, Cumming, GA (US);
Jiening Liu, Buford, GA (US); **Peyton Yu**,
Fallen Oak Lane, GA (US)

(73) Assignee: **Global Resources International Inc.**,
Flowery Branch, GA (US)

(**) Term: **15 Years**

(21) Appl. No.: **29/611,417**

(22) Filed: **Jul. 21, 2017**

(51) **LOC (11) Cl.** **24-04**

(52) **U.S. Cl.**
USPC **D24/121**

(58) **Field of Classification Search**
USPC D24/121, 123, 224; 604/317-325;
D7/500, 587, 586, 545, 584
CPC B65D 41/04; B65D 2251/023; B65D
41/0485; B65D 41/3428
See application file for complete search history.

(56) **References Cited**

U.S. PATENT DOCUMENTS

D345,894 S *	4/1994	Krupa	D7/554.2
5,415,180 A *	5/1995	Horan	A61B 50/10
				128/846
D385,749 S *	11/1997	Ebrahim	D7/560
D433,130 S *	10/2000	Cude	D24/121
D479,097 S *	9/2003	Willis	D7/565
D479,672 S *	9/2003	Wichmann	D7/565

D568,989 S *	5/2008	Kammer	D24/123
D575,992 S *	9/2008	LeGreve	D7/586
D576,448 S *	9/2008	Harris	D7/505
D604,989 S *	12/2009	Chen	D7/360
D672,457 S *	12/2012	Foley	D24/123
D738,491 S *	9/2015	Foley	D24/121
D746,979 S *	1/2016	Dominguez	D24/121

* cited by examiner

Primary Examiner — David G Muller

(74) *Attorney, Agent, or Firm* — Withers & Keys, LLC

(57) **CLAIM**

The ornamental design for a guide wire bowl, as shown and described.

DESCRIPTION

FIG. 1 is a perspective view of a guide wire bowl showing our new design;

FIG. 2 is a front elevation view thereof;

FIG. 3 is a rear elevation view thereof;

FIG. 4 is a side elevation view as viewed from the right-hand side of the guide wire bowl shown in FIG. 1;

FIG. 5 is a side elevation view as viewed from the left-hand side of the guide wire bowl shown in FIG. 1;

FIG. 6 is a bottom plan view thereof;

FIG. 7 is a top plan view thereof;

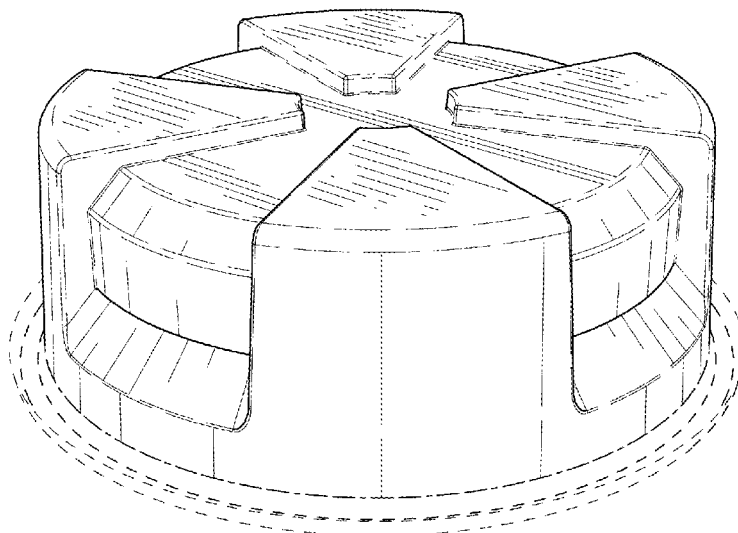
FIG. 8 is another perspective view thereof;

FIG. 9 is a cross-sectional view of the guide wire bowl shown in FIG. 8 as viewed along line 9-9; and,

FIG. 10 is a perspective view of the inner surfaces of the guide wire bowl shown in FIG. 1.

The dashed broken lines shown in the drawings illustrate portions of the guide wire bowl that forms no part of the claimed design.

1 Claim, 10 Drawing Sheets



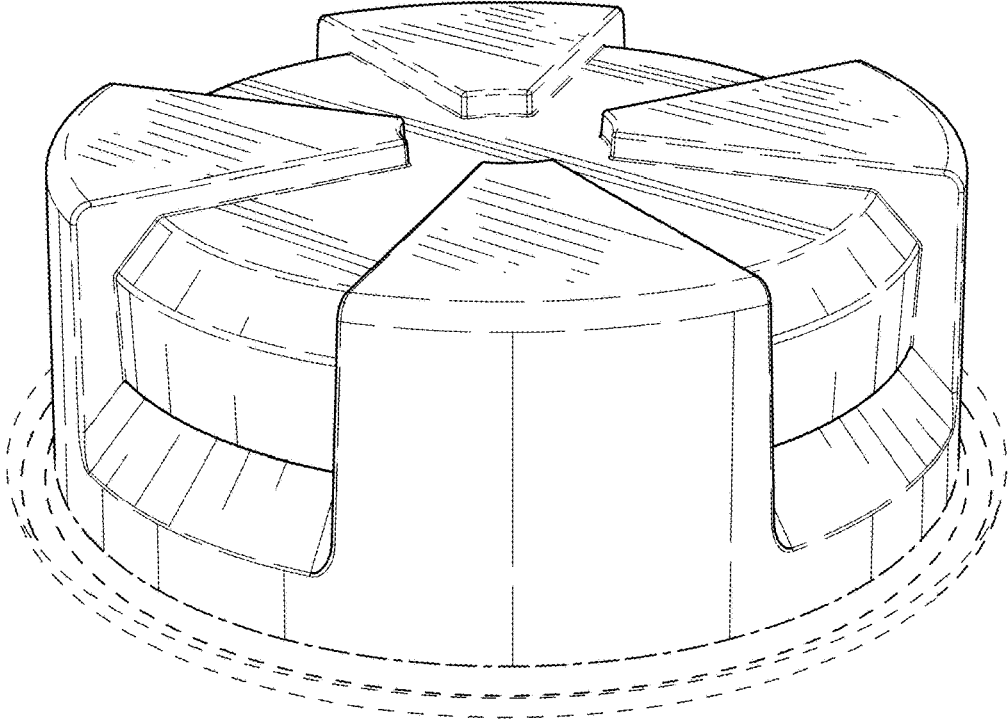


FIG. 1

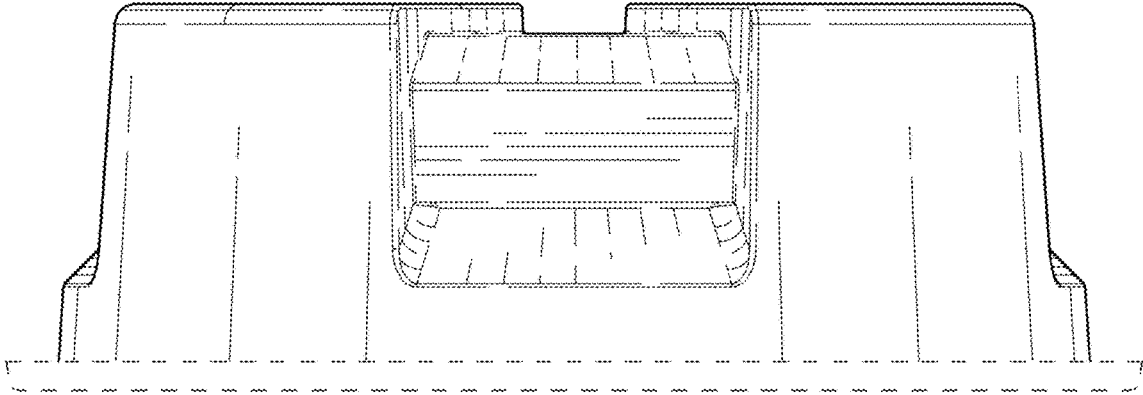


FIG. 2

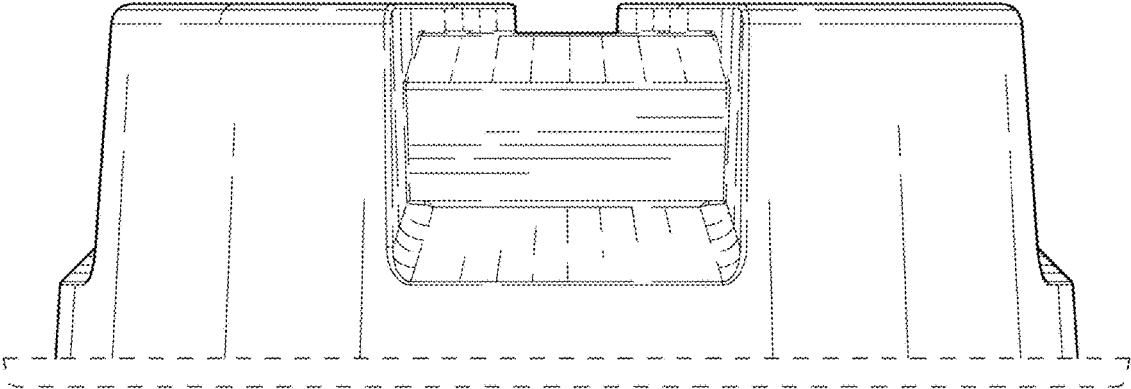


FIG. 3

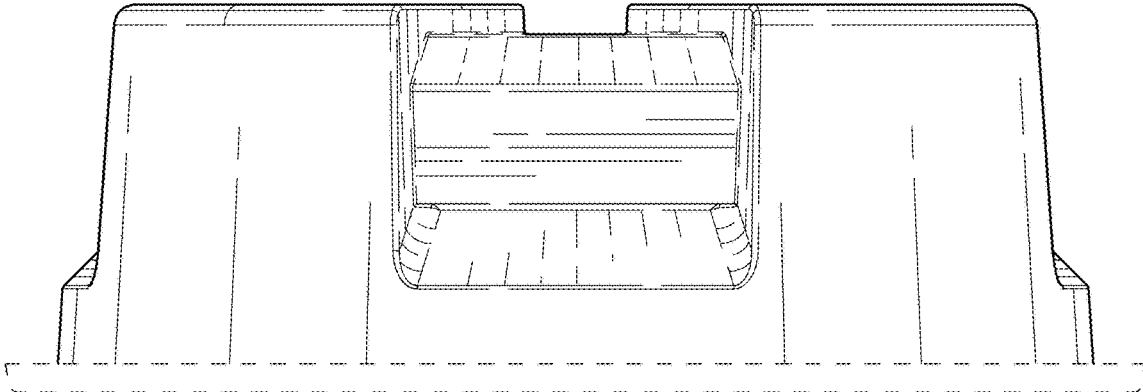


FIG. 4

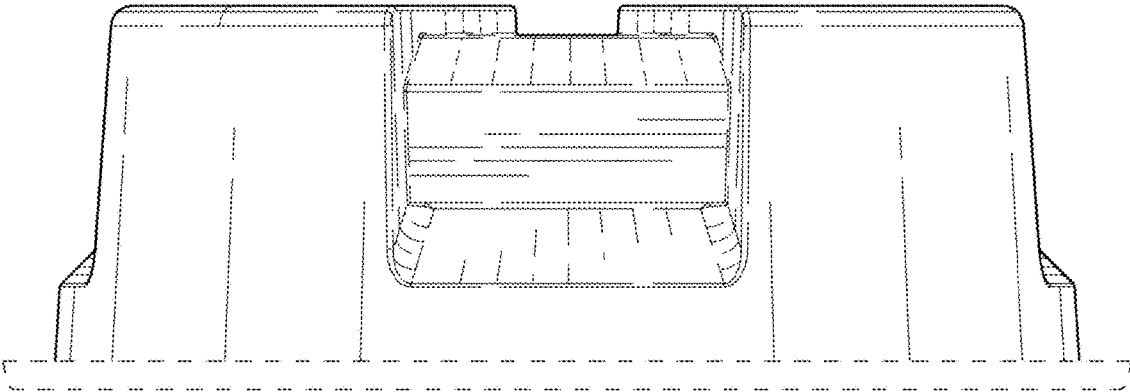


FIG. 5

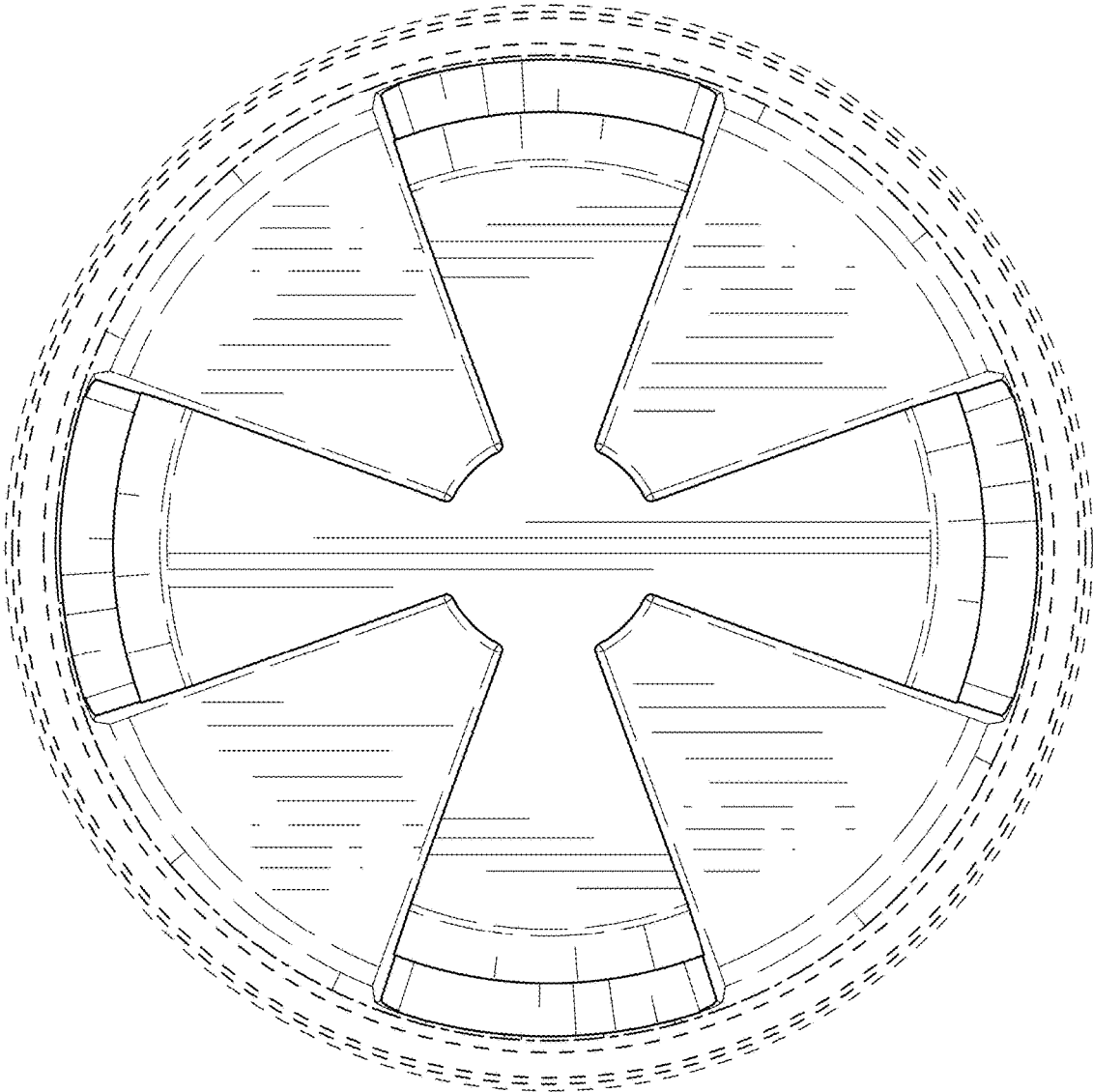


FIG. 6

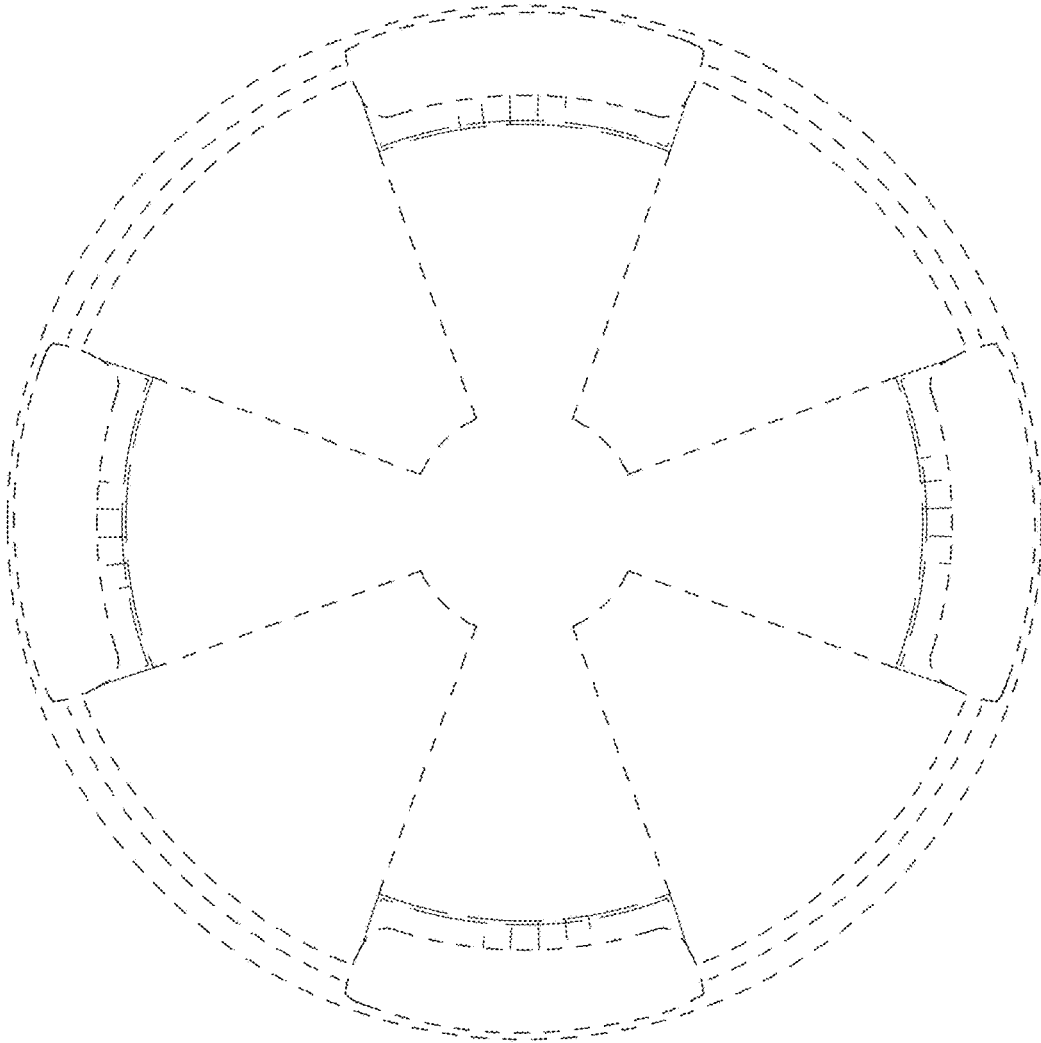


FIG. 7

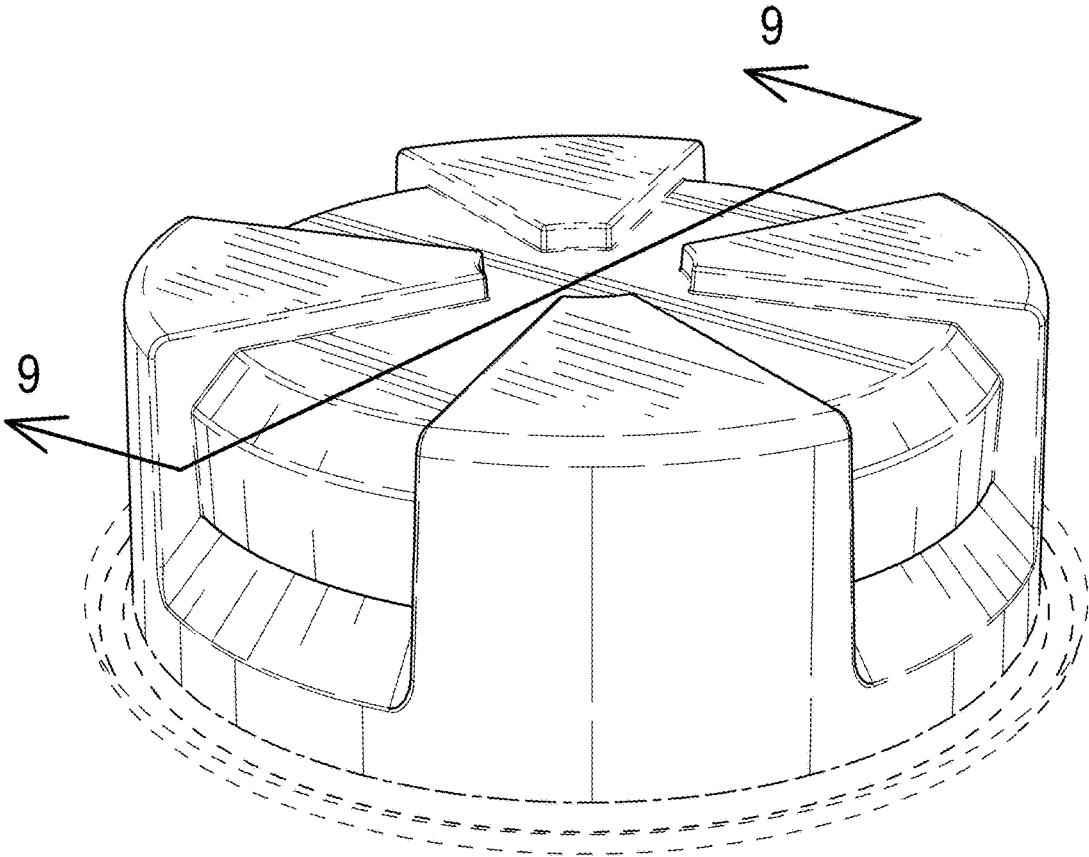


FIG. 8

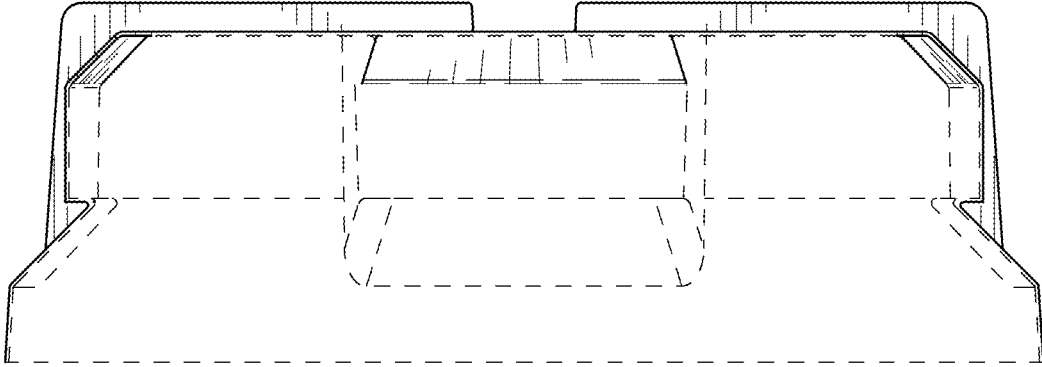


FIG. 9

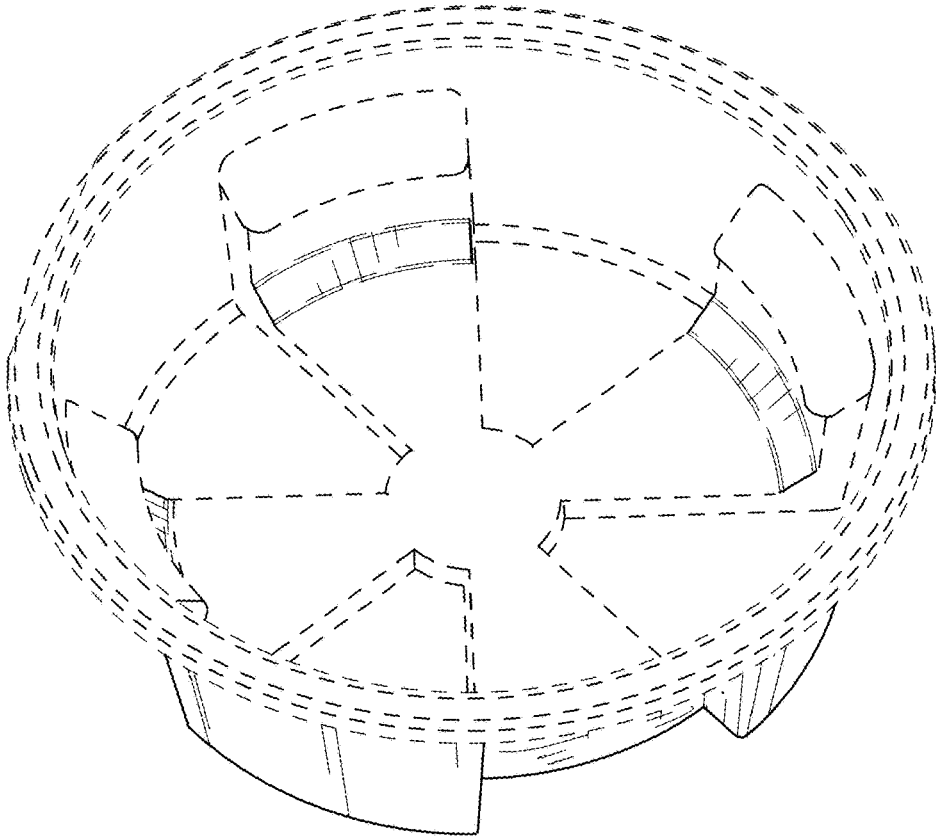


FIG. 10