

(19) World Intellectual Property Organization
International Bureau



(43) International Publication Date
27 June 2002 (27.06.2002)

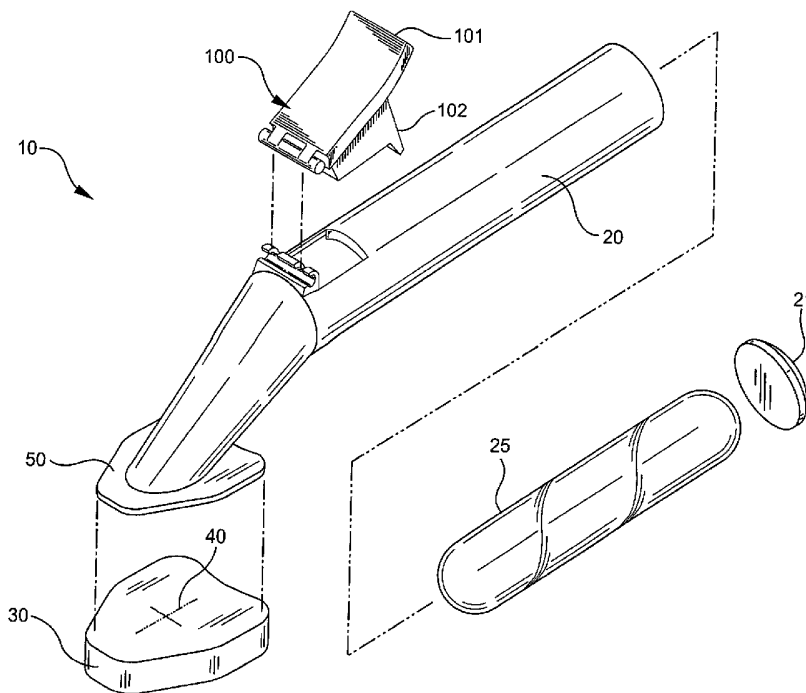
PCT

(10) International Publication Number
WO 02/049708 A3

- (51) International Patent Classification⁷: A61M 35/00, A45D 34/04, B65D 47/44
- (74) Agent: LEE, Eric, M.; Becton, Dickinson and Company, 1 Becton Drive, Franklin Lakes, NJ 07417-1880 (US).
- (21) International Application Number: PCT/US01/47752
- (81) Designated States (*national*): AE, AG, AL, AM, AT, AU, AZ, BA, BB, BG, BR, BY, BZ, CA, CH, CN, CR, CU, CZ, DE, DK, DM, DZ, EE, ES, FI, GB, GD, GE, GH, GM, HR, HU, ID, IL, IN, IS, JP, KE, KG, KP, KR, KZ, LC, LK, LR, LS, LT, LU, LV, MA, MD, MG, MK, MN, MW, MX, MZ, NO, NZ, PL, PT, RO, RU, SD, SE, SG, SI, SK, SL, TJ, TM, TR, TT, TZ, UA, UG, US, UZ, VN, YU, ZA, ZW.
- (22) International Filing Date: 11 December 2001 (11.12.2001)
- (25) Filing Language: English
- (26) Publication Language: English
- (30) Priority Data: 09/741,562 20 December 2000 (20.12.2000) US
- (84) Designated States (*regional*): ARIPO patent (GH, GM, KE, LS, MW, MZ, SD, SL, SZ, TZ, UG, ZM, ZW), Eurasian patent (AM, AZ, BY, KG, KZ, MD, RU, TJ, TM), European patent (AT, BE, CH, CY, DE, DK, ES, FI, FR, GB, GR, IE, IT, LU, MC, NL, PT, SE, TR), OAPI patent (BF, BJ, CF, CG, CI, CM, GA, GN, GQ, GW, ML, MR, NE, SN, TD, TG).
- (71) Applicant (*for all designated States except US*): BECTON, DICKINSON AND COMPANY [US/US]; 1 Becton Drive, Franklin Lakes, NJ 07417-1880 (US).
- (72) Inventors; and
- (75) Inventors/Applicants (*for US only*): BURKHOLZ, Jonathan, K. [US/US]; 2936 South Garden Circle, Salt Lake City, UT 84115 (US). HOANG, Minh, Q. [US/US]; 4905 Avant Circle, Taylorsville, UT 84118 (US).
- Published: — with international search report
- (88) Date of publication of the international search report: 3 January 2003

[Continued on next page]

(54) Title: SKIN DISINFECTANT APPLICATOR



(57) Abstract: The applicator for an anti-microbial prep solution of this invention includes a generally hollow handle having a closed proximal end and an open distal end, a foam pad attached to the hollow handle over the open distal end, an ampoule that holds the anti-microbial solution therein and a means for opening the ampoule.



WO 02/049708 A3



For two-letter codes and other abbreviations, refer to the "Guidance Notes on Codes and Abbreviations" appearing at the beginning of each regular issue of the PCT Gazette.

INTERNATIONAL SEARCH REPORT

International Application No
PCT/US 01/47752

A. CLASSIFICATION OF SUBJECT MATTER
IPC 7 A61M35/00 A45D34/04 B65D47/44

According to International Patent Classification (IPC) or to both national classification and IPC

B. FIELDS SEARCHED

Minimum documentation searched (classification system followed by classification symbols)
IPC 7 A61M A45D B65D

Documentation searched other than minimum documentation to the extent that such documents are included in the fields searched

Electronic data base consulted during the international search (name of data base and, where practical, search terms used)
EPO-Internal, WPI Data, PAJ

C. DOCUMENTS CONSIDERED TO BE RELEVANT

Category °	Citation of document, with indication, where appropriate, of the relevant passages	Relevant to claim No.
X A	US 5 658 084 A (WIRT DAVID F) 19 August 1997 (1997-08-19) column 3, line 11 -column 4, line 6; figures	1-3, 14 6, 12
X A	US 5 445 462 A (JOHNSON DOUGLAS P ET AL) 29 August 1995 (1995-08-29) column 6, line 39 -column 8, line 51; figures	1, 3, 5, 14 6, 12
X A	US 5 791 801 A (MILLER FREDERIC D) 11 August 1998 (1998-08-11) column 2, line 41 -column 4, line 29; figures	1-3, 5 6, 12, 14
A	US 5 538 353 A (DEHAVILLAND LESLEY M) 23 July 1996 (1996-07-23) abstract; figures	1, 6, 12, 14
	-/--	

Further documents are listed in the continuation of box C. Patent family members are listed in annex.

° Special categories of cited documents :

A document defining the general state of the art which is not considered to be of particular relevance	*T* later document published after the international filing date or priority date and not in conflict with the application but cited to understand the principle or theory underlying the invention
E earlier document but published on or after the international filing date	*X* document of particular relevance; the claimed invention cannot be considered novel or cannot be considered to involve an inventive step when the document is taken alone
L document which may throw doubts on priority claim(s) or which is cited to establish the publication date of another citation or other special reason (as specified)	*Y* document of particular relevance; the claimed invention cannot be considered to involve an inventive step when the document is combined with one or more other such documents, such combination being obvious to a person skilled in the art.
O document referring to an oral disclosure, use, exhibition or other means	*&* document member of the same patent family
P document published prior to the international filing date but later than the priority date claimed	

Date of the actual completion of the international search 29 August 2002	Date of mailing of the international search report 05/09/2002
---	--

Name and mailing address of the ISA European Patent Office, P.B. 5818 Patentlaan 2 NL - 2280 HV Rijswijk Tel. (+31-70) 340-2040, Tx. 31 651 epo nl, Fax: (+31-70) 340-3016	Authorized officer Kousouretas, I
--	--

INTERNATIONAL SEARCH REPORT

International Application No
PCT/US 01/47752

C.(Continuation) DOCUMENTS CONSIDERED TO BE RELEVANT		
Category *	Citation of document, with indication, where appropriate, of the relevant passages	Relevant to claim No.
A	US 4 957 385 A (WEINSTEIN JACK) 18 September 1990 (1990-09-18) abstract; figures -----	1,6,12, 14
A	US 6 039 488 A (KRAWCZYK DWAYNE M ET AL) 21 March 2000 (2000-03-21) abstract; figures -----	1,6,12, 14

INTERNATIONAL SEARCH REPORT

Information on patent family members

International Application No

PCT/US 01/47752

Patent document cited in search report	Publication date	Patent family member(s)	Publication date	
US 5658084	A	19-08-1997	US 5435660 A	25-07-1995
			US 5288159 A	22-02-1994
			CA 2110419 A1	05-06-1994
			DE 69308489 D1	10-04-1997
			DE 69308489 T2	09-10-1997
			DK 600508 T3	15-09-1997
			EP 0600508 A1	08-06-1994
			ES 2098638 T3	01-05-1997
			JP 6277297 A	04-10-1994
US 5445462	A	29-08-1995	AU 676072 B2	27-02-1997
			AU 7245394 A	28-02-1995
			CA 2168466 A1	09-02-1995
			EP 0712288 A1	22-05-1996
			JP 9500805 T	28-01-1997
			WO 9503734 A1	09-02-1995
US 5791801	A	11-08-1998	NONE	
US 5538353	A	23-07-1996	AT 202686 T	15-07-2001
			AU 695218 B2	06-08-1998
			AU 4249296 A	19-03-1997
			CA 2228942 A1	06-03-1997
			DE 69521631 D1	09-08-2001
			DE 69521631 T2	08-05-2002
			EP 0886486 A1	30-12-1998
			ES 2159651 T3	16-10-2001
			WO 9707729 A1	06-03-1997
US 4957385	A	18-09-1990	NONE	
US 6039488	A	21-03-2000	NONE	