



US00D577434S

(12) **United States Design Patent**  
**Stebler**

(10) **Patent No.:** **US D577,434 S**

(45) **Date of Patent:** **\*\* Sep. 23, 2008**

(54) **URINAL APPARATUS**

(76) Inventor: **Fabian Stebler**, Heimentalstrasse 53,  
5430 Wettingen (CH)

(\*\*) Term: **14 Years**

(21) Appl. No.: **29/274,991**

(22) Filed: **Jun. 15, 2007**

(51) **LOC (8) Cl.** ..... **24-04**

(52) **U.S. Cl.** ..... **D24/122**

(58) **Field of Classification Search** ..... D24/122,  
D24/123, 121, 224; D23/274, 302, 295,  
D23/309, 200; 4/114.1, 144.1-144.4, 459,  
4/460; 604/317, 318, 334, 329; 600/573;  
141/337; D7/700

See application file for complete search history.

(56) **References Cited**

**U.S. PATENT DOCUMENTS**

3,964,111	A *	6/1976	Packer	.....	4/144.4
4,108,222	A *	8/1978	Kaufman	.....	141/337
D279,924	S *	7/1985	Osgood	.....	D23/295
4,608,046	A *	8/1986	Towfigh	.....	4/144.3
D288,608	S *	3/1987	Dahlberg	.....	D24/122
4,815,151	A *	3/1989	Ball	.....	4/144.3
D302,042	S *	7/1989	McGovern et al.	.....	D24/122
4,986,823	A *	1/1991	Anderson et al.	.....	604/329
D343,447	S *	1/1994	Thaler et al.	.....	D23/295
5,408,703	A *	4/1995	Cicio	.....	4/144.2
5,450,632	A *	9/1995	Esswein et al.	.....	4/144.1
D371,601	S *	7/1996	Markles	.....	D24/122

D374,281	S *	10/1996	Markles	.....	D24/122
D379,225	S *	5/1997	Canahuate et al.	.....	D24/122
D383,949	S *	9/1997	Lown	.....	D7/700
D394,989	S *	6/1998	Block	.....	D7/700
D396,095	S *	7/1998	Tilton et al.	.....	D23/302
5,894,608	A *	4/1999	Birbara	.....	4/144.3
D422,674	S *	4/2000	Chrisco et al.	.....	D23/200
6,098,210	A *	8/2000	Brodén	.....	4/144.1
6,547,771	B2 *	4/2003	Robertson et al.	.....	604/317
D495,798	S *	9/2004	Gugliotta	.....	D24/122
D499,482	S *	12/2004	Gugliotta	.....	D24/122
2004/0181862	A1 *	9/2004	Brummer et al.	.....	4/144.4

\* cited by examiner

*Primary Examiner*—Louis S Zarfaz

*Assistant Examiner*—David G Muller

(74) *Attorney, Agent, or Firm*—Robert E. Bushnell, Esq.

(57) **CLAIM**

The ornamental design for a urinal apparatus, as shown and described.

**DESCRIPTION**

FIG. 1 is a front view of a urinal apparatus showing my new design;

FIG. 2 is a right side elevation view thereof;

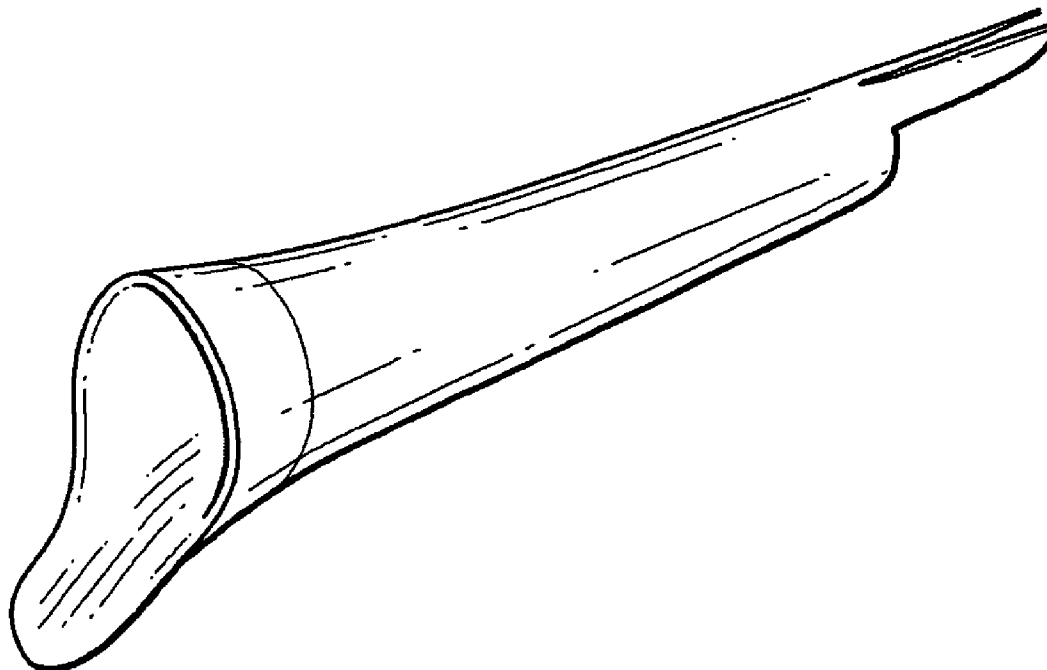
FIG. 3 is a left side elevation view thereof;

FIG. 4 is a top plan view thereof;

FIG. 5 is a bottom plan view thereof; and,

FIG. 6 is a perspective view thereof.

**1 Claim, 1 Drawing Sheet**



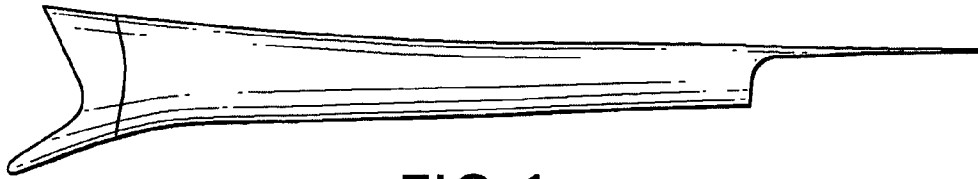


FIG. 1



FIG. 2



FIG. 3

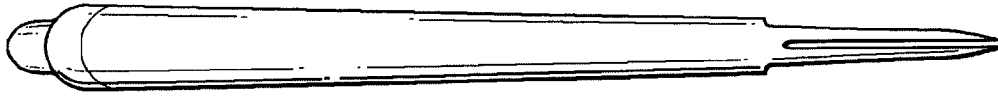


FIG. 4

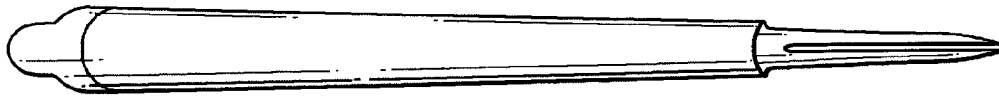


FIG. 5

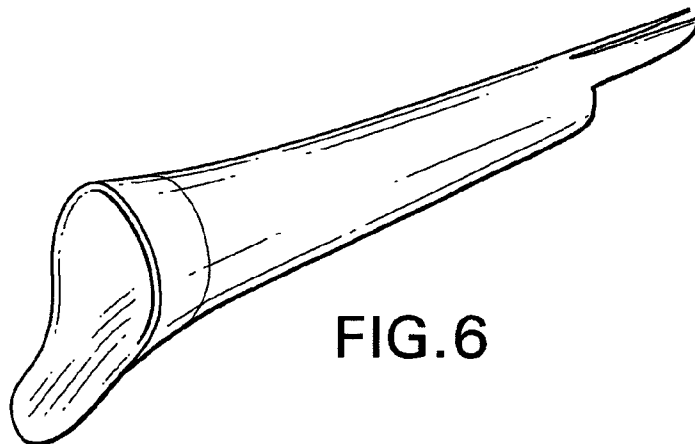


FIG. 6