



US00D896540S

(12) **United States Design Patent**
Schölander

(10) **Patent No.:** **US D896,540 S**

(45) **Date of Patent:** **** Sep. 22, 2020**

(54) **CHAIR**

A47C 7/16; A47D 1/00; A47D 1/002;
A47D 1/006; A47D 1/008; A47D 1/0081;
A47D 1/0083

(71) Applicant: **Panelterra Investments Ltd**, Nicosia (CY)

See application file for complete search history.

(72) Inventor: **Greger Schölander**, Zhuchai (CN)

(56) **References Cited**

(73) Assignee: **PANELTERRA INVESTMENTS LTD.**, Nicosia (CY)

U.S. PATENT DOCUMENTS

(**) Term: **15 Years**

D461,968	S	*	8/2002	Adams	D6/368
D501,732	S	*	2/2005	Hutton	D6/368
D605,867	S	*	12/2009	Lu	D6/366
D802,954	S	*	11/2017	Lin	D6/368
D845,018	S	*	4/2019	Scholander	D6/370
D853,739	S	*	7/2019	Kaimer	D6/333

(21) Appl. No.: **29/675,096**

* cited by examiner

(22) Filed: **Dec. 28, 2018**

Primary Examiner — Mary Ann Calabrese
(74) *Attorney, Agent, or Firm* — Cooper Legal Group, LLC; Ronald M. Kachmarik

Related U.S. Application Data

(62) Division of application No. 35/503,892, filed on Sep. 18, 2017 (U.S. filing date under 35 U.S.C. 384), and having an international filing date of Sep. 18, 2017, now Pat. No. Des. 845,018.

(57) **CLAIM**

The ornamental design for a chair, as shown and described.

(51) **LOC (12) Cl.** **06-01**
(52) **U.S. Cl.**

DESCRIPTION

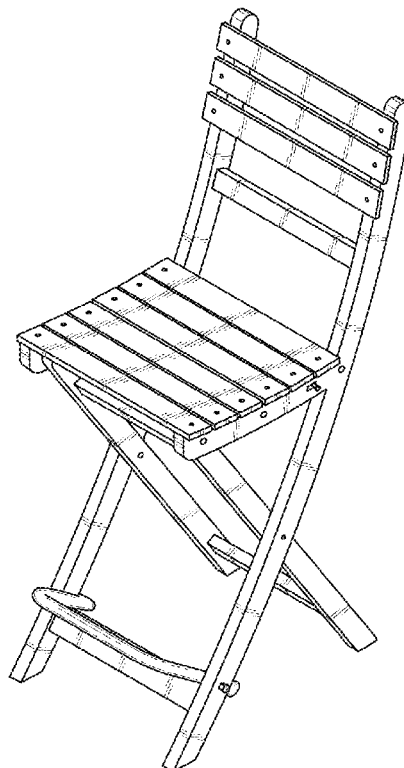
USPC **D6/368**; D6/370; D6/380

(58) **Field of Classification Search**

USPC D6/334–336, 338, 339, 368, 370, 372, D6/374, 379, 380
CPC .. A47C 3/00; A47C 3/023; A47C 4/00; A47C 4/024; A47C 4/027; A47C 4/04; A47C 4/08; A47C 4/14; A47C 5/00; A47C 5/04; A47C 5/12; A47C 7/00; A47C 7/02;

FIG. 1 is a perspective view for a chair, showing the new design;
FIG. 2 is a front view thereof;
FIG. 3 is a back view thereof;
FIG. 4 is a top view thereof;
FIG. 5 is a bottom view thereof;
FIG. 6 is a left side view thereof; and,
FIG. 7 is a right side view thereof.

1 Claim, 7 Drawing Sheets



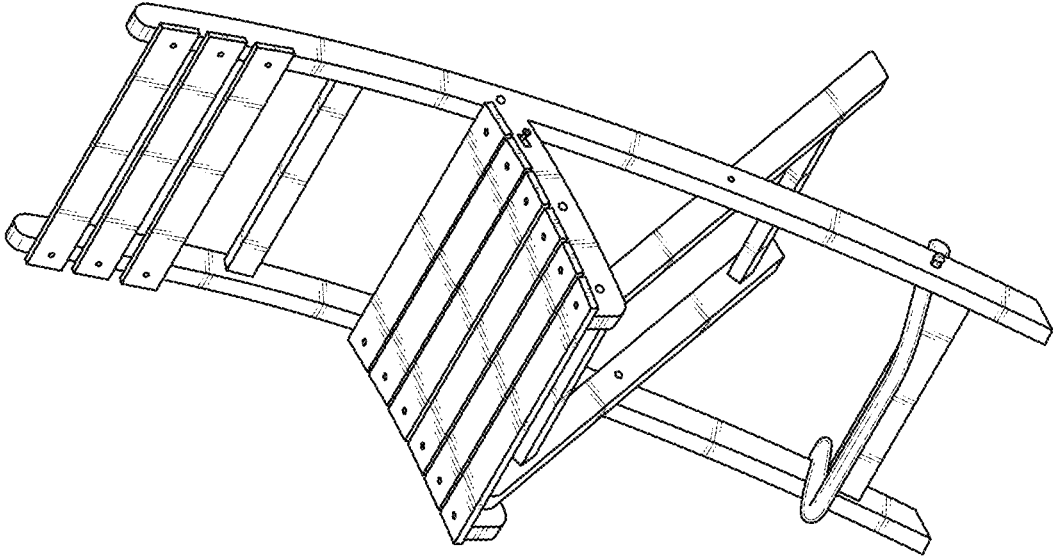


FIG. 1

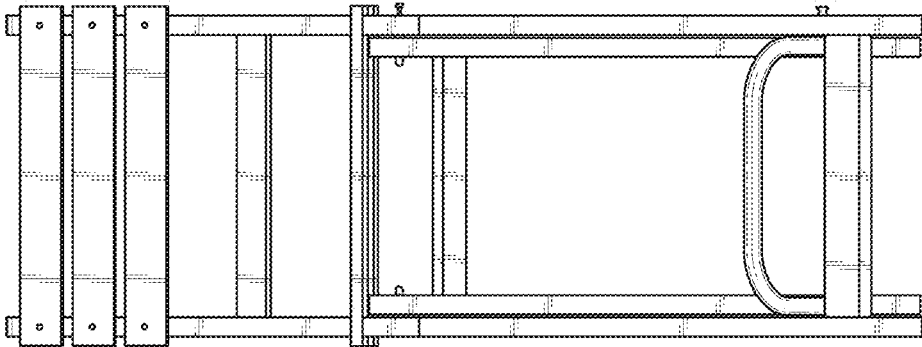


FIG. 2

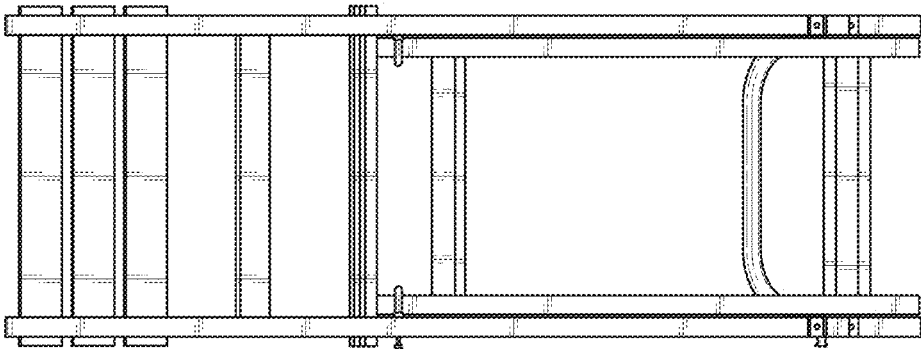


FIG. 3

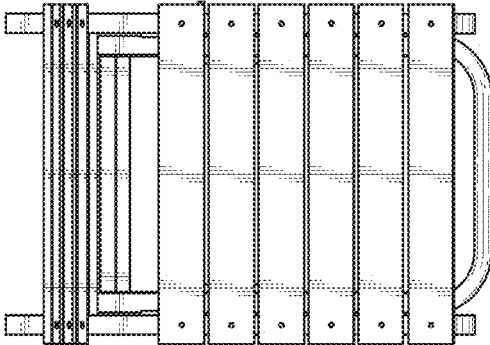


FIG. 4

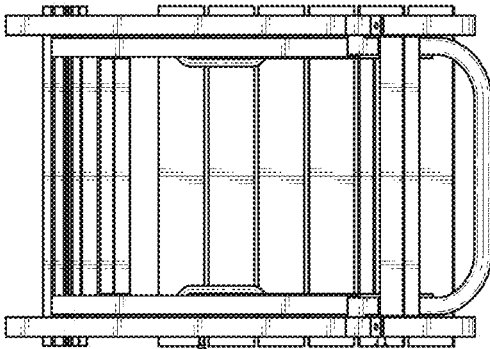


FIG. 5

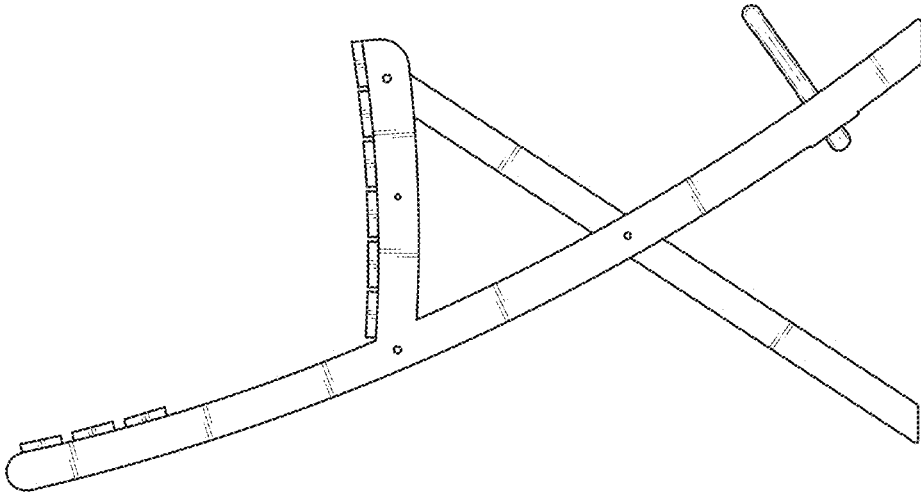


FIG. 6

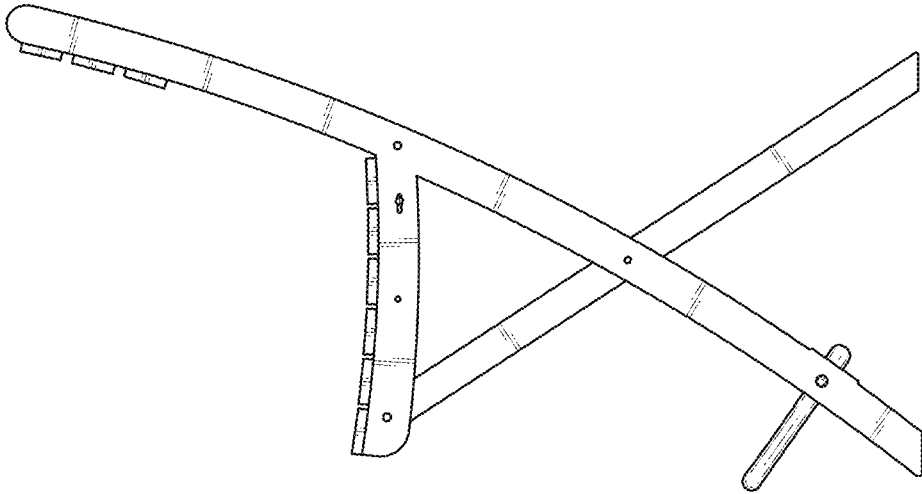


FIG. 7