

(19) World Intellectual Property Organization
International Bureau



(43) International Publication Date
3 January 2008 (03.01.2008)

PCT

(10) International Publication Number
WO 2008/000480 A3

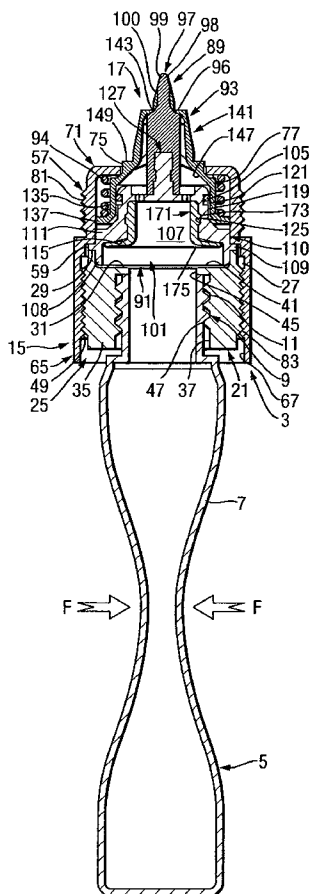
- (51) International Patent Classification:
A45D 34/04 (2006.01) B05B 11/00 (2006.01)
B65D 47/20 (2006.01)
- (21) International Application Number:
PCT/EP2007/005742
- (22) International Filing Date: 28 June 2007 (28.06.2007)
- (25) Filing Language: English
- (26) Publication Language: English
- (30) Priority Data:
0613057.9 30 June 2006 (30.06.2006) GB
- (71) Applicant (for all designated States except US): **NOVARTIS AG** [CH/CH]; Lichtstrasse 35, CH-4056 Basel (CH).
- (72) Inventors; and
- (75) Inventors/Applicants (for US only): **VEASEY, Robert, Frederick** [GB/GB]; 31 Lonsdale Road, Lillington, Leamington Spa, Warwickshire CV32 7EP (GB). **CROSS, John, David** [GB/GB]; 200 Allesley Old Road, Chapelfields, Coventry CV5 8GJ (GB). **PERKINS, Robert** [GB/GB];

91 Montgomery Road, Leamington Spa, Warwickshire CV31 2TG (GB).

- (74) Agent: **LEON, Susanna, Iris**; Novartis AG, Corporate Intellectual Property, CH-4002 Basel (CH).
- (81) Designated States (unless otherwise indicated, for every kind of national protection available): AE, AG, AL, AM, AT, AU, AZ, BA, BB, BG, BH, BR, BW, BY, BZ, CA, CH, CN, CO, CR, CU, CZ, DE, DK, DM, DO, DZ, EC, EE, EG, ES, FI, GB, GD, GE, GH, GM, GT, HN, HR, HU, ID, IL, IN, IS, JP, KE, KG, KM, KN, KP, KR, KZ, LA, LC, LK, LR, LS, LT, LU, LY, MA, MD, ME, MG, MK, MN, MW, MX, MY, MZ, NA, NG, NI, NO, NZ, OM, PG, PH, PL, PT, RO, RS, RU, SC, SD, SE, SG, SK, SL, SM, SV, SY, TJ, TM, TN, TR, TT, TZ, UA, UG, US, UZ, VC, VN, ZA, ZM, ZW.
- (84) Designated States (unless otherwise indicated, for every kind of regional protection available): ARIPO (BW, GH, GM, KE, LS, MW, MZ, NA, SD, SL, SZ, TZ, UG, ZM, ZW), Eurasian (AM, AZ, BY, KG, KZ, MD, RU, TJ, TM), European (AT, BE, BG, CH, CY, CZ, DE, DK, EE, ES, FI,

[Continued on next page]

(54) Title: APPLICATOR UNIT



(57) Abstract: An applicator unit (3) for use in applying a substance to a surface, the applicator unit comprising: a body unit (15) to which a pressurizable container (5) is in use attached; and an outlet unit (17) which includes an applicator element (89) to which substance is dispensed and a valve member (93) which is movably disposed relative to the applicator element between a first, closed configuration in which the outlet unit (17) is closed and a second, open configuration in which the outlet unit (17) is opened such as to establish a communication path between the container (5) and the applicator element (89), wherein the valve member (93) is configured to be moved to the open configuration on pressurisation of the container (5), thereby providing for dispensing of substance to the applicator element (89).

WO 2008/000480 A3



FR, GB, GR, HU, IE, IS, IT, LT, LU, LV, MC, MT, NL, PL,
PT, RO, SE, SI, SK, TR), OAPI (BF, BJ, CF, CG, CI, CM,
GA, GN, GQ, GW, ML, MR, NE, SN, TD, TG).

Published:

- *with international search report*
- *before the expiration of the time limit for amending the claims and to be republished in the event of receipt of amendments*

Declaration under Rule 4.17:

- *as to applicant's entitlement to apply for and be granted a patent (Rule 4.17(ii))*

(88) Date of publication of the international search report:

15 May 2008

INTERNATIONAL SEARCH REPORT

International application No

PCT/EP2007/005742

A. CLASSIFICATION OF SUBJECT MATTER
 INV. A45D34/04 B65D47/20 B05B11/00

According to International Patent Classification (IPC) or to both national classification and IPC

B. FIELDS SEARCHED

Minimum documentation searched (classification system followed by classification symbols)
 A45D B65D B05B

Documentation searched other than minimum documentation to the extent that such documents are included in the fields searched

Electronic data base consulted during the international search (name of data base and, where practical, search terms used)

EPO-Internal

C. DOCUMENTS CONSIDERED TO BE RELEVANT

Category*	Citation of document, with indication, where appropriate, of the relevant passages	Relevant to claim No.
X	FR 2 838 108 A (QUALIPAC) 10 October 2003 (2003-10-10) the whole document	1-14, 19-23
X	WO 01/95759 A (PROKOPOS) 20 December 2001 (2001-12-20) page 1, lines 3-5 page 7, lines 17-25 figure 11	1, 2, 11, 14, 19-23
X	WO 03/050010 A (PLASTOHM) 19 June 2003 (2003-06-19) the whole document	1-12, 14, 19-23
A	US 2005/025560 A1 (LIBERATORE) 3 February 2005 (2005-02-03) abstract; figures 1-19	5-8
	-/--	

 Further documents are listed in the continuation of Box C. See patent family annex.

* Special categories of cited documents :

- *A* document defining the general state of the art which is not considered to be of particular relevance
- *E* earlier document but published on or after the international filing date
- *L* document which may throw doubts on priority claim(s) or which is cited to establish the publication date of another citation or other special reason (as specified)
- *O* document referring to an oral disclosure, use, exhibition or other means
- *P* document published prior to the international filing date but later than the priority date claimed

- *T* later document published after the international filing date or priority date and not in conflict with the application but cited to understand the principle or theory underlying the invention
- *X* document of particular relevance; the claimed invention cannot be considered novel or cannot be considered to involve an inventive step when the document is taken alone
- *Y* document of particular relevance; the claimed invention cannot be considered to involve an inventive step when the document is combined with one or more other such documents, such combination being obvious to a person skilled in the art.
- *&* document member of the same patent family

Date of the actual completion of the international search

25 March 2008

Date of mailing of the international search report

31/03/2008

Name and mailing address of the ISA/

European Patent Office, P.B. 5818 Patentlaan 2
 NL - 2280 HV Rijswijk
 Tel. (+31-70) 340-2040, Tx. 31 651 epo nl,
 Fax: (+31-70) 340-3016

Authorized officer

Witkowska-Piela, A

INTERNATIONAL SEARCH REPORT

International application No
PCT/EP2007/005742

C(Continuation). DOCUMENTS CONSIDERED TO BE RELEVANT

Category*	Citation of document, with indication, where appropriate, of the relevant passages	Relevant to claim No.
X	US 5 310 112 A (MESHBERG) 10 May 1994 (1994-05-10) column 2, line 12 - column 3, line 61 figures 1-4	1, 15, 16
A	----- US 5 529 213 A (MACK) 25 June 1996 (1996-06-25) column 4, line 16 - column 8, line 55 figures 1-6 -----	15, 16

INTERNATIONAL SEARCH REPORT

International application No.
PCT/EP2007/005742

Box No. II Observations where certain claims were found unsearchable (Continuation of item 2 of first sheet)

This international search report has not been established in respect of certain claims under Article 17(2)(a) for the following reasons:

1. Claims Nos.: 24, 25
because they relate to subject matter not required to be searched by this Authority, namely:
Claims 24 and 25 are not drafted in terms of technical features, contrary to the requirements of Rules 6.2(a) and 6.3(a), and therefore cannot be searched (see PCT Guidelines 5.04 and 5.10)
2. Claims Nos.: 24, 25
because they relate to parts of the international application that do not comply with the prescribed requirements to such an extent that no meaningful international search can be carried out, specifically:
see FURTHER INFORMATION sheet PCT/ISA/210
3. Claims Nos.:
because they are dependent claims and are not drafted in accordance with the second and third sentences of Rule 6.4(a).

Box No. III Observations where unity of invention is lacking (Continuation of item 3 of first sheet)

This International Searching Authority found multiple inventions in this international application, as follows:

see additional sheet

1. As all required additional search fees were timely paid by the applicant, this international search report covers allsearchable claims.
2. As all searchable claims could be searched without effort justifying an additional fees, this Authority did not invite payment of additional fees.
3. As only some of the required additional search fees were timely paid by the applicant, this international search report covers only those claims for which fees were paid, specifically claims Nos.:
4. No required additional search fees were timely paid by the applicant. Consequently, this international search report is restricted to the invention first mentioned in the claims; it is covered by claims Nos.:

Remark on Protest

- The additional search fees were accompanied by the applicant's protest and, where applicable, the payment of a protest fee.
- The additional search fees were accompanied by the applicant's protest but the applicable protest fee was not paid within the time limit specified in the invitation.
- No protest accompanied the payment of additional search fees.

FURTHER INFORMATION CONTINUED FROM PCT/ISA/ 210

Continuation of Box II.1

Claims Nos.: 24, 25

Claims 24 and 25 are not drafted in terms of technical features, contrary to the requirements of Rules 6.2(a) and 6.3(a), and therefore cannot be searched (see PCT Guidelines 5.04 and 5.10)

Continuation of Box II.2

Claims Nos.: 24,25

Claims 24 and 25 shall not rely on references to the description or drawings Rule 6.2(a). These claims are not drafted in terms of technical features, contrary to the requirements of Rule 6.3(a), and therefore cannot be searched (see PCT Guidelines 5.10 and 5.04).

The applicant's attention is drawn to the fact that claims relating to inventions in respect of which no international search report has been established need not be the subject of an international preliminary examination (Rule 66.1(e) PCT). The applicant is advised that the EPO policy when acting as an International Preliminary Examining Authority is normally not to carry out a preliminary examination on matter which has not been searched. This is the case irrespective of whether or not the claims are amended following receipt of the search report or during any Chapter II procedure. If the application proceeds into the regional phase before the EPO, the applicant is reminded that a search may be carried out during examination before the EPO (see EPO Guideline C-VI, 8.2), should the problems which led to the Article 17(2)PCT declaration be overcome.

FURTHER INFORMATION CONTINUED FROM PCT/ISA/ 210

This International Searching Authority found multiple (groups of) inventions in this international application, as follows:

1. claims: 1-14,19-23

applicator tip

2. claims: 15-18

outlet unit including a support member with a venting
aperture

INTERNATIONAL SEARCH REPORT

Information on patent family members

International application No PCT/EP2007/005742

Patent document cited in search report	A	Publication date	Patent family member(s)	Publication date
FR 2838108	A	10-10-2003	NONE	
WO 0195759	A	20-12-2001	AU 7369901 A US 2003152411 A1	24-12-2001 14-08-2003
WO 03050010	A	19-06-2003	AT 367318 T AU 2002364620 A1 EP 1453738 A2 ES 2289181 T3 FR 2833579 A1 JP 2005511430 T US 2005067440 A1	15-08-2007 23-06-2003 08-09-2004 01-02-2008 20-06-2003 28-04-2005 31-03-2005
US 2005025560	A1	03-02-2005	US 2007025807 A1	01-02-2007
US 5310112	A	10-05-1994	NONE	
US 5529213	A	25-06-1996	NONE	