



(51) International Patent Classification:

E21B 43/16 (2006.01) E21B 43/24 (2006.01)
E21B 43/18 (2006.01) E21B 43/30 (2006.01)

(21) International Application Number:

PCT/US2014/036839

(22) International Filing Date:

5 May 2014 (05.05.2014)

(25) Filing Language:

English

(26) Publication Language:

English

(30) Priority Data:

13/986,464 6 May 2013 (06.05.2013) US

(72) Inventor; and

(71) Applicant : GRIMES, Paul [US/US]; 777 Eldridge, Suite 200, Houston, TX 77079 (US).

(74) Agent: OSTERRIEDER, Erik J.; Matthews Lawson, PLLC, 2000 Bering Drive, Suite 700, Houston, TX 77057 (US).

HN, HR, HU, ID, IL, IN, IR, IS, JP, KE, KG, KN, KP, KR, KZ, LA, LC, LK, LR, LS, LT, LU, LY, MA, MD, ME, MG, MK, MN, MW, MX, MY, MZ, NA, NG, NI, NO, NZ, OM, PA, PE, PG, PH, PL, PT, QA, RO, RS, RU, RW, SA, SC, SD, SE, SG, SK, SL, SM, ST, SV, SY, TH, TJ, TM, TN, TR, TT, TZ, UA, UG, US, UZ, VC, VN, ZA, ZM, ZW.

(84) Designated States (unless otherwise indicated, for every kind of regional protection available): ARIPO (BW, GH, GM, KE, LR, LS, MW, MZ, NA, RW, SD, SL, SZ, TZ, UG, ZM, ZW), Eurasian (AM, AZ, BY, KG, KZ, RU, TJ, TM), European (AL, AT, BE, BG, CH, CY, CZ, DE, DK, EE, ES, FI, FR, GB, GR, HR, HU, IE, IS, IT, LT, LU, LV, MC, MK, MT, NL, NO, PL, PT, RO, RS, SE, SI, SK, SM, TR), OAPI (BF, BJ, CF, CG, CI, CM, GA, GN, GQ, GW, KM, ML, MR, NE, SN, TD, TG).

Declarations under Rule 4.17:

— of inventorship (Rule 4.17(iv))

Published:

— with international search report (Art. 21(3))

(88) Date of publication of the international search report:

23 July 2015

(81) Designated States (unless otherwise indicated, for every kind of national protection available): AE, AG, AL, AM, AO, AT, AU, AZ, BA, BB, BG, BH, BN, BR, BW, BY, BZ, CA, CH, CL, CN, CO, CR, CU, CZ, DE, DK, DM, DO, DZ, EC, EE, EG, ES, FI, GB, GD, GE, GH, GM, GT,

(54) Title: SYSTEMS AND METHODS FOR ENHANCED RECOVERY OF HYDROCARBONACEOUS FLUIDS

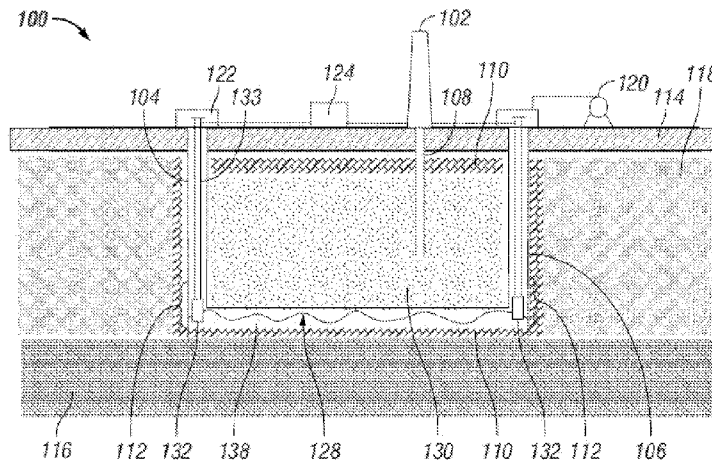


FIG. 1A

(57) Abstract: A method for enhanced recovery of hydrocarbonaceous fluids, the method including the steps of creating a plurality of wellbores in a subterranean formation, whereby one or more of the plurality of wellbores may include a directionally drilled portion with solution disposed therein, and an electrode operatively connected with a power source. Other steps include generating an electrical field within the subterranean formation, thereby causing an electrochemical reaction to produce a gas from the solution, such that the gas mixes with hydrocarbonaceous fluids present in the formation and increases pressure within at least one of the plurality of wellbores, the subterranean formation, and combinations thereof, thereby enhancing recovery of the hydrocarbonaceous fluid.



INTERNATIONAL SEARCH REPORT

International application No.

PCT/US 14/36839

| A. CLASSIFICATION OF SUBJECT MATTER IPC(8) - E21B 43/16, 43/18, 43/24, 43/30 (2015.01) CPC - E21B 42/18, 43/16 According to International Patent Classification (IPC) or to both national classification and IPC | | |
|--|--|--|
| B. FIELDS SEARCHED Minimum documentation searched (classification system followed by classification symbols) IPC(8) - E21B 43/16, 43/18, 43/24, 43/30 (2015.01) CPC - E21B 42/18, 43/16 Documentation searched other than minimum documentation to the extent that such documents are included in the fields searched CPC - E21B 43/24, 43/2401, 43/25, 43/30, 43/305 Electronic data base consulted during the international search (name of data base and, where practicable, search terms used) Patbase; Google Patents; Google Scholar; Google Web; Espacenet; Search Terms: bore*, brine*, conduct*, coplanar*, directional*, drill*, electrochemical*, electrode*, electroly*, fluid*, gas*, horizontal*, increas*, lateral*, multi*, nonproduc*, plural*, pressur*, rais*, second*, solution*, spac*, volt*, water*, well* | | |
| C. DOCUMENTS CONSIDERED TO BE RELEVANT | | |
| Category* | Citation of document, with indication, where appropriate, of the relevant passages | Relevant to claim No. |
| X --- Y | US 2011/0277992 A1 (Grimes) 17 November 2011 (17.11.2011), Fig. 1A; para [0033]-[0037], [0043] | 1-4, 6-10, 13-17, 20-25 and 28 --- 5, 11-12, 18-19 and 26-27 |
| Y | US 5,803,171 A (McCaffery et al.) 08 September 1998 (08.09.1998), col. 4, ln. 55-62 | 5 |
| Y | WO 2007/086867 A1 (Montgomery et al.) 02 August 2007 (02.08.2007), Fig. 6 | 11-12, 18-19 and 26-27 |
| A | US 4,199,025 A (Carpenter) 22 April 1980 (22.04.1980), Figs. 1-3, col. 6, ln. 1-54 | 1-28 |
| A | US 1,784,214 A (Workman) 09 December 1930 (09.12.1930), Fig. 1, pg. 1, ln. 54-75 | 1-28 |
| A | US 2007/0102152 A1 (Forgeron) 10 May 2007 (10.05.2007), Figs. 4-5b, para [0096]-[0098] | 1-28 |
| <input type="checkbox"/> Further documents are listed in the continuation of Box C. <input type="checkbox"/> | | |
| * Special categories of cited documents: "A" document defining the general state of the art which is not considered to be of particular relevance "E" earlier application or patent but published on or after the international filing date "L" document which may throw doubts on priority claim(s) or which is cited to establish the publication date of another citation or other special reason (as specified) "O" document referring to an oral disclosure, use, exhibition or other means "P" document published prior to the international filing date but later than the priority date claimed "T" later document published after the international filing date or priority date and not in conflict with the application but cited to understand the principle or theory underlying the invention "X" document of particular relevance; the claimed invention cannot be considered novel or cannot be considered to involve an inventive step when the document is taken alone "Y" document of particular relevance; the claimed invention cannot be considered to involve an inventive step when the document is combined with one or more other such documents, such combination being obvious to a person skilled in the art "&" document member of the same patent family | | |
| Date of the actual completion of the international search 06 February 2015 (06.02.2015) | | Date of mailing of the international search report 23 MAR 2015 |
| Name and mailing address of the ISA/US Mail Stop PCT, Attn: ISA/US, Commissioner for Patents P.O. Box 1450, Alexandria, Virginia 22313-1450 Facsimile No. 571-273-3201 | | Authorized officer: Lee W. Young PCT Helpdesk: 571-272-4300 PCT OSP: 571-272-7774 |