



(12) **DEMANDE DE BREVET CANADIEN  
CANADIAN PATENT APPLICATION**

(13) **A1**

(86) Date de dépôt PCT/PCT Filing Date: 2019/09/28  
(87) Date publication PCT/PCT Publication Date: 2020/07/02  
(85) Entrée phase nationale/National Entry: 2021/06/22  
(86) N° demande PCT/PCT Application No.: CN 2019/108786  
(87) N° publication PCT/PCT Publication No.: 2020/134270  
(30) Priorité/Priority: 2018/12/27 (CN201822224087.7)

(51) Cl.Int./Int.Cl. *F16M 13/00* (2006.01),  
*A47B 23/04* (2006.01), *F16M 11/38* (2006.01)  
(71) Demandeur/Applicant:  
SOLUTION EXPERT 33 INTERNATIONAL CO., LTD,  
CN  
(72) Inventeur/Inventor:  
LIN, BENTIAN, CN  
(74) Agent: MARKS & CLERK

(54) Titre : CADRE DE SOUTIEN POUR EQUIPEMENT MOBILE ET POUR EQUIPEMENT INFORMATIQUE  
(54) Title: MOBILE DEVICE AND COMPUTER DEVICE STAND

1

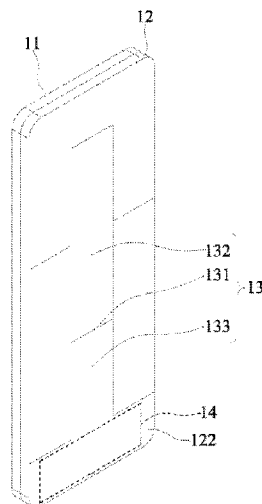


图1

(57) **Abrégé/Abstract:**

A support frame (1) for mobile equipment and computer equipment, the frame being used for the mobile equipment and the computer equipment (2) and comprising: a second sheet body (11), a first sheet body (12) and a support sheet (13). One end of the first sheet body is fixedly connected to one end of the second sheet body; a hole (121) is formed in the middle of the first sheet body; the first sheet body is further provided with a supporting part (122), and the supporting part is located at the end of the first sheet body which is fixedly connected to the second sheet body; the supporting sheet is arranged in the hole; a folding line (131) is provided on the supporting sheet, and the supporting sheet is divided into a first part (132) and a second part (133) by means of said folding line; and said second part is connected to the supporting part. The second sheet body, the first sheet body and the support sheet are operated and deformed into a structure capable of supporting the mobile equipment and the computer equipment, so that the mobile equipment and the computer equipment may be set up on a flat surface such as a desktop, and a user does not need to continuously hold the mobile equipment and the computer equipment.

## ABSTRACT

A mobile device and computer device stand used for a mobile device/ computer device includes a second platy body, a first platy body, and a support piece. One end of the first platy body is connected to one end of the second platy body. The middle portion of the first platy body is formed with a hole. A support portion is disposed on the first platy body. The support portion is located at one end of the first platy body opposite to the end connected to the second platy body. The support piece is disposed in the hole. The support piece has a fold line. The support piece is divided into a first portion and a second portion by the fold line. The second portion is connected to the support portion.

5

# **MOBILE DEVICE AND COMPUTER DEVICE STAND**

## **FIELD OF THE INVENTION**

[0001] The present invention relates to a support device, and more particularly to a mobile device and computer device stand for a mobile device and computer device. The mobile device and computer device stand can be operated with ease.

## **BACKGROUND OF THE INVENTION**

[0002] Hand-held mobile devices and computer devices, such as mobile phones, tablet computers and the like, bring great convenience. These devices become indispensable for our daily life. However, if it is necessary to use a mobile device or computer device to watch TV or videos for a long time, the user needs to hold the mobile device or computer device all the time, which is inconvenient for use. There are mobile device and computer device protective cases that can be folded into stands. But, the size of the protective case is greater than that of the mobile device and computer device. It is not easy to operate and is inconvenient for use.

[0003] Accordingly, the inventor of the present invention has devoted himself based on his many years of practical experiences to solve these problems.

## **SUMMARY OF THE INVENTION**

[0004] The primary object of the present invention is to provide a mobile device and computer device stand for a mobile device and computer device to stand on a plane. The mobile device and computer device stand is small in size and is easy to operate.

[0005] In order to achieve the above object, the present invention discloses a mobile device and computer device stand used for a mobile device/ computer device. The mobile device and computer device stand comprises a second platy body, a first platy body, and a support piece. One side of the second platy body is connected to the back of

the mobile device and computer device. One end of one side of the first platy body is connected to one end of another side of the second platy body. The first platy body is bendable relative to the second platy body. The middle portion of the first platy body is formed with a hole. A support portion is disposed on the first platy body. The support  
 5 portion is located at one end of the first platy body opposite to the end connected to the second platy body. The support piece is disposed in the hole. The support piece has a fold line. The support piece is divided into a first portion and a second portion by the fold line. The second portion is connected to the support portion, so that the support piece is bendable relative to the first platy body.

10 [0006] In some embodiments, when the first platy body and the support piece are in a bent state, the first portion passes through the hole to form an intersecting state with the first platy body. When the second portion and the support portion are placed on a plane, the mobile device and computer device stands on the plane in an inclined manner.

15 [0007] In some embodiments, when the first platy body and the support piece are in a bent state, the first portion passes through the hole to form an intersecting state with the first platy body, and the support portion leans against the first platy body. When the fold line of the support piece is placed against a plane, the mobile device and computer device stands on the plane in an inclined manner.

20 [0008] In the above embodiments, preferably, a magnetic member is provided in each of the support portion and the second platy body, so that the support portion can be attached to the second platy body when no support is needed.

[0009] Besides, the present invention discloses another mobile device and computer device stand. The size of this mobile device and computer device stand is about the size of a general tablet computer. The mobile device and computer device stand is

attached to the back of a large mobile device and computer device for supporting the large mobile device on a plane.

[0010] In some embodiments, the support piece has a first fold line and a second fold line. The support piece is divided into a first portion, a second portion and a third portion by the first fold line and the second fold line. The third portion is connected to the support portion. In use, this embodiment has two bent modes. In a first bent mode, when the first platy body and the support piece are in a bent state, the first portion, the second portion or the third portion passes through the hole to form at least one intersecting state with the first platy body. When the third portion and the support portion are placed on a plane, the mobile device and computer device stands on the plane in an inclined manner. In a second bent mode, when the first platy body and the support piece are in a bent state, the second fold line leans against the support portion so that the mobile device and computer device stands on the plane in an inclined manner.

[0011] Preferably, the first platy body and the second platy body are made of a flexible material.

[0012] Preferably, the support piece is integrally formed with the first platy body.

[0013] In this way, by folding the second platy body, the first platy body and the support piece into a structure that can support the mobile device and computer device, the mobile device and computer device can stand on a plane such as a desktop, so that there is no need for the user to hold the mobile device and computer device all the time. Moreover, through the second platy body and the first platy body small in size and disposed at the back of the mobile device and computer device, it is easy and convenient to control the operation for folding the stand.

**BRIEF DESCRIPTION OF THE DRAWINGS**

[0014] FIG. 1 is a perspective view of a first embodiment of the present invention;

[0015] FIG. 2A is a first schematic view of the first embodiment of the present invention when in use;

[0016] FIG. 2B is a second schematic view of the first embodiment of the present invention when in use;

[0017] FIG. 2C is a third schematic view of the first embodiment of the present invention when in use;

[0018] FIG. 2D is a fourth schematic view of the first embodiment of the present invention when in use;

[0019] FIG. 3A is a first schematic view of another implementation of the first embodiment of the present invention when in use;

[0020] FIG. 3B is a second schematic view of another implementation of the first embodiment of the present invention when in use;

[0021] FIG. 4A is a third schematic view of another implementation of the first embodiment of the present invention when in use;

[0022] FIG. 4B is a fourth schematic view of another implementation of the first embodiment of the present invention when in use;

[0023] FIG. 5A is a perspective view of a second embodiment of the present invention;

[0024] FIG. 5B is a schematic view of the second embodiment of the present invention when in use;

[0025] FIG. 5C is another schematic view of the second embodiment of the present invention when in use; and

[0026] FIG. 5D is a schematic view of another implementation of the second embodiment of the present invention when in use.

5           **DETAILED DESCRIPTION OF THE PREFERRED EMBODIMENTS**

[0027] Embodiments of the present invention will now be described, by way of example only, with reference to the accompanying drawings.

[0028] FIG. 1 is a perspective view of a first embodiment of the present invention. FIGS. 2A-2D are schematic views of the first embodiment of the present invention when  
 10 in use. As shown in the figures, the present invention discloses a mobile device and computer device stand 1 used for a mobile device/ computer device 2. The mobile device and computer device stand 1 comprises a second platy body 11, a first platy body 12, and a support piece 13. One side of the second platy body 11 is connected to the back of the mobile device and computer device 2. One end of one side of the first platy body 12 is  
 15 connected to one end of another side of the second platy body 11. The first platy body 12 is bendable relative to the second platy body 11. The middle portion of the first platy body 12A is formed with a hole 121. A support portion 122 is disposed on the first platy body 12. The support portion 122 is located at one end of the first platy body 12 opposite to the end connected to the second platy body 11. The support piece 13 is disposed in the hole  
 20 121. The support piece 13 has a fold line 131. The support piece 13 is divided into a first portion 132 and a second portion 133 by the fold line 131. The second portion 133 is connected to the support portion 122, so that the support piece 13 is bendable relative to the first platy body 12.

[0029] FIG. 2A shows an implementation of this embodiment. In use, the user controls the first platy body 12 and the support piece 13 to be in a bent state. The first portion 132 passes through the hole 121 to form an intersecting state with the first platy body 12 (please refer to FIG. 2B), and then the second portion 133 and the support portion 122 are placed on a plane. At this time, the mobile device and computer device 2 stands on the plane in an inclined manner. Moreover, as shown in FIG. 2, the length of the first portion 132 is greater than that of the second portion 133, so that the angle of inclination of the mobile device and computer device 2 when placed on the plane is relatively greater for the user to touch the mobile device and computer device 2 easily.

[0030] The first platy body 12 is made of a flexible material, such as plastic, elastic metal sheet, leather, and the like. In this embodiment, the material of the second platy body 11 and the first platy body 12 is leather. The support piece 13 is integrally formed with the first platy body 12. In this way, the second platy body 11 and the first platy body 12 have a certain deformation, and the integral feature enables the user to operate the first platy body 12 and the support piece 13 easily. Moreover, a magnetic member 14 is provided in each of the support portion 122 and the second platy body 11. Through the magnetic members 14, the first platy body 12 can be closely attached to the second platy body 11 when there is no need to support the mobile device and computer device 2. The first platy body 12 and the support piece 13 will not be separate from each other randomly to be in a bent state, thereby improving the practicality of the invention. As shown in FIG. 2B, the user may install a plurality of mobile device and computer device stands 1 on the mobile device and computer device 2 to increase the stability of the mobile device and computer device 2.

[0031] FIG. 3A and FIG. 3B are schematic views of another implementation of the first embodiment of the present invention when in use. As shown in the figures, this implementation provides another support mode compared to the above implementation. In use, the user controls the first platy body 12 and the support piece 13 to be in a bent state. The first portion 132 passes through the hole 121 to form an intersecting state with the first platy body 12, and then the support portion 122 leans against the first platy body 12. Finally, the fold line 131 of the support piece 13 is placed against a plane, and the mobile device and computer device 2 stands on the plane in an inclined manner.

[0032] It can be seen from FIG. 2A and FIG. 3B that the mobile device and computer device 2 is placed on the plane in an inclined manner, allowing the mobile device and computer device 2 to have different angles of inclination. Through the same structure but in different bent modes, the user can choose the angle of inclination of the mobile device and computer device 2 to further enhance the diversity and practicality of the invention.

[0033] FIG. 4A is a perspective view of another implementation of the first embodiment of the present invention. FIG. 4B is a schematic view of another implementation of the first embodiment of the present invention when in use. As shown in the figures, the size of the mobile device and computer device stand is about the size of a general tablet computer. The mobile device and computer device stand is attached to the back of a large mobile device and computer device for supporting the large mobile device on a plane.

[0034] FIG. 5A is a perspective view of a second embodiment of the present invention. FIGS. 5B-5D are schematic views of the second embodiment of the present invention when in use. As shown in the figures, in this embodiment, the support piece 13

has a first fold line 1311 and a second fold line 1312. The support piece 13 is divided into a first portion 132, a second portion 133 and a third portion 134 by the first fold line 1311 and the second fold line 1312. The third portion 134 is connected to the support portion 122. In use, the embodiment has two bent modes. FIG. 5B and FIG. 5C illustrate a first bent mode of the embodiment. As shown in FIG. 5B, when the first platy body 12 and the support piece 13 are in a bent state, the first portion 132, the second portion 133 or the third portion 134 passes through the hole 121 to form at least one intersecting state with the first platy body 12 (as shown in FIG. 5C). When the third portion 134 and the support portion 122 are placed on a plane, the mobile device and computer device 2 stands on the plane in an inclined manner. FIG. 5D illustrates a second bent mode of the embodiment. As shown in FIG. 5D, when the first platy body 12 and the support piece 13 are in a bent state, the second fold line 1312 leans against the support portion 122 so that the mobile device and computer device 2 stands on a plane in an inclined manner.

[0035] In summary, through the relative arrangement of the second platy body 11, the first platy body 12 and the support piece 13 of the present invention, the mobile device and computer device 2 can stand on a plane, which is convenient for use. Moreover, the mobile device and computer device stand 1 is small in size, and the operability of the structural deformation is improved, so that the user can use the mobile device and computer device stand 1 more conveniently, further increasing the convenience of use.

[0036] It is worth mentioning that the second platy body 11 of the invention is not an indispensable technical feature. In some embodiments, the mobile device and computer device stand 1 of the present invention comprises a first platy body and a support piece. The middle portion of the first platy body is formed with a hole. A support portion is disposed on the first platy body. The support portion is located at one end of the

first platy body. The support piece is disposed in the hole. The support piece has at least one fold line. The support piece is bendable relative to the first platy body. One end of the support piece is connected to the support portion. In this embodiment, a portion of one side of the first platy body is connected to the back of the mobile device and computer  
5 device, and the other portion is bendable relative to the mobile device and computer device. The other technical features are the same as the first embodiment or the second embodiment of the present invention.

[0037] Although particular embodiments of the present invention have been described in detail for purposes of illustration, various modifications and enhancements  
10 may be made without departing from the spirit and scope of the present invention. Accordingly, the present invention is not to be limited except as by the appended claims.

**WHAT IS CLAIMED IS:**

1. A mobile device and computer device stand for a mobile device/ computer device, comprising:

a first platy body, a middle portion of the first platy body being formed with a hole, a  
 5 support portion being disposed on the first platy body, the support portion being located at one end of the first platy body; and

a support piece, disposed in the hole, the support piece having at least one fold line so that the support piece is bendable relative to the first platy body, one end of the support piece being connected to the support portion.

10 2. The mobile device and computer device stand as claimed in claim 1, further comprising a second platy body, one side of the second platy body being connected to a back of the mobile device and computer device; one end of one side of the first platy body being connected to one end of another side of the second platy body, the first platy body being bendable relative to the second platy body, the support portion being located at one  
 15 end opposite to the end connected to the second platy body.

3. The mobile device and computer device stand as claimed in claim 2, wherein the support piece is divided into a first portion and a second portion by the fold line, and the second portion is connected to the support portion.

4. The mobile device and computer device stand as claimed in claim 2, wherein  
 20 the support piece has a first fold line and a second fold line, the support piece is divided into a first portion, a second portion and a third portion by the first fold line and the second fold line, and the third portion is connected to the support portion.

5. The mobile device and computer device stand as claimed in claim 3, wherein when the first platy body and the support piece are in a bent state, the first portion passes

through the hole to form an intersecting state with the first platy body, when the second portion and the support portion are placed on a plane, the mobile device and computer device stands on the plane in an inclined manner.

6. The mobile device and computer device stand as claimed in claim 3, wherein  
5 when the first platy body and the support piece are in a bent state, the first portion passes through the hole to form an intersecting state with the first platy body, and the support portion leans against the first platy body, when the fold line of the support piece is placed against a plane, the mobile device and computer device stands on the plane in an inclined manner.

10 7. The mobile device and computer device stand as claimed in claim 4, wherein when the first platy body and the support piece are in a bent state, the first portion, the second portion or the third portion passes through the hole to form at least one intersecting state with the first platy body, when the third portion and the support portion are placed on a plane, the mobile device and computer device stands on the plane in an  
15 inclined manner.

8. The mobile device and computer device stand as claimed in claim 4, wherein when the first platy body and the support piece are in a bent state, the first fold line leans against the support portion.

9. The mobile device and computer device stand as claimed in any one of claims  
20 2-5, wherein a magnetic member is provided in each of the support portion and the second platy body.

10. The mobile device and computer device stand as claimed in claim 6, wherein the first platy body and the second platy body are made of a flexible material.

11. The mobile device and computer device stand as claimed in claim 6, wherein the support piece is integrally formed with the first platy body.

1

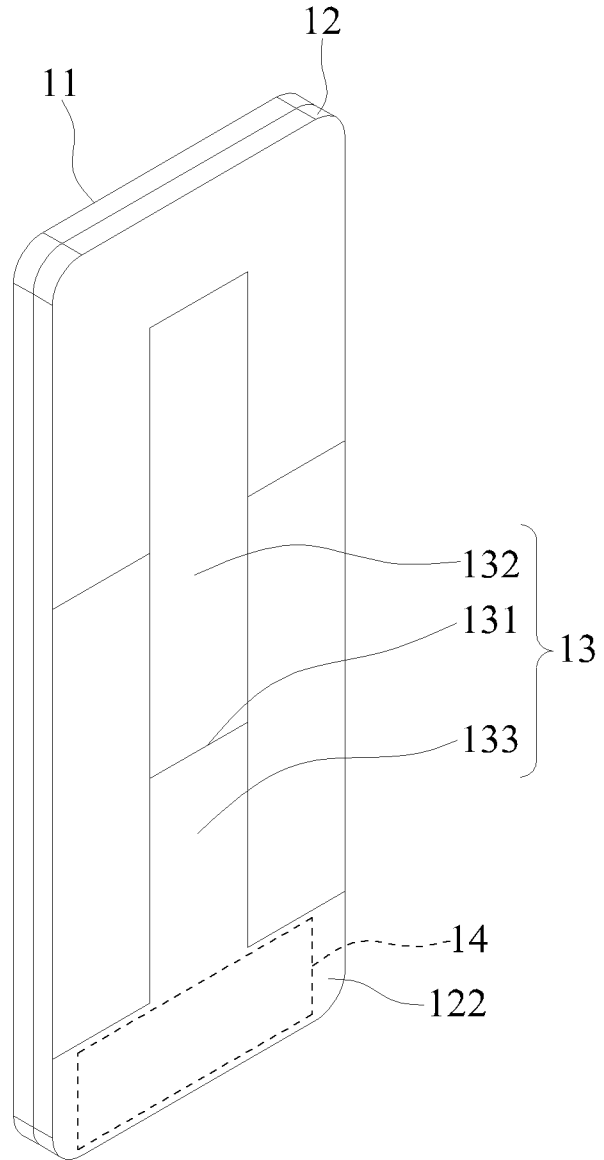


Fig. 1

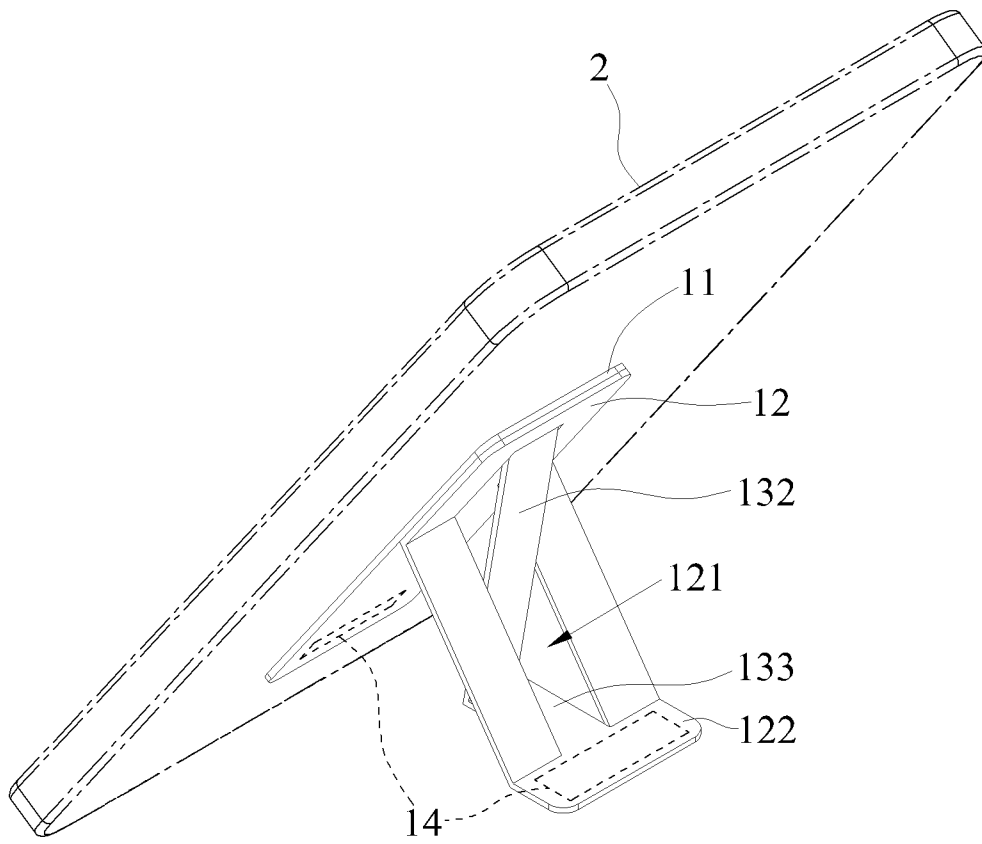


Fig. 2A

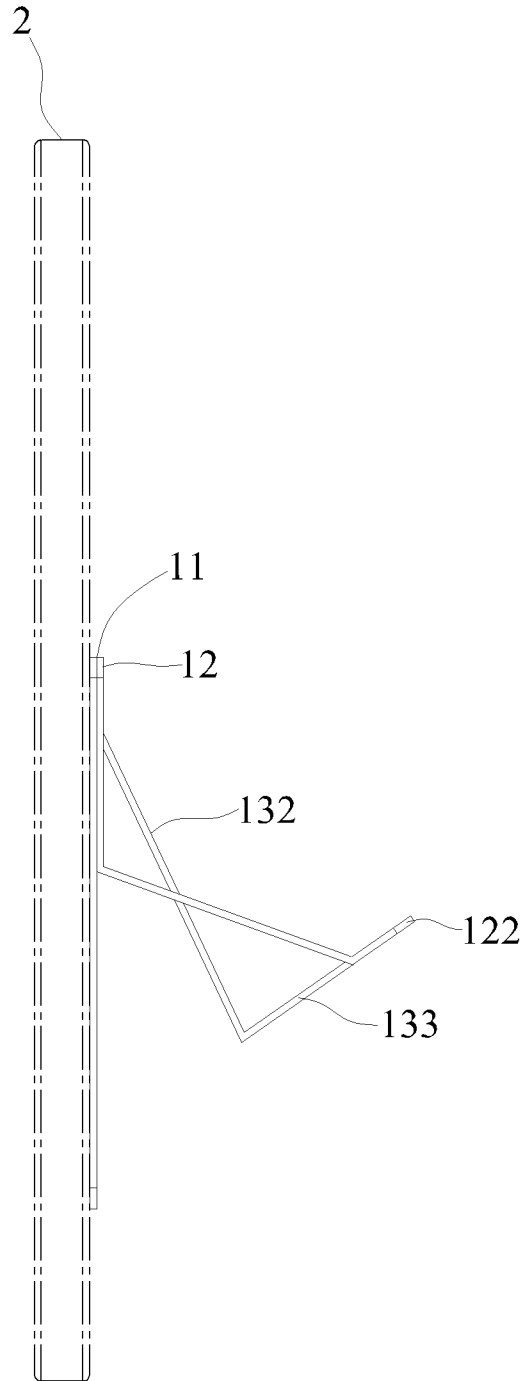


Fig. 2B

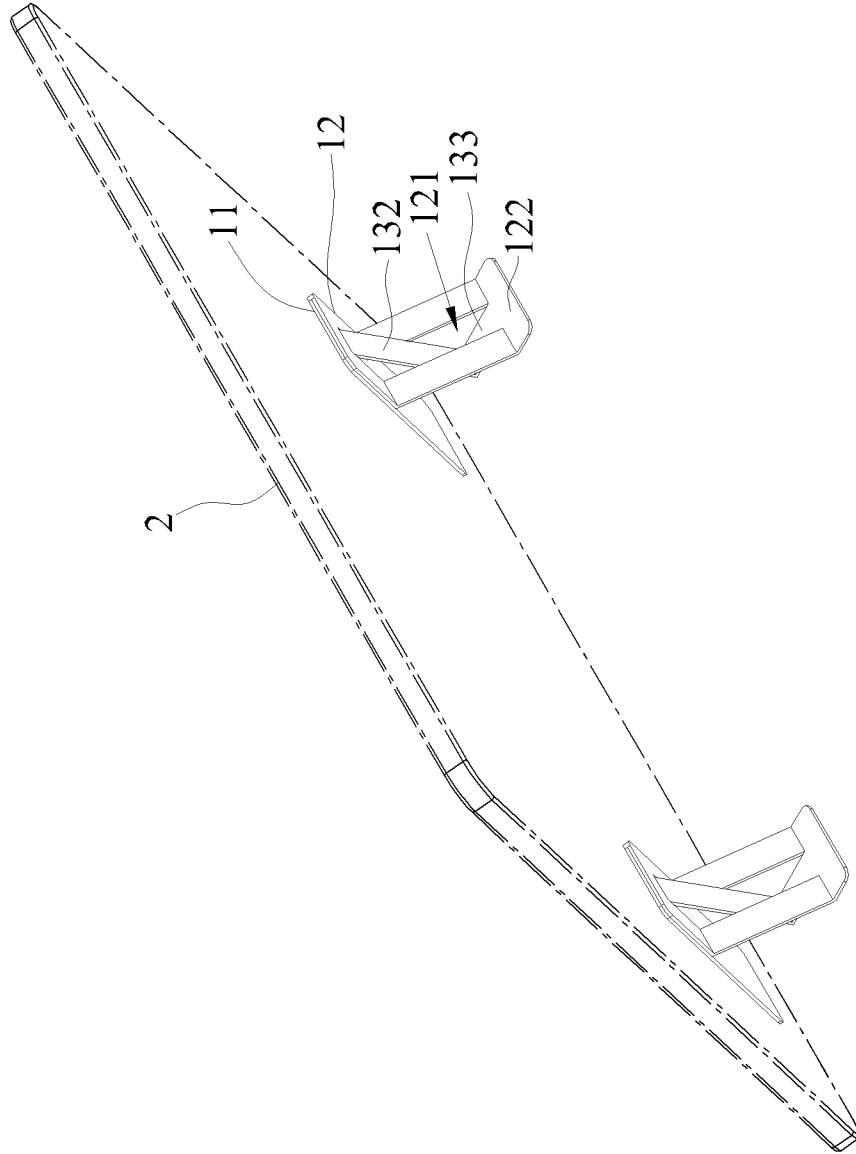


Fig. 2C

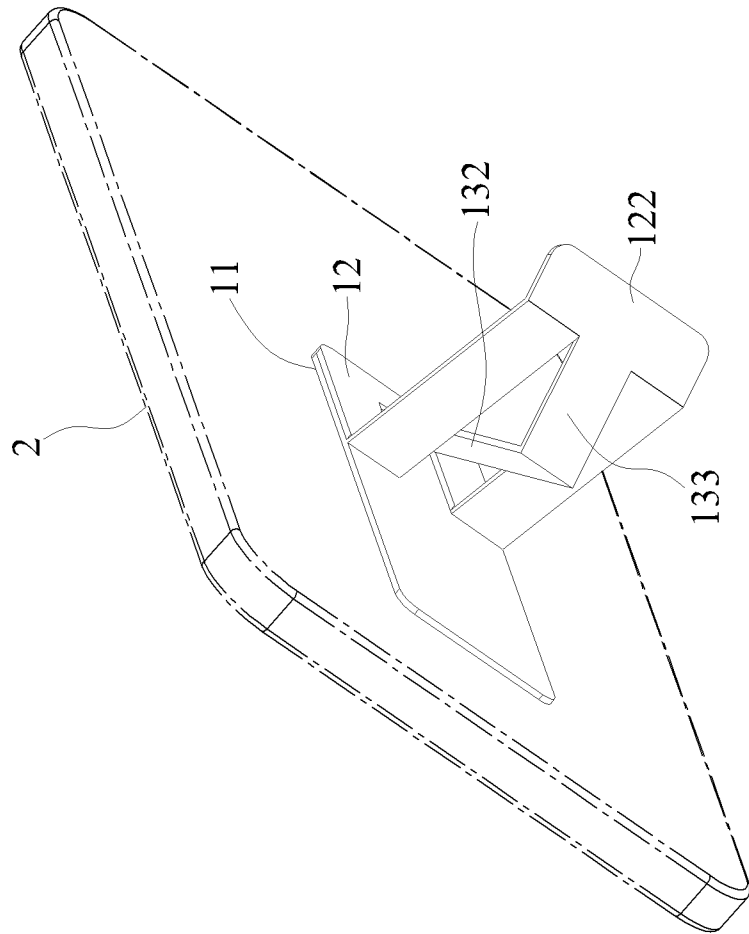


Fig. 2D

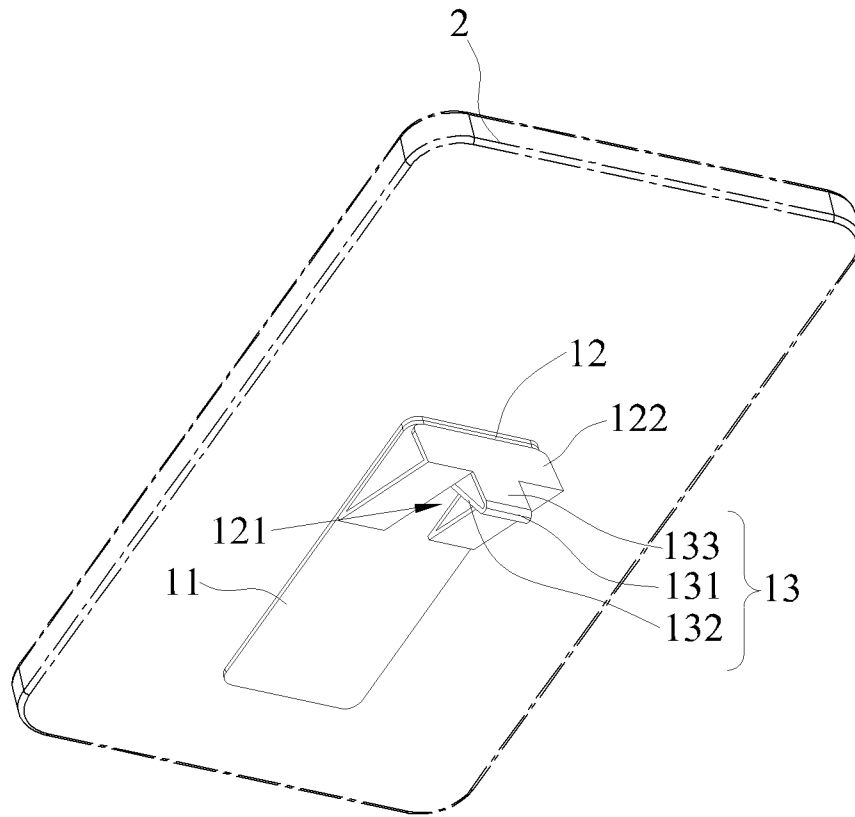


Fig. 3A

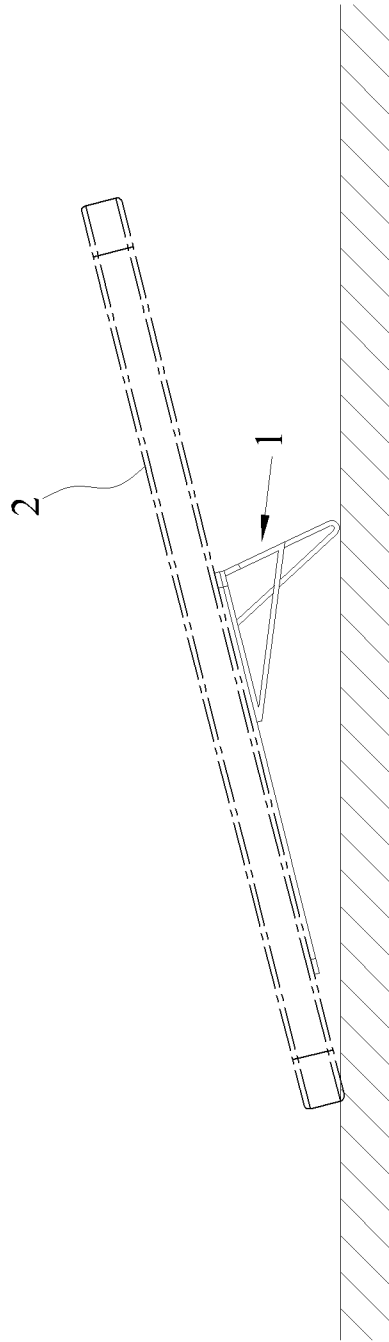


Fig. 3B

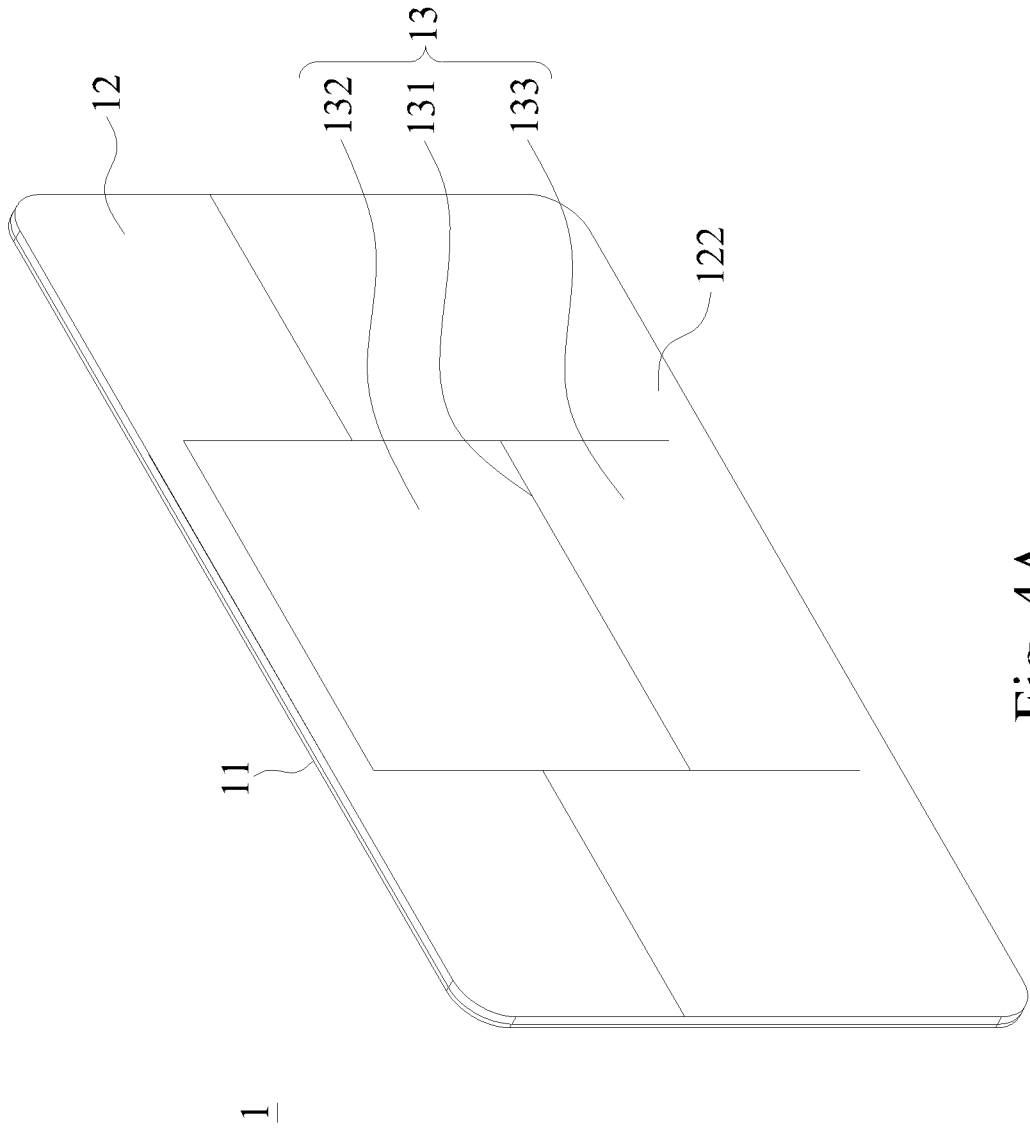


Fig. 4A

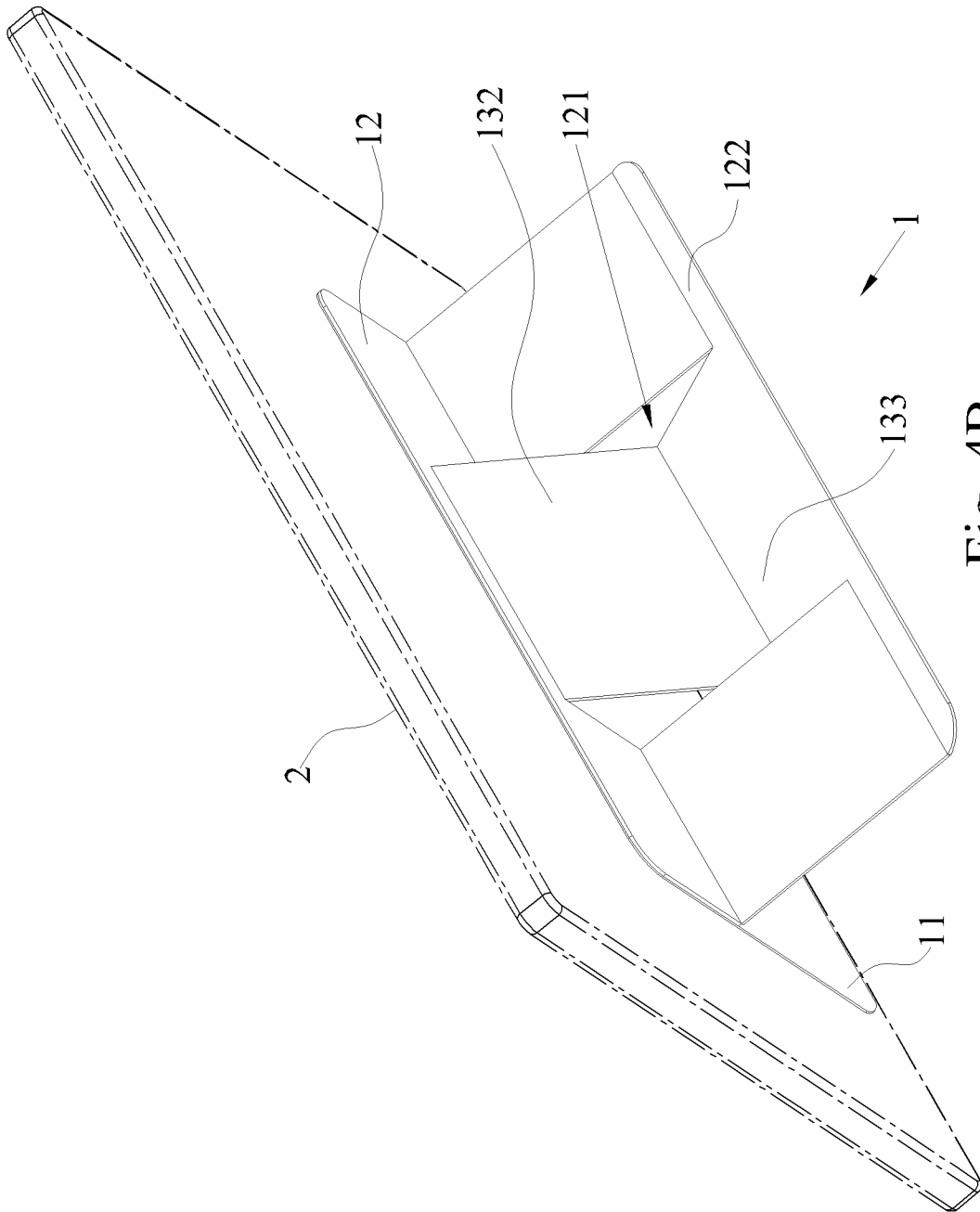


Fig. 4B

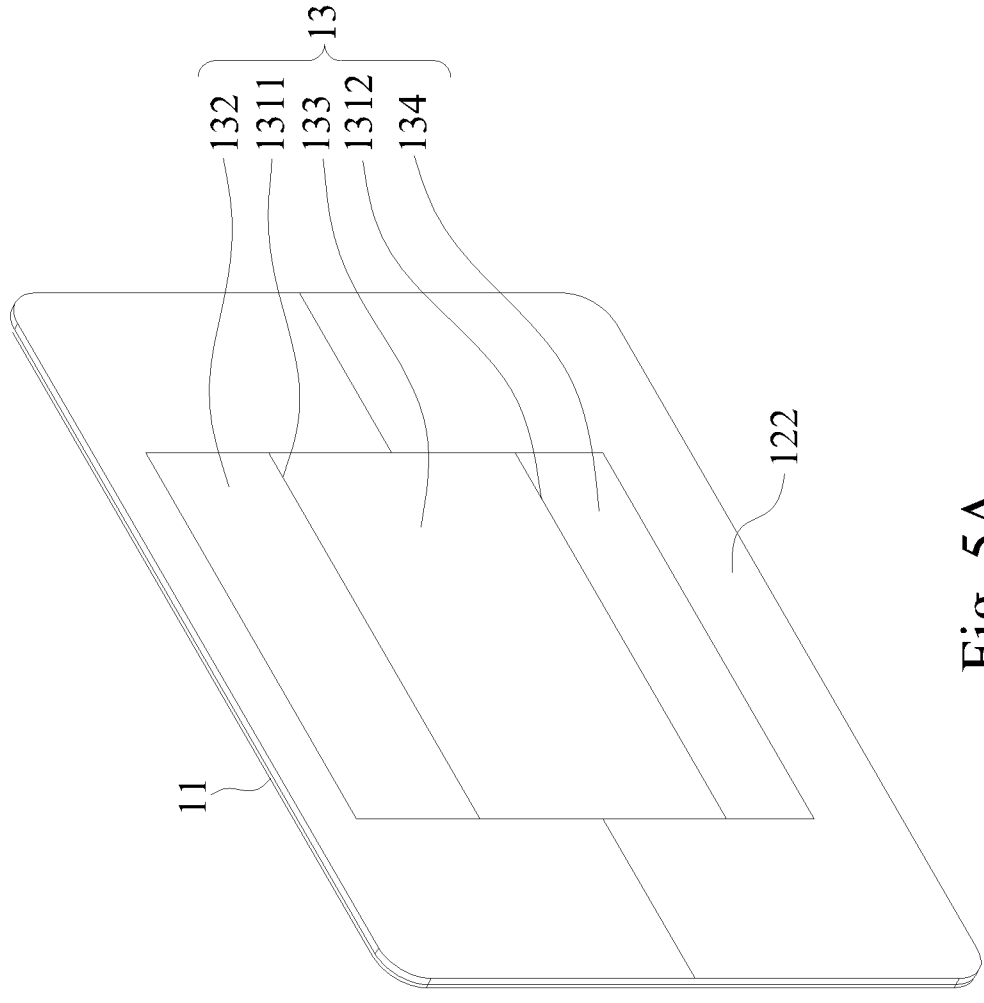


Fig. 5A

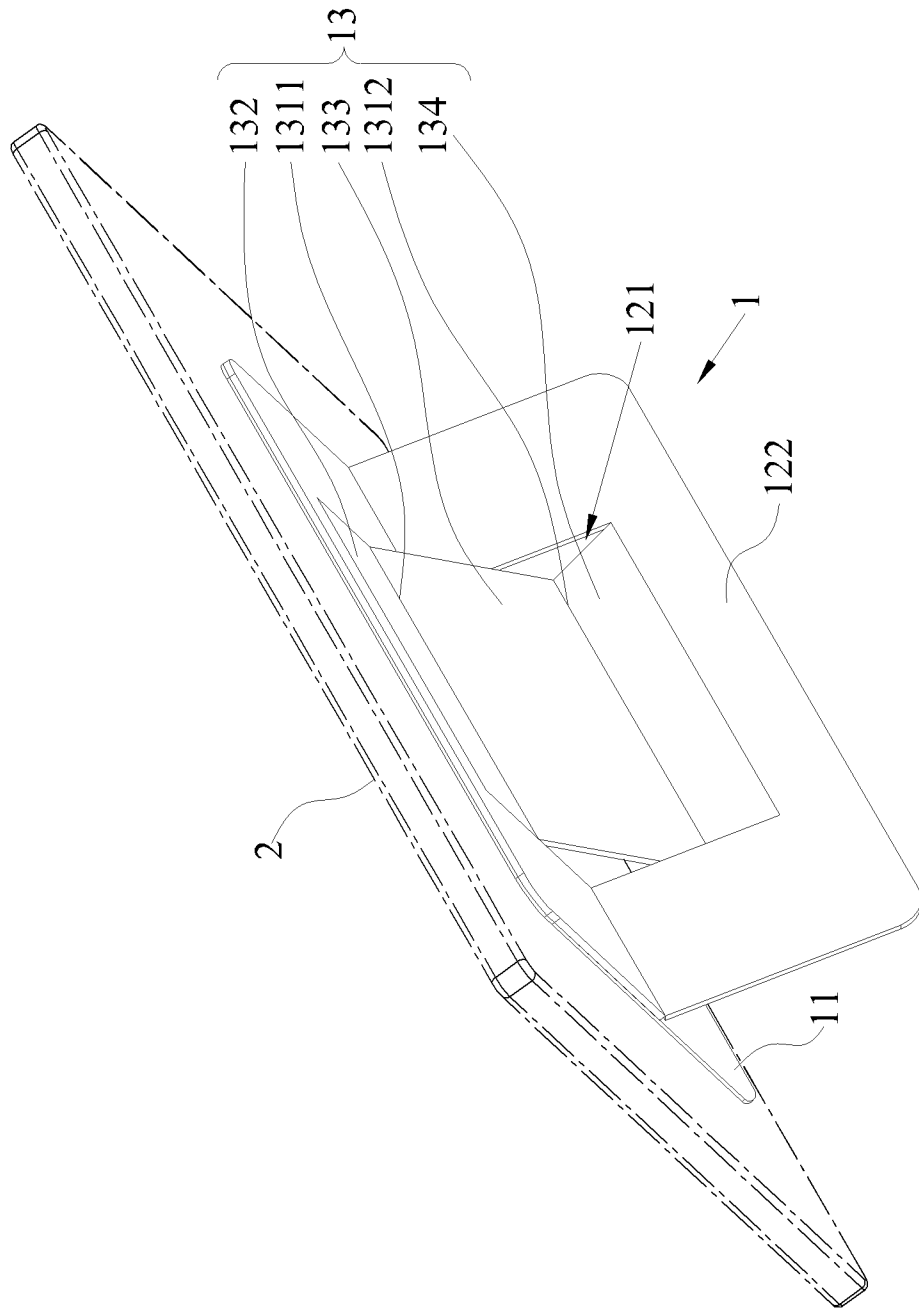


Fig. 5B

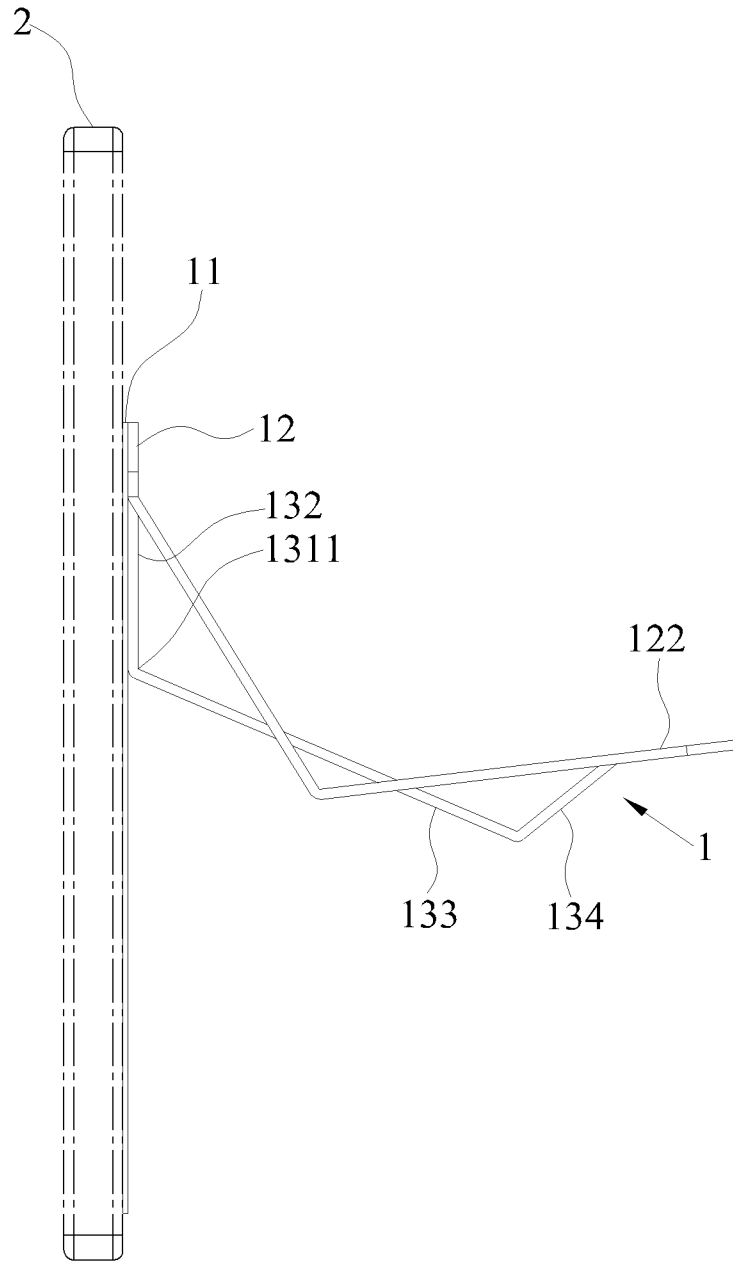


Fig. 5C

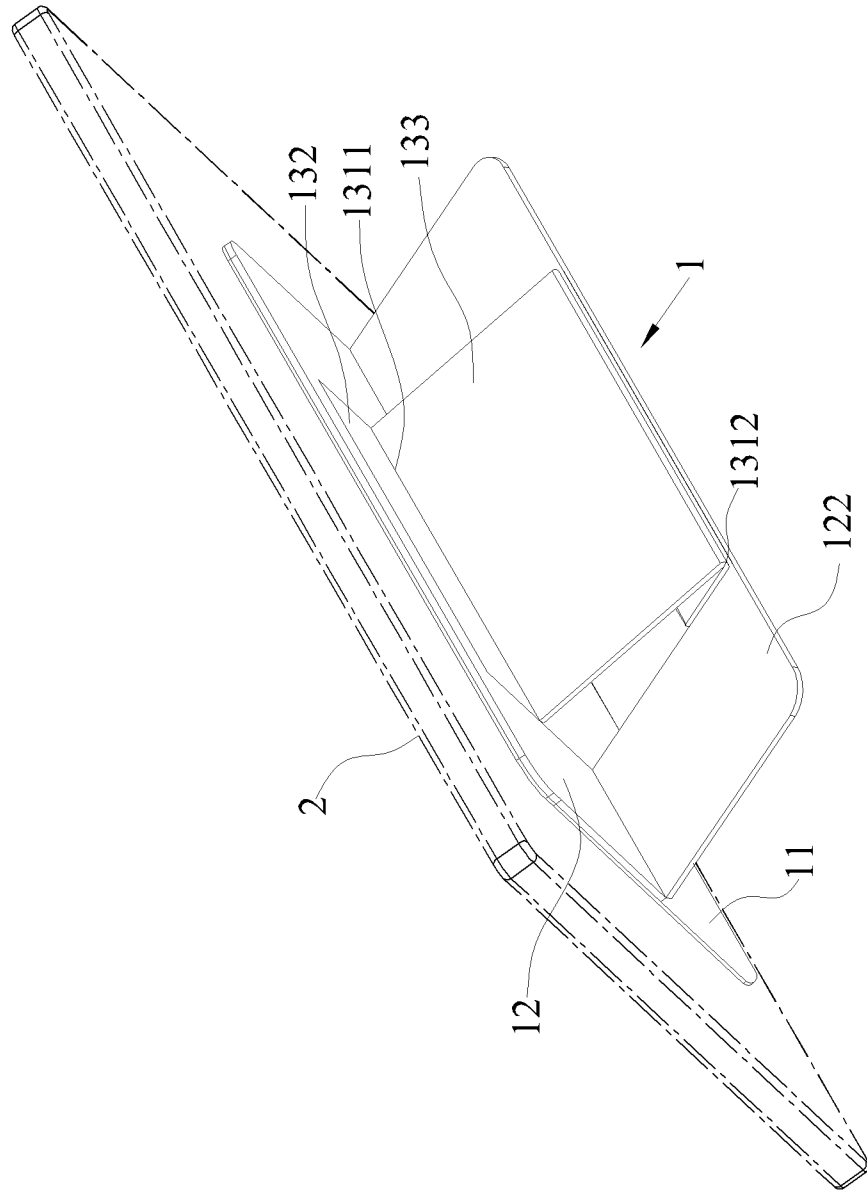


Fig. 5D

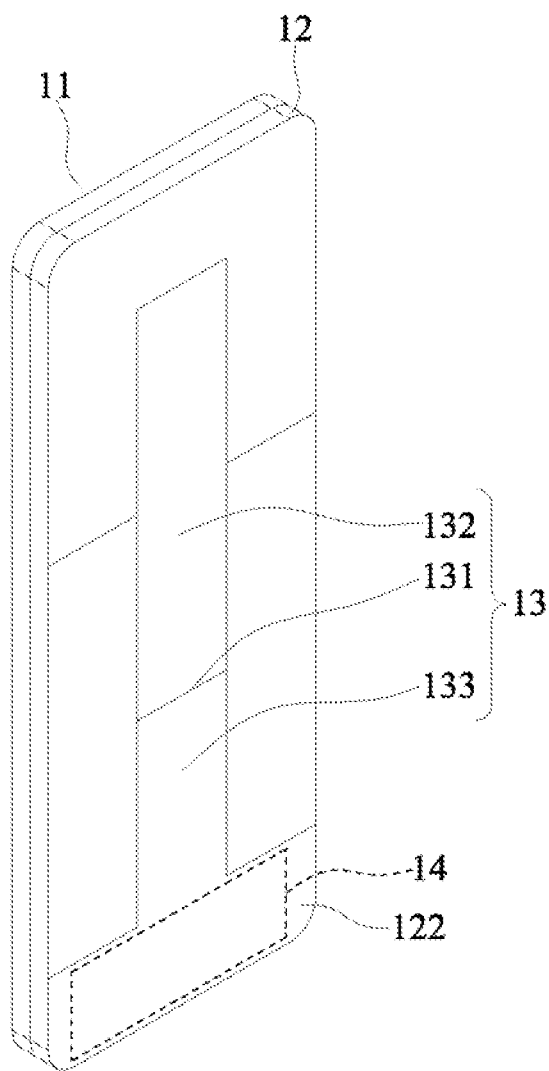


图1