



US00D717050S

(12) **United States Design Patent**
Henry et al.

(10) **Patent No.:** **US D717,050 S**

(45) **Date of Patent:** **** Nov. 11, 2014**

- (54) **PORTABLE CHARGING STORAGE CASE**
- (71) Applicant: **3M Innovative Properties Company**,
St. Paul, MN (US)
- (72) Inventors: **Paul D. Henry**, Carmel, IN (US);
Michael J. Pescetto, Spring, TX (US);
Mark A. Yoder, Carmel, IN (US)
- (73) Assignee: **3M Innovative Properties Company**,
St. Paul, MN (US)

D514,808 S	2/2006	Morine	
D516,309 S	3/2006	Richardson	
D516,807 S	3/2006	Richardson	
D577,195 S	9/2008	Stevens	
D578,129 S	* 10/2008	Weber	D14/440
D579,202 S	10/2008	Grenier	
D650,173 S	12/2011	Lima	
D694,521 S	* 12/2013	Robinson et al.	D3/273
2011/0223864 A1	9/2011	Wai	
2011/0287402 A1	11/2011	Sanford	
2013/0220841 A1	8/2013	Yang	

(**) Term: **14 Years**

(21) Appl. No.: **29/472,931**

(22) Filed: **Nov. 18, 2013**

(51) **LOC (10) Cl.** **03-01**

(52) **U.S. Cl.**

USPC **D3/321**

(58) **Field of Classification Search**

USPC D3/228, 273, 276, 279, 283, 284, 285,
D3/289, 294, 301, 318, 319, 321, 902;
190/18 A, 100, 103, 104, 107, 109,
190/111-113, 115, 116, 119

See application file for complete search history.

(56) **References Cited**

U.S. PATENT DOCUMENTS

3,414,793 A	12/1968	Jasperson	
4,379,988 A	4/1983	Mattatall	
D321,985 S	* 12/1991	Ward	D3/282
D413,440 S	* 9/1999	Schurman	D3/282
D418,678 S	* 1/2000	Robson	D3/282
D419,297 S	1/2000	Richardson	
D419,767 S	2/2000	Richardson	
D419,768 S	2/2000	Richardson	
D440,402 S	* 4/2001	Tiramani et al.	D3/282
D472,384 S	4/2003	Richardson	
6,646,864 B2	11/2003	Richardson	
6,698,608 B2	3/2004	Parker	
D513,123 S	12/2005	Richardson	

FOREIGN PATENT DOCUMENTS

DE	20314626	6/2004
DE	102007037027	2/2009
WO	2013/025191	2/2013

* cited by examiner

Primary Examiner — Deanna L Pratt

Assistant Examiner — Lilyana Bekic

(74) *Attorney, Agent, or Firm* — Kristofor L. Storvick

(57) **CLAIM**

The ornamental design for a portable charging storage case, as shown and described.

DESCRIPTION

FIG. 1 is a top perspective view showing the new design for a portable charging storage case.

FIG. 2 is a top view thereof;

FIG. 3 is a bottom view thereof;

FIG. 4 is a front view thereof;

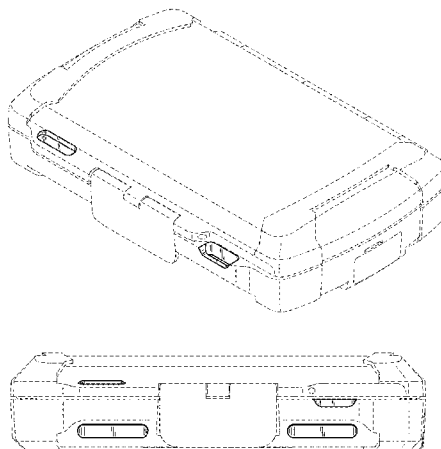
FIG. 5 is a back view thereof;

FIG. 6 is a left side view thereof; and,

FIG. 7 is a right side view thereof.

The broken lines in the drawings illustrate portions of the portable charging storage case which form no part of the claimed design. Shading is provided to illustrate contour only and is not an indication of texture, gloss, etc.

1 Claim, 3 Drawing Sheets



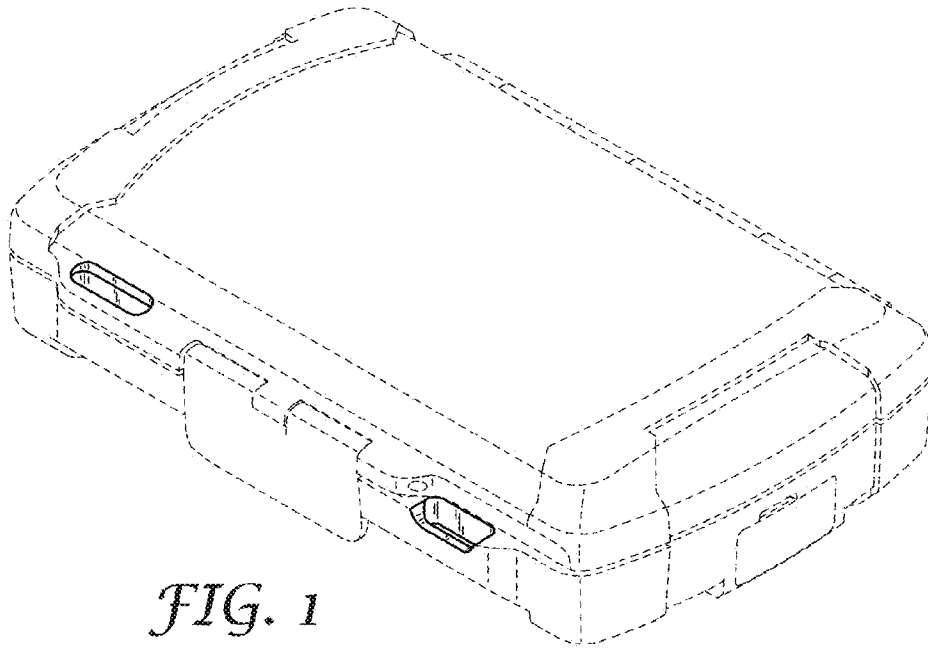


FIG. 1

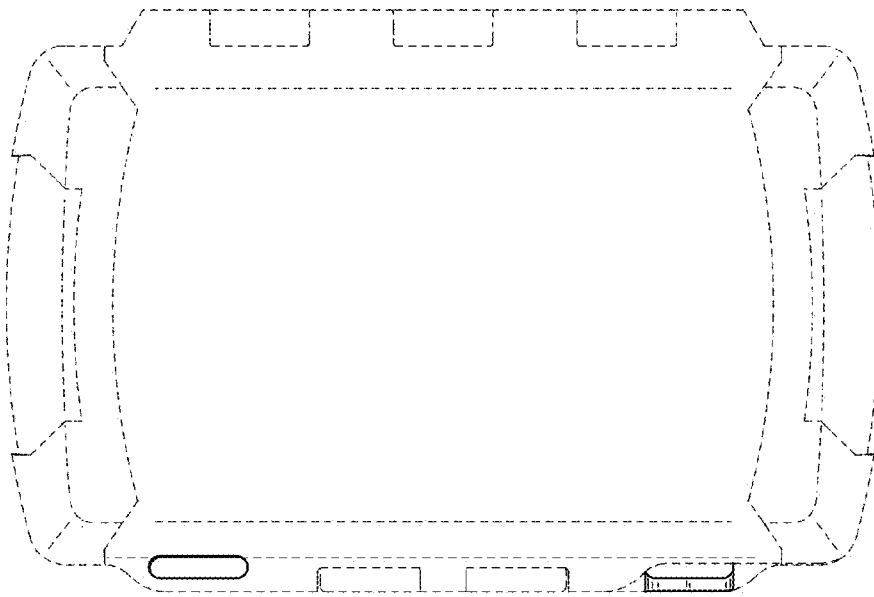


FIG. 2

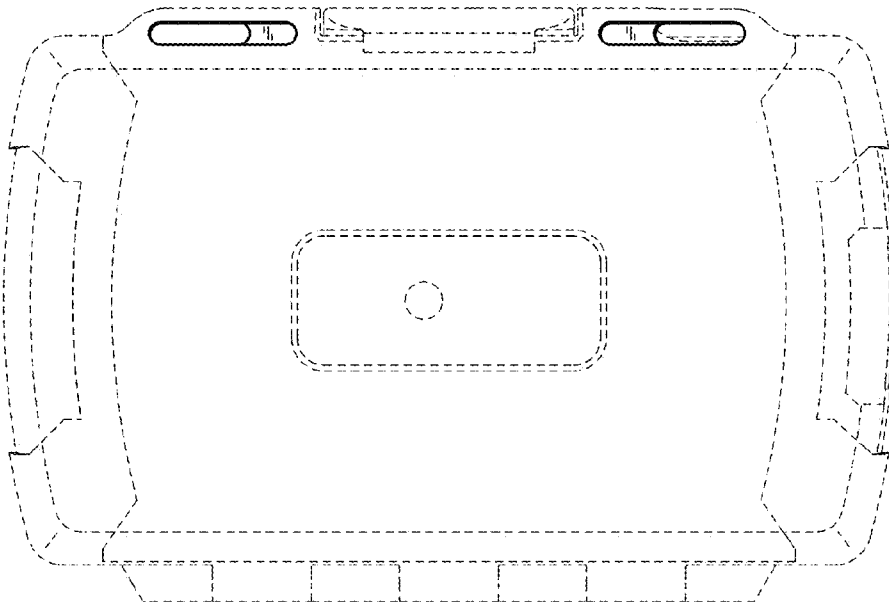


FIG. 3

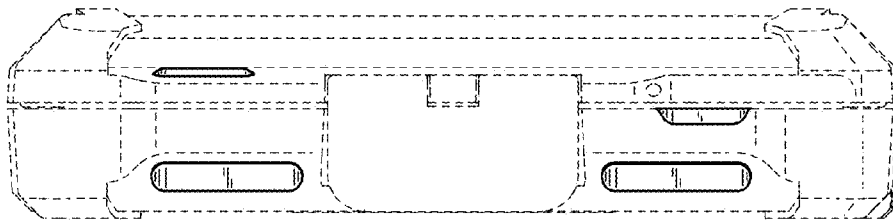


FIG. 4

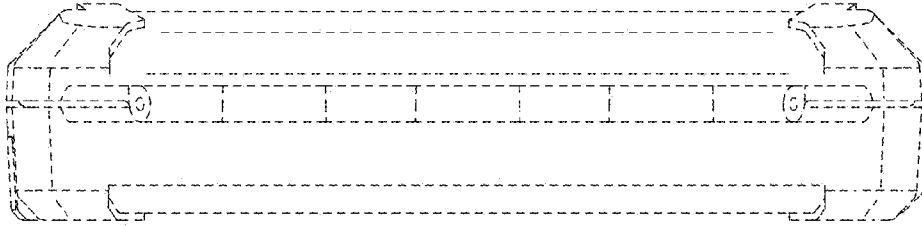


FIG. 5

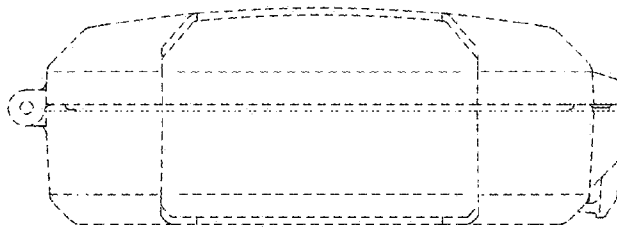


FIG. 6

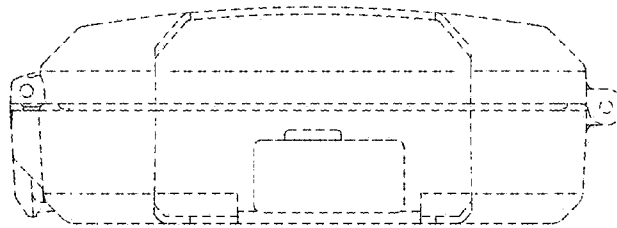


FIG. 7