



US00D855246S

(12) **United States Design Patent**
Heiner et al.

(10) **Patent No.:** **US D855,246 S**

(45) **Date of Patent:** **** Jul. 30, 2019**

(54) **LIGHT FIXTURE**

(71) Applicant: **Illum Technology, LLC**, Mesa, AZ
(US)

(72) Inventors: **Johnathan J. Heiner**, Mesa, AZ (US);
Stephen P. Adams, Mesa, AZ (US)

(73) Assignee: **Illum Horticulture LLC**, Mesa, AZ
(US)

(**) Term: **15 Years**

(21) Appl. No.: **29/627,987**

(22) Filed: **Nov. 30, 2017**

(51) **LOC (11) Cl.** **26-99**

(52) **U.S. Cl.**
USPC **D26/118**

(58) **Field of Classification Search**
USPC D26/74, 24, 72, 75, 76, 78, 79, 81, 82,
D26/88, 89, 91, 113, 118, 119, 120, 138,
D26/141, 142
CPC F21V 21/04; F21V 21/041; F21V 7/005;
F21Y 2111/002; F21S 8/026; F21S 8/02;
F21S 8/04
See application file for complete search history.

(56) **References Cited**

U.S. PATENT DOCUMENTS

2,474,308 A * 6/1949 Franck F21S 8/04
362/224
D475,157 S * 5/2003 Mier-Langner D26/118

D592,785 S * 5/2009 Bisberg D26/76
D637,752 S * 5/2011 Mekhtarian D26/72
D703,858 S * 4/2014 Miller D26/76
D824,581 S * 7/2018 Tweel D26/118

* cited by examiner

Primary Examiner — Brian N. Vinson

(74) *Attorney, Agent, or Firm* — Michael T. Wallace

(57) **CLAIM**

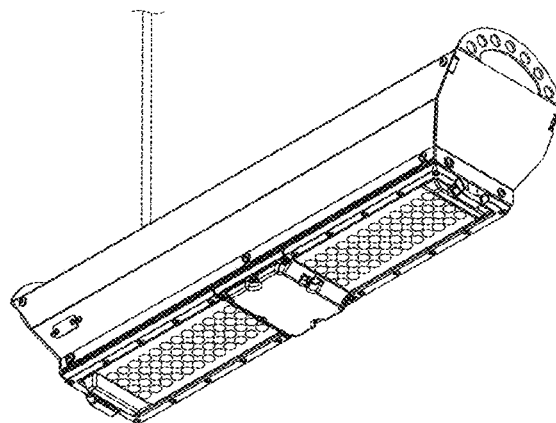
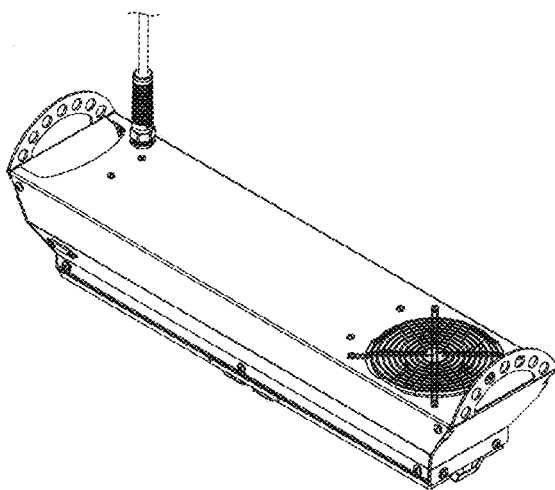
The ornamental design for a light fixture, as shown and described.

DESCRIPTION

FIG. 1 is front, top, right perspective view of our new design for a light fixture;
FIG. 2 is a front, top, left perspective view thereof;
FIG. 3 is a front, bottom, right perspective view thereof;
FIG. 4 is a front, bottom, left perspective view thereof;
FIG. 5 is a back, top, right perspective view thereof;
FIG. 6 is a back, top, left perspective view thereof;
FIG. 7 is a back, bottom, right perspective view thereof;
FIG. 8 is a back, bottom, left perspective view thereof;
FIG. 9 is a front view thereof;
FIG. 10 is a back view thereof;
FIG. 11 is a right side view thereof;
FIG. 12 is a left side view thereof;
FIG. 13 is a top view thereof; and,
FIG. 14 is a bottom view thereof.

The broken lines in the drawings illustrate portions of the light fixture which form no part of the claimed design.

1 Claim, 14 Drawing Sheets



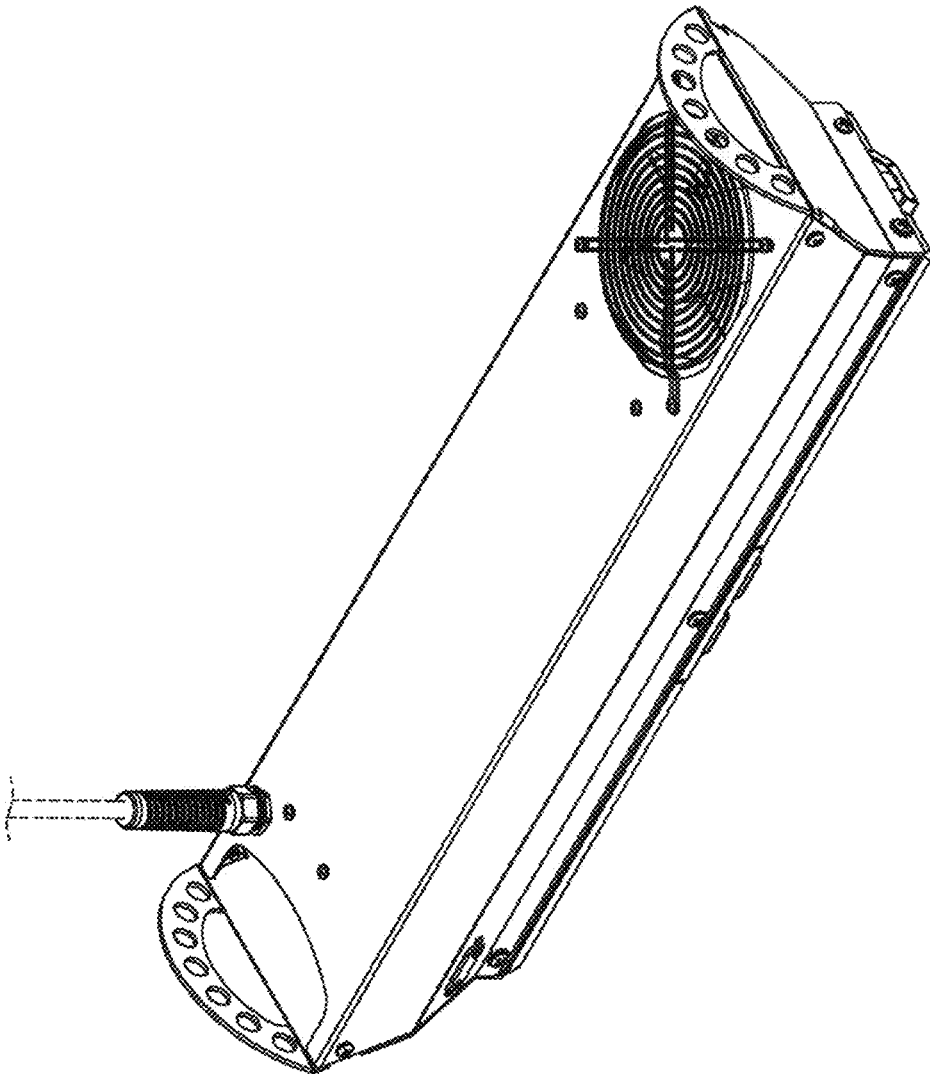


FIG. 1

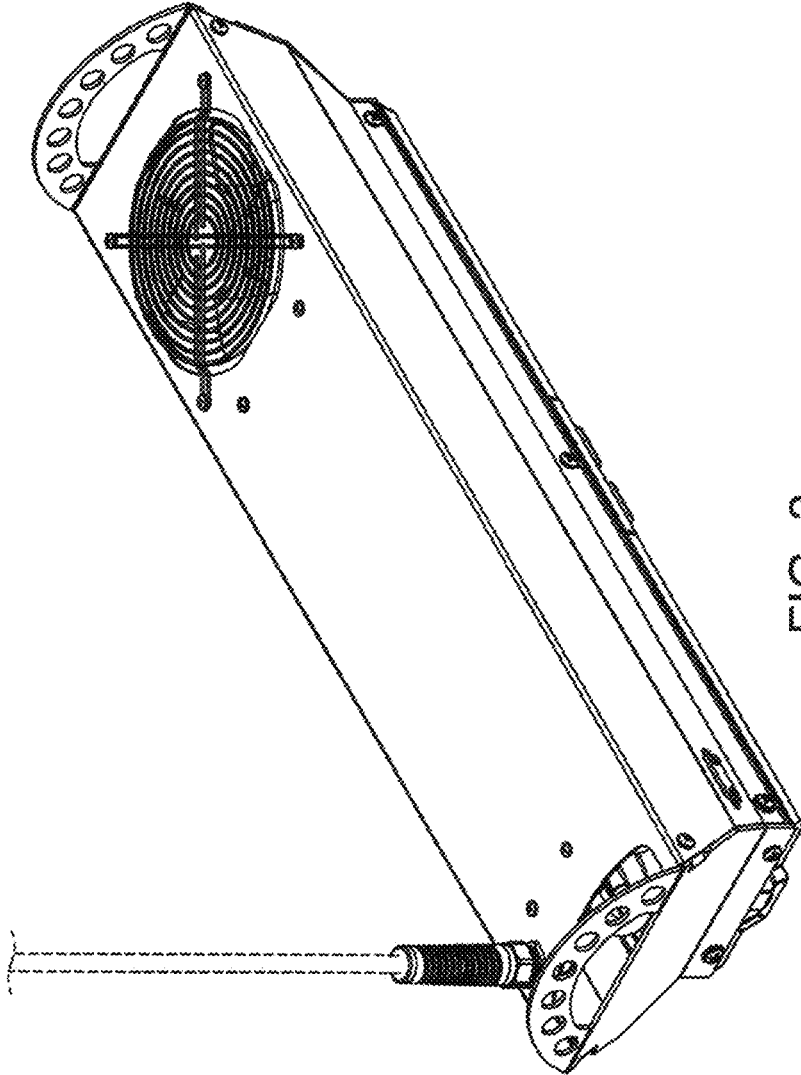


FIG. 2

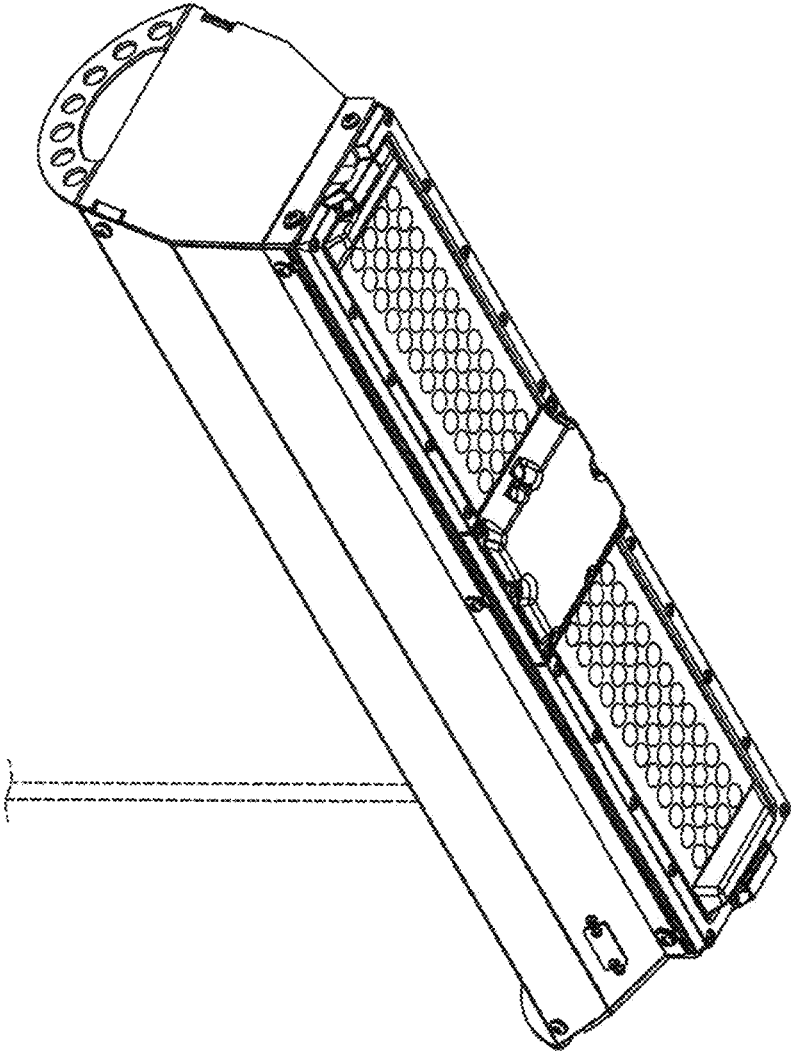


FIG. 3

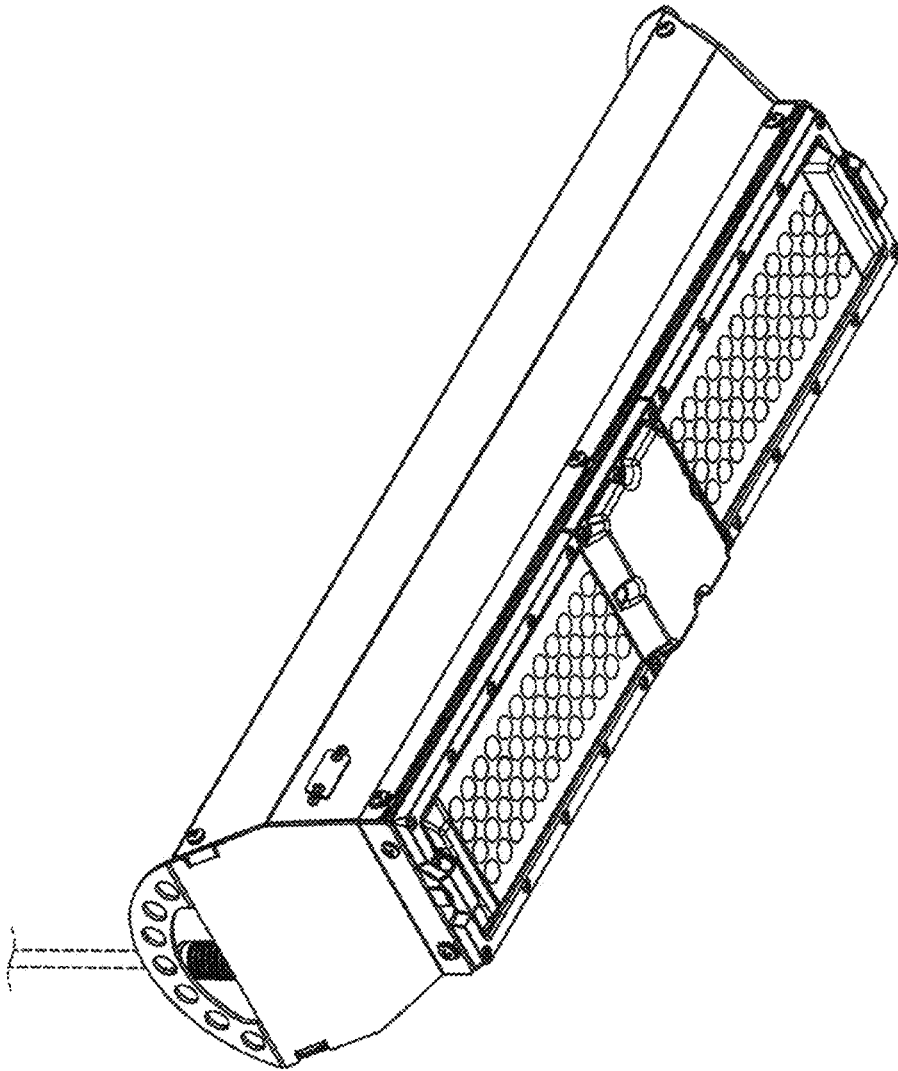


FIG. 4

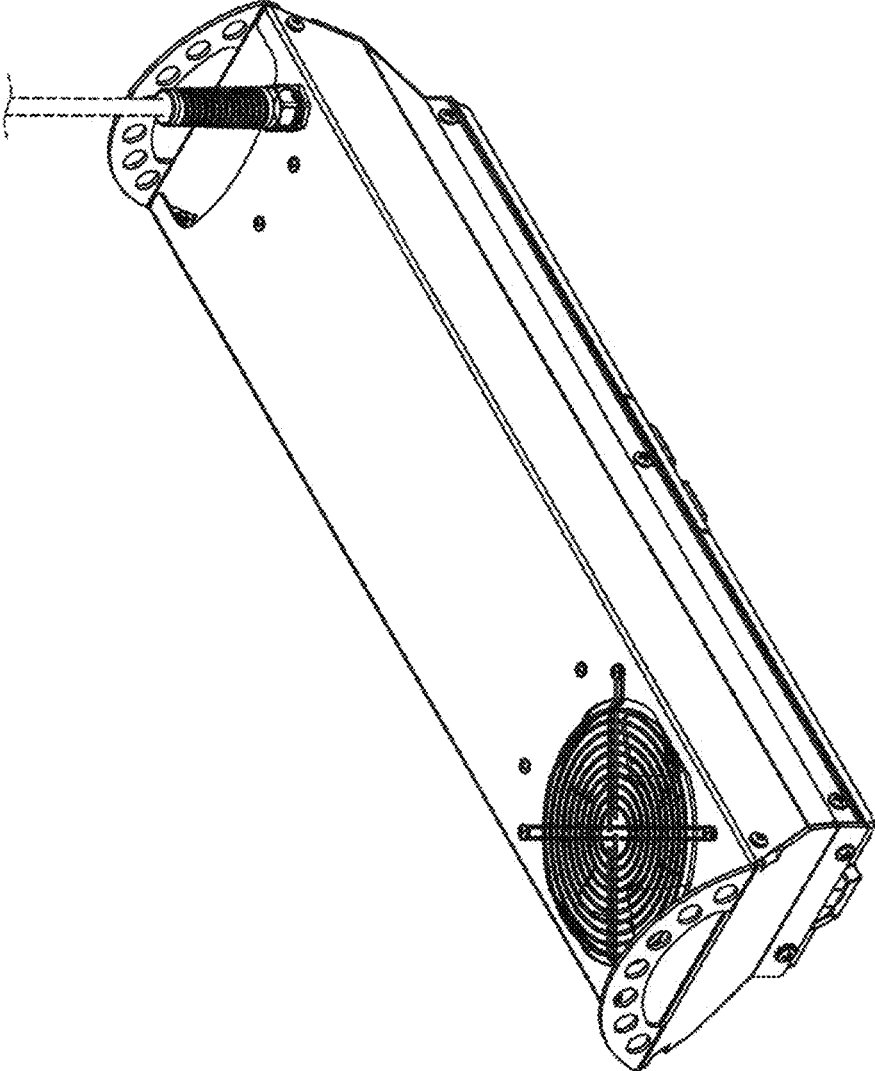


FIG. 5

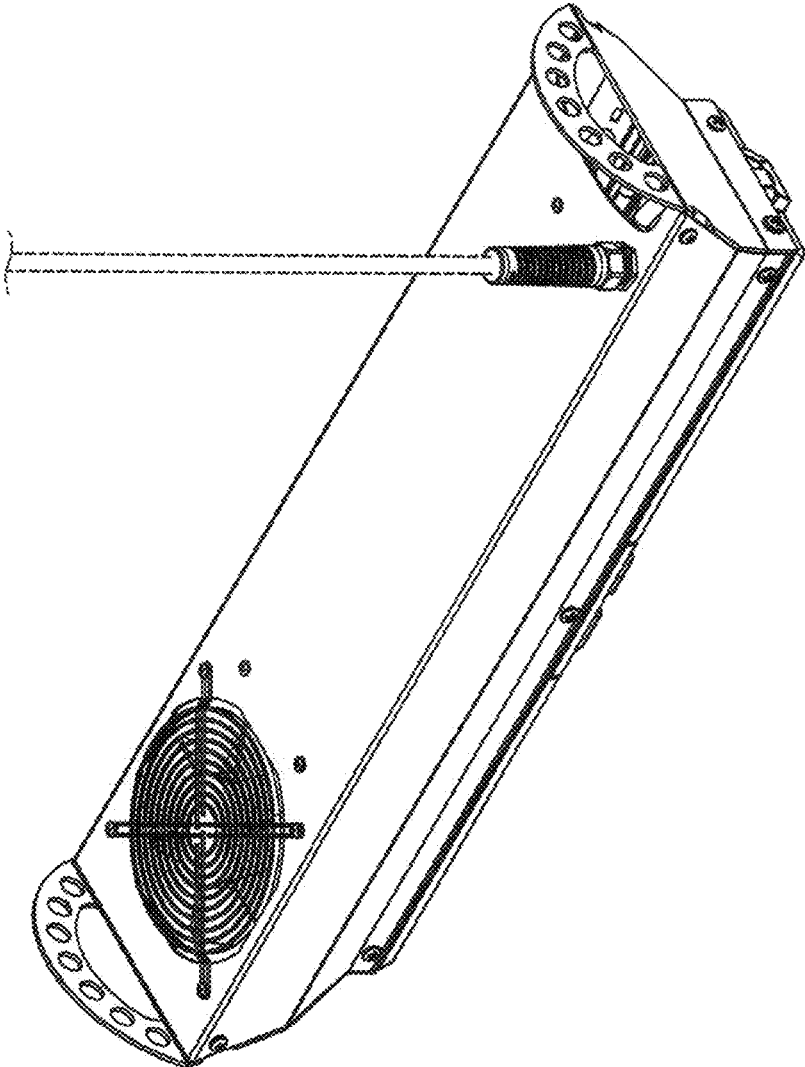


FIG. 6

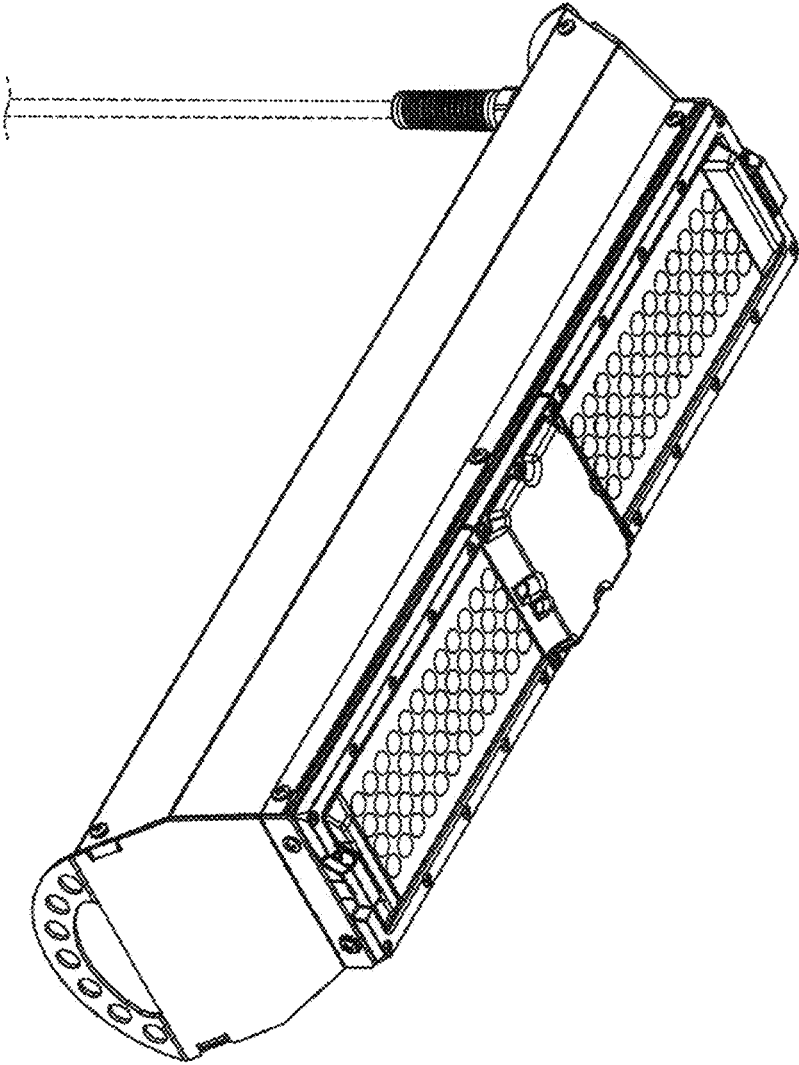


FIG. 7

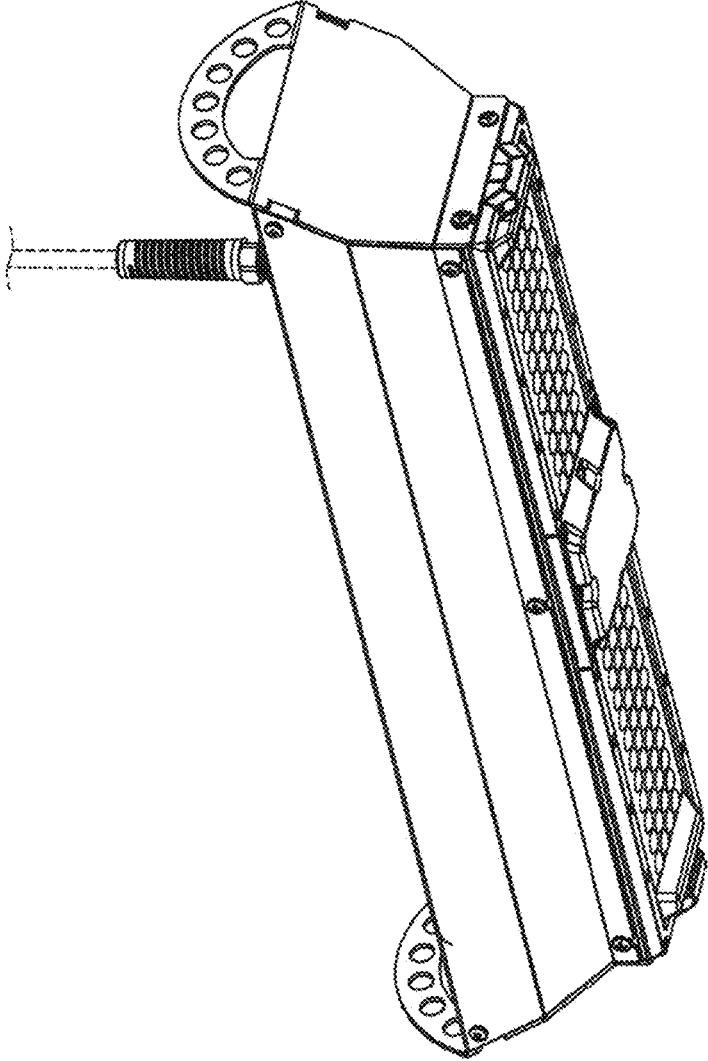


FIG. 8

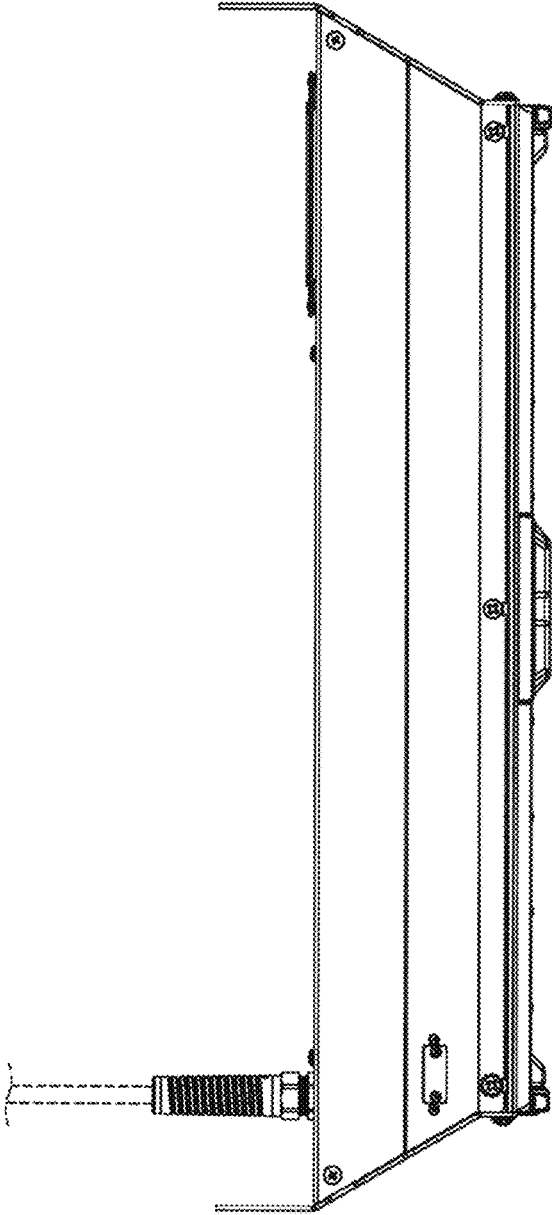


FIG. 9

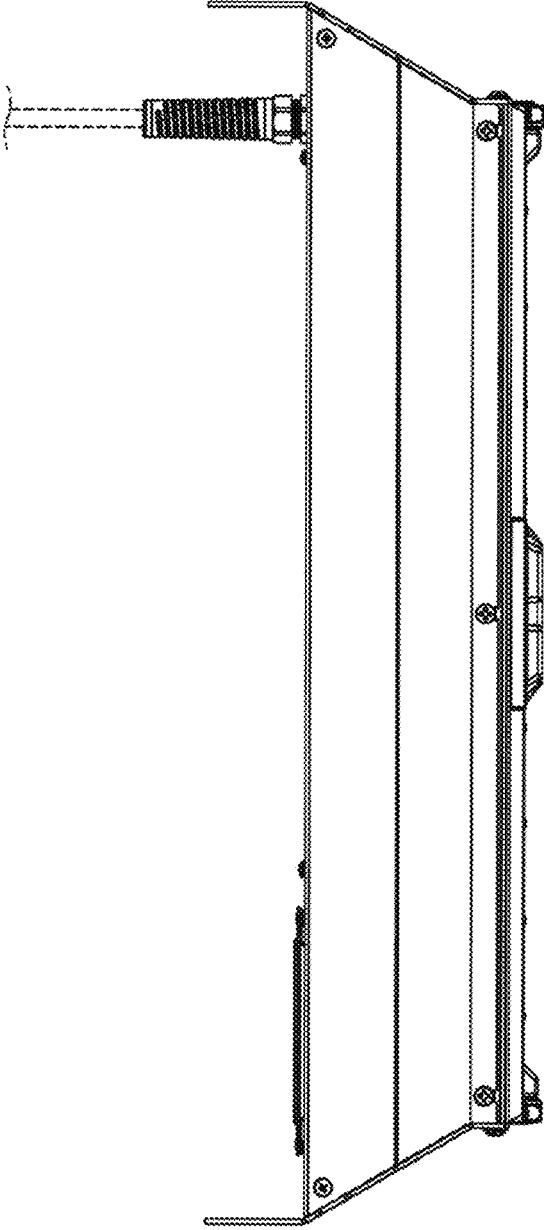


FIG. 10

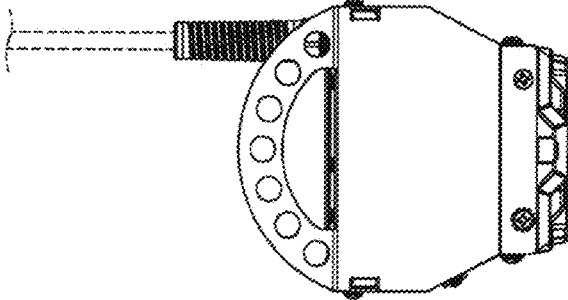


FIG. 11

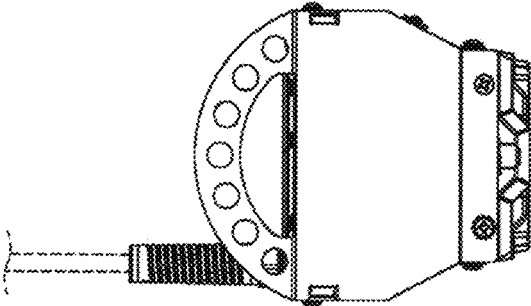


FIG. 12

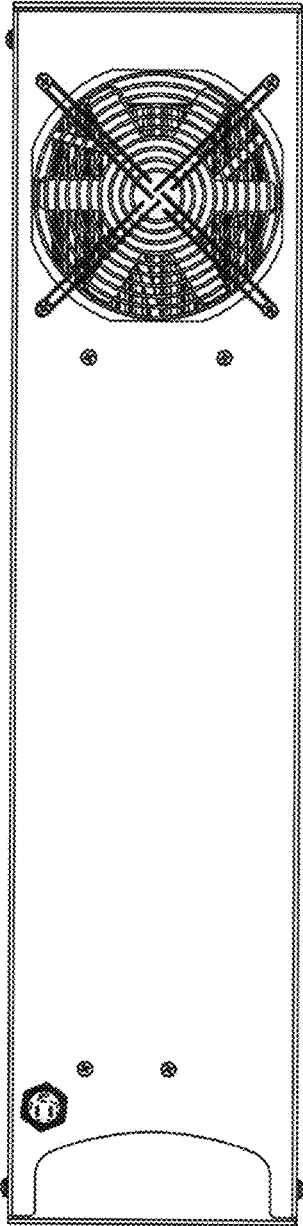


FIG. 13

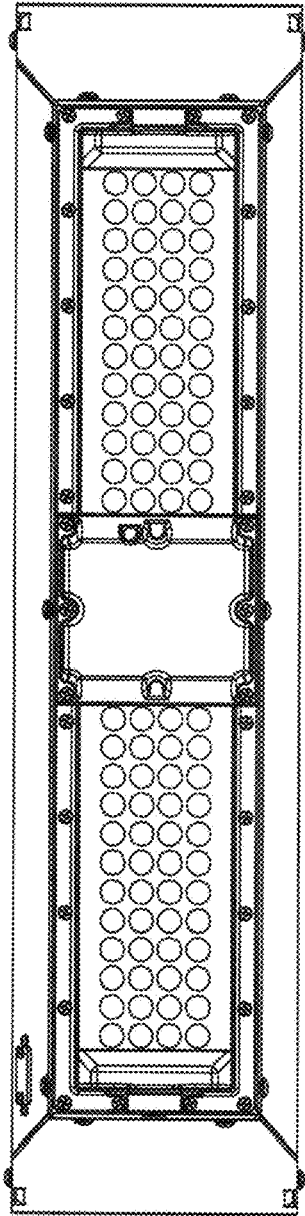


FIG. 14