



US00D821978S

(12) **United States Design Patent**
Yu

(10) **Patent No.:** **US D821,978 S**

(45) **Date of Patent:** **** Jul. 3, 2018**

(54) **ELECTRICAL SOCKET**
(71) Applicant: **NINGBO WELL ELECTRIC APPLANCE CO., LTD.**, Ningbo (CN)
(72) Inventor: **Guolin Yu**, Ningbo (CN)
(73) Assignee: **NINGBO WELL ELECTRIC APPLANCE CO., LTD.**, Ningbo (CN)

D483,723	S	*	12/2003	Adachi	D13/139.7
D484,460	S	*	12/2003	Cheng	D13/137.4
D533,836	S	*	12/2006	Young	D13/137.1
D534,126	S	*	12/2006	Chan	D13/139.1
D559,783	S	*	1/2008	Matzdorff	D13/137.2
D612,333	S	*	3/2010	Wu	D13/139.1
D792,347	S	*	7/2017	Callahan	D13/139.7

* cited by examiner

Primary Examiner — Manpreet S Matharu
Assistant Examiner — Jennifer M Campbell
(74) *Attorney, Agent, or Firm* — Hemisphere Law, PLLC; Zhigang Ma

(**) Term: **15 Years**
(21) Appl. No.: **29/601,489**

(22) Filed: **Apr. 23, 2017**
(51) **LOC (11) Cl.** **13-03**
(52) **U.S. Cl.**
USPC **D13/139.7**
(58) **Field of Classification Search**
USPC D13/137.2, 137.4, 138.1, 138.2,
D13/139.1–139.8
CPC .. H01R 13/6675; H01R 13/44; H01R 31/065;
H01R 13/4534
See application file for complete search history.

(57) **CLAIM**

The ornamental design for an electrical socket, as shown and described.

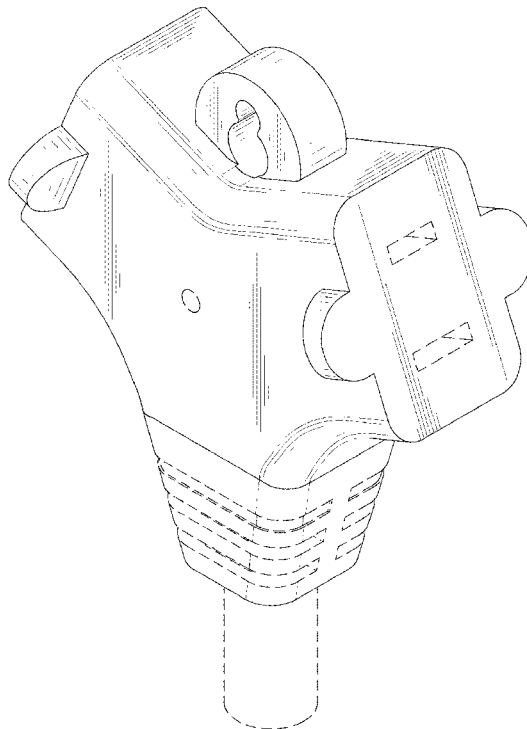
DESCRIPTION

FIG. 1 is a perspective view of an electrical socket, showing my new design;
FIG. 2 is a front view thereof;
FIG. 3 is a rear view thereof;
FIG. 4 is a left side view thereof;
FIG. 5 is a right side view thereof;
FIG. 6 is a top plan view thereof; and,
FIG. 7 is a bottom plan view thereof.
The broken lines shown are included for the purpose of illustrating portions of the electrical socket which form no part of the claimed design.

(56) **References Cited**
U.S. PATENT DOCUMENTS

D251,293	S	*	3/1979	Trueblood	D13/137.2
D297,634	S	*	9/1988	Poliak	D13/139.7
D326,641	S	*	6/1992	Estaban	D13/139.7
D415,105	S	*	10/1999	Lee	D13/139.1
D483,331	S	*	12/2003	Adachi	D13/139.7

1 Claim, 7 Drawing Sheets



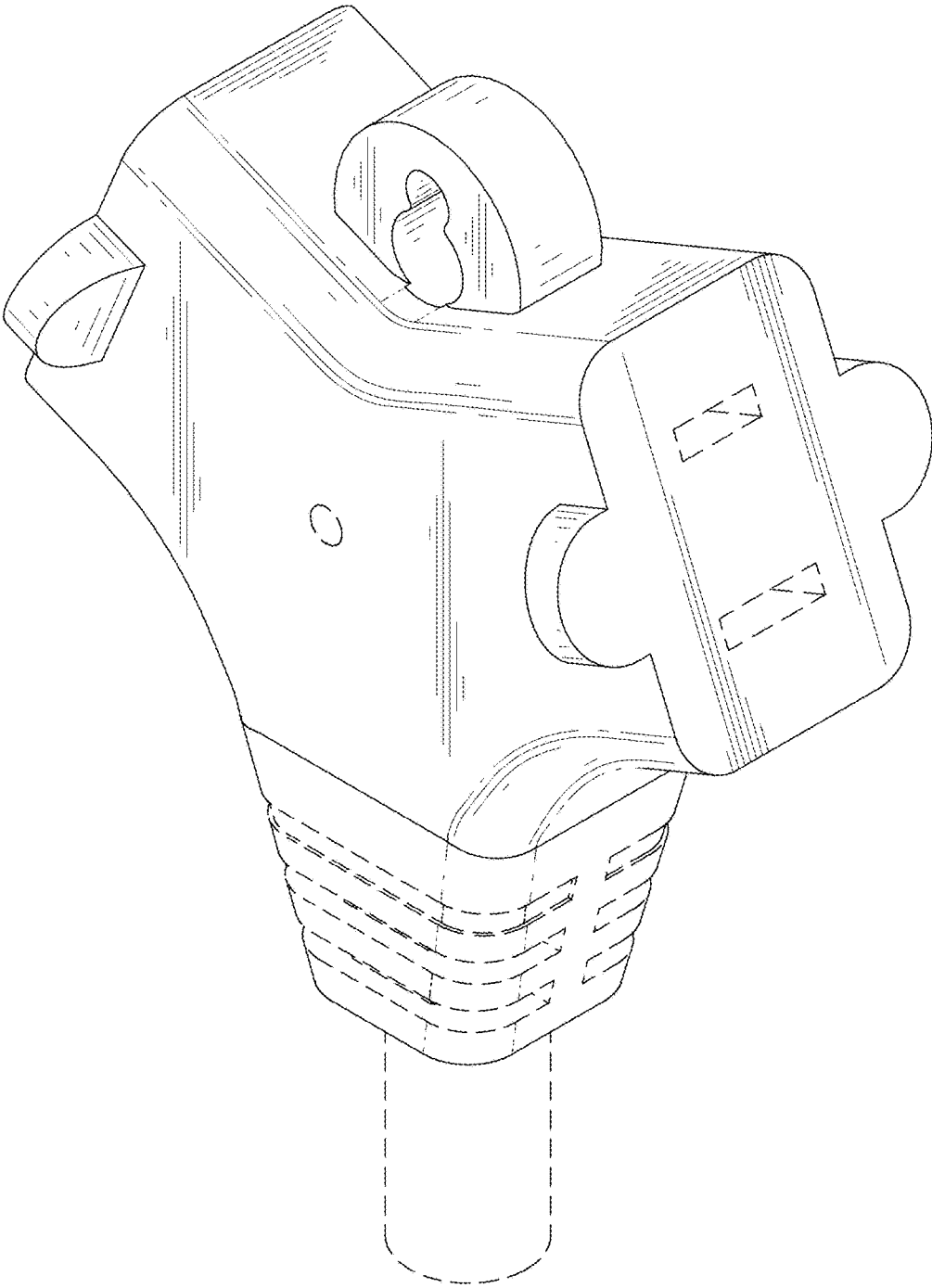


FIG. 1

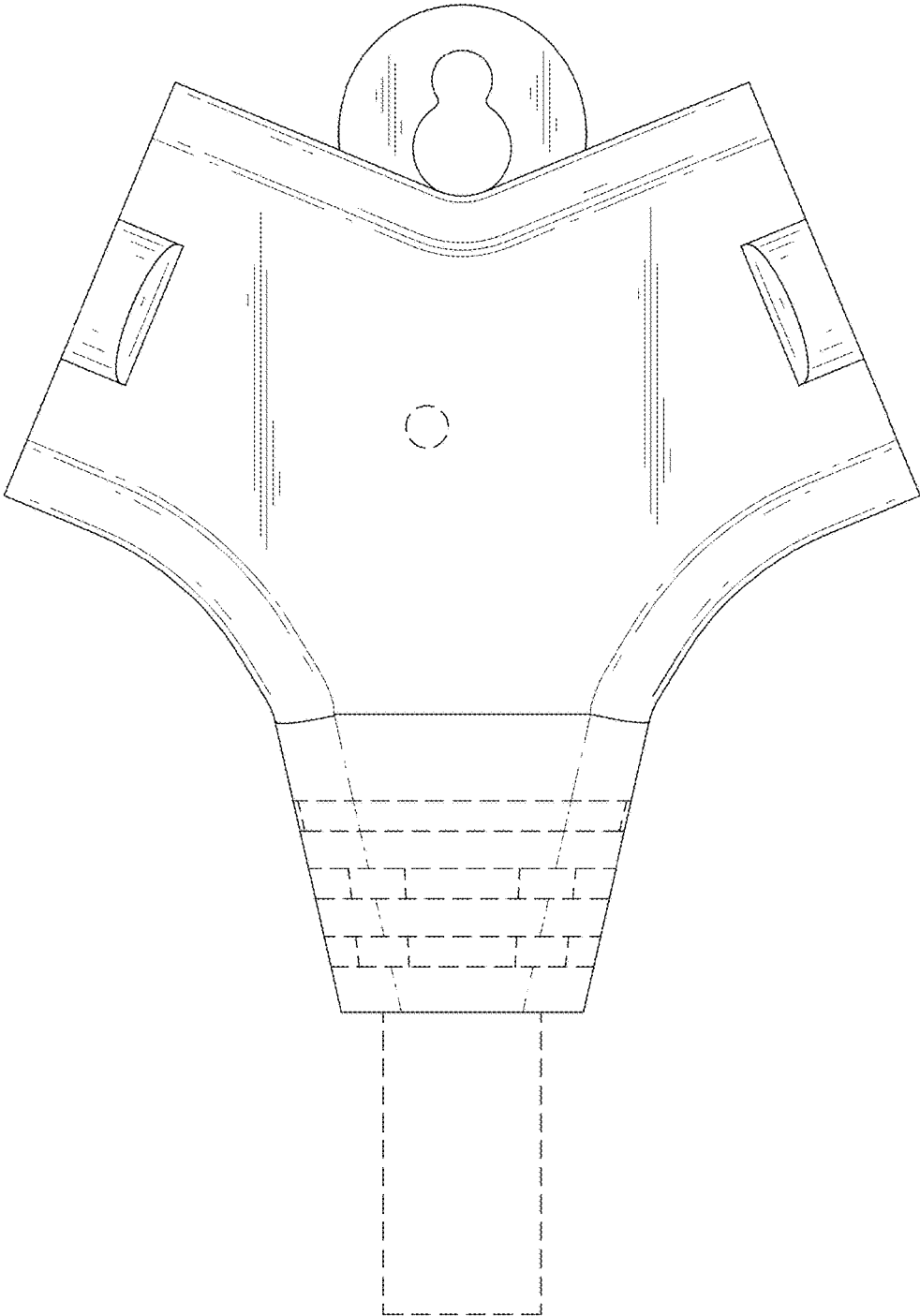


FIG. 2

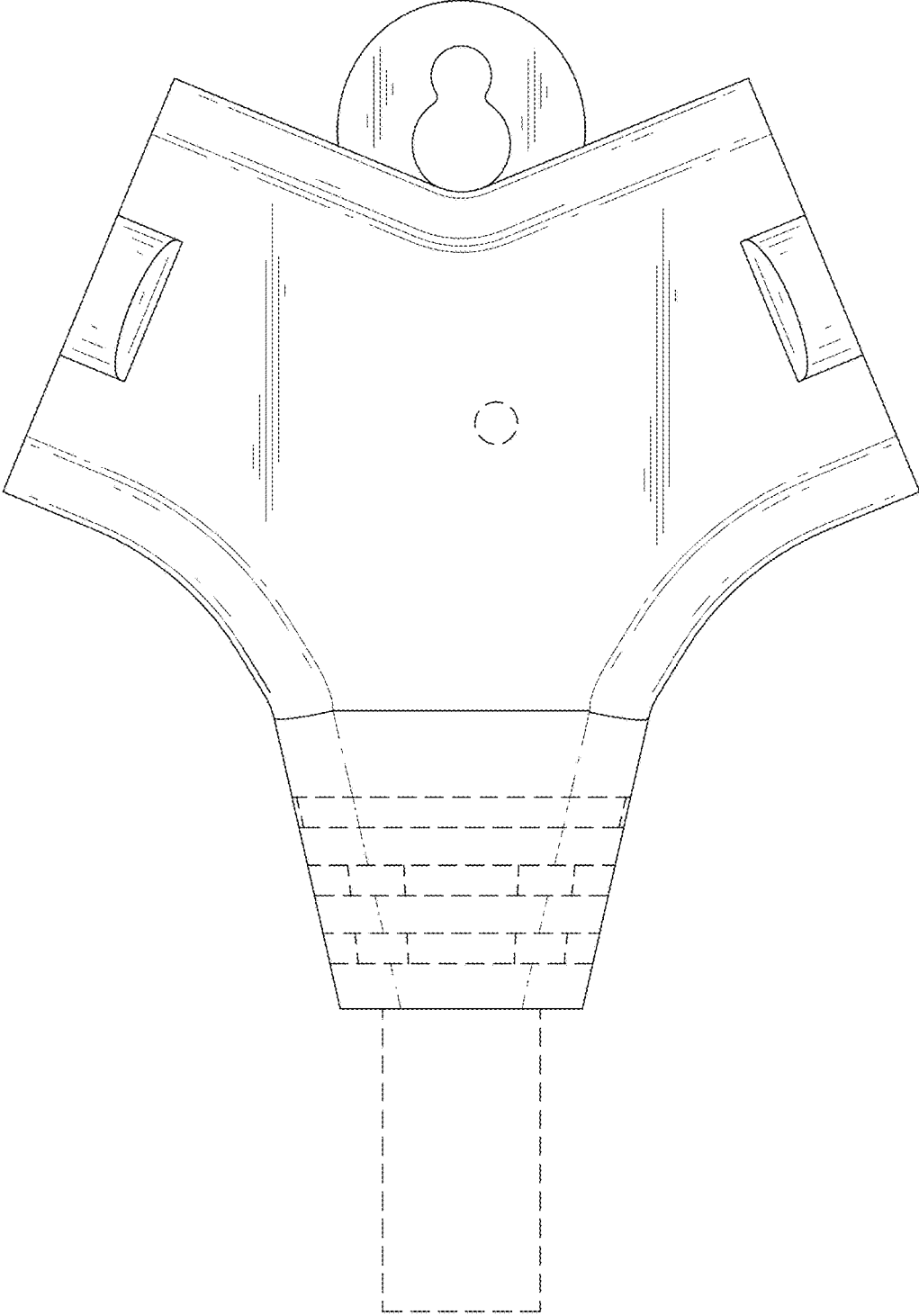


FIG. 3

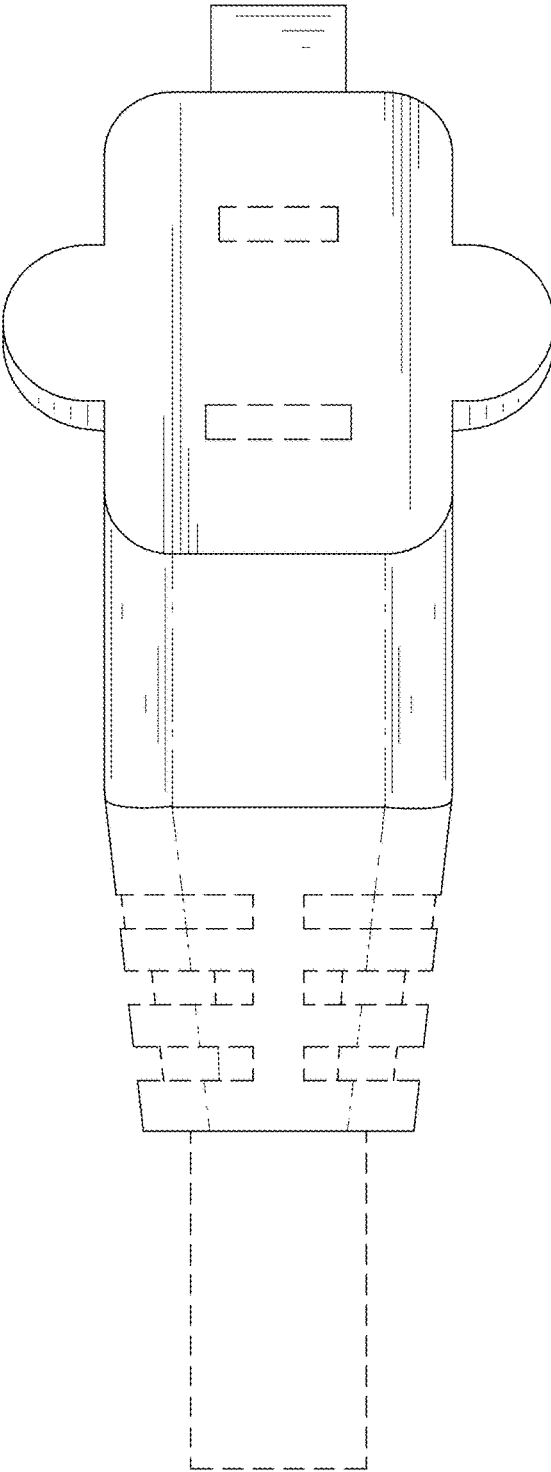


FIG. 4

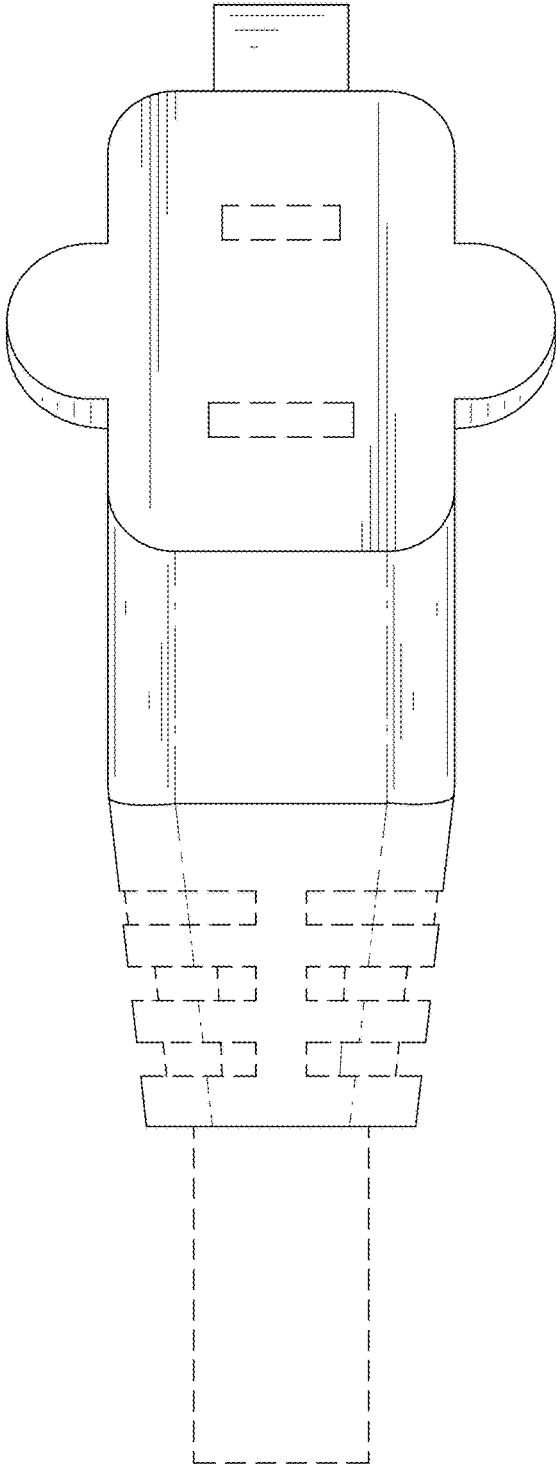


FIG. 5

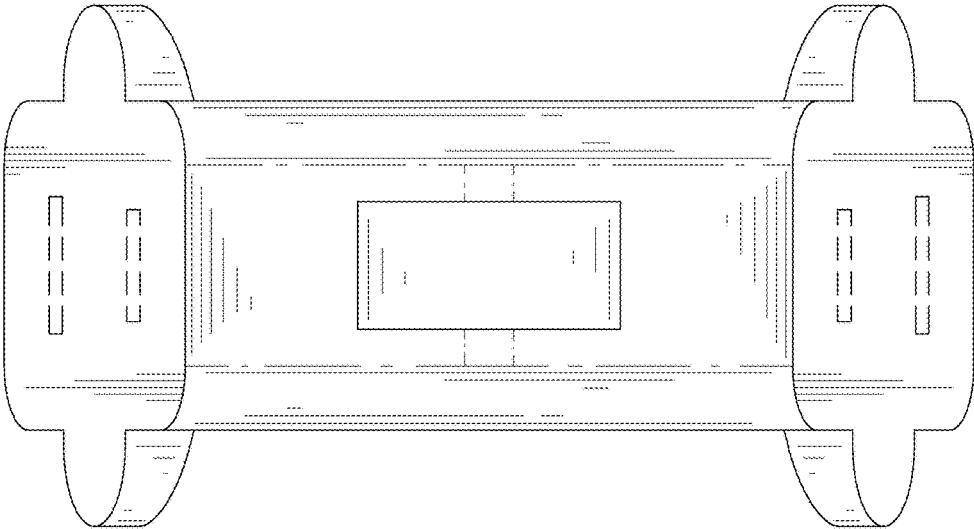


FIG. 6

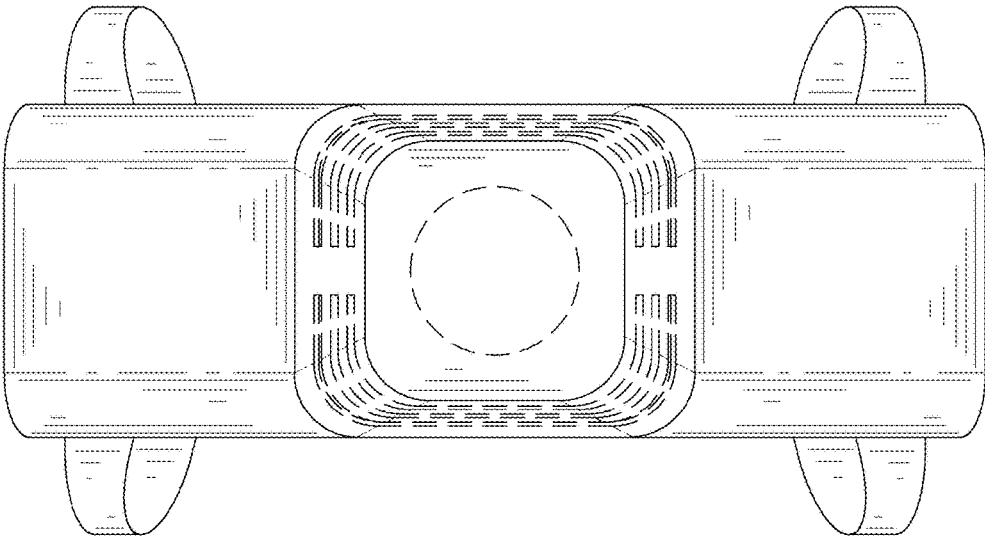


FIG. 7