

(19) World Intellectual Property Organization  
International Bureau



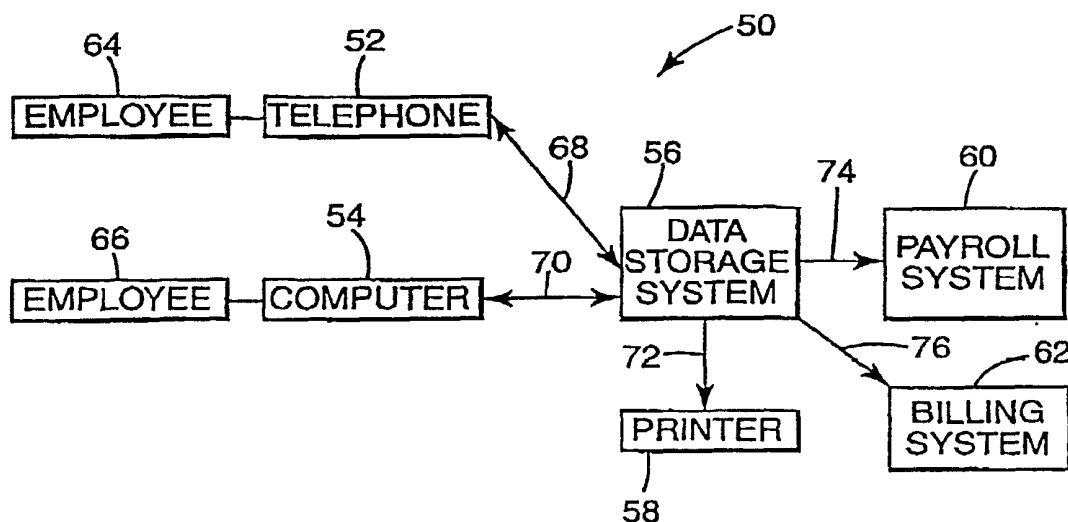
(43) International Publication Date  
30 August 2001 (30.08.2001)

PCT

(10) International Publication Number  
**WO 01/63377 A3**

- (51) International Patent Classification<sup>7</sup>: **G06F 17/00**
- (21) International Application Number: PCT/US01/40186
- (22) International Filing Date: 26 February 2001 (26.02.2001)
- (25) Filing Language: English
- (26) Publication Language: English
- (30) Priority Data:  
09/513,006 25 February 2000 (25.02.2000) US
- (71) Applicant: **VOIP GROUP, INC.** [US/US]; Suite 190, 6161 Blue Lagoon Drive, Miami, FL 33129 (US).
- (72) Inventors: **POMPAS, Arie**; 1915 Brickell Avenue, C-PH1, Miami, FL 33129 (US). **CHAPETA, Eduardo**; Marcelo T. de Alvear 30, Dept. C, 10th floor, Cordoba 5000 (AR).
- (74) Agent: **BILLIG, Patrick**; Dicke, Billig & Czaja, P.A., Suite 1250, 701 Fourth Avenue South, Minneapolis, MN 55415 (US).
- (81) Designated States (*national*): AE, AG, AL, AM, AT, AU, AZ, BA, BB, BG, BR, BY, BZ, CA, CH, CN, CR, CU, CZ, DE, DK, DM, DZ, EE, ES, FI, GB, GD, GE, GH, GM, HR, HU, ID, IL, IN, IS, JP, KE, KG, KP, KR, KZ, LC, LK, LR, LS, LT, LU, LV, MA, MD, MG, MK, MN, MW, MX, MZ, NO, NZ, PL, PT, RO, RU, SD, SE, SG, SI, SK, SL, TJ, TM, TR, TT, TZ, UA, UG, UZ, VN, YU, ZA, ZW.
- (84) Designated States (*regional*): ARIPO patent (GH, GM, KE, LS, MW, MZ, SD, SL, SZ, TZ, UG, ZW), Eurasian patent (AM, AZ, BY, KG, KZ, MD, RU, TJ, TM), European patent (AT, BE, CH, CY, DE, DK, ES, FI, FR, GB, GR, IE, IT, LU, MC, NL, PT, SE, TR), OAPI patent (BF, BJ, CF, CG, CI, CM, GA, GN, GW, ML, MR, NE, SN, TD, TG).
- Published:  
— with international search report
- (88) Date of publication of the international search report:  
30 May 2002
- For two-letter codes and other abbreviations, refer to the "Guidance Notes on Codes and Abbreviations" appearing at the beginning of each regular issue of the PCT Gazette.*

(54) Title: INTERNET ACCESSIBLE DATABASE WITH TELEPHONE ENTRY CAPABILITY



(57) Abstract: A system (50/90) and method for storing and manipulating data relating to an employee of a business is disclosed. The system and method includes an internet accessible database having telephone entry capabilities. The method includes accessing a data storage system (56) through use of a data communication device (52/91), such as a telephone, via a first connection (68/94, 92, 96). Data regarding a remotely located employee (64) is provided to the data storage system via the first connection. The data storage system can also be accessed through use of a computer (54) via a second connection (70) to view the provided data. The provided data can be monitored via the second connection. Various function can be performed on the provided data via the second connection.



WO 01/63377 A3

## INTERNATIONAL SEARCH REPORT

International application No.  
PCT/US01/40186

## A. CLASSIFICATION OF SUBJECT MATTER

IPC(7) : G06F 17/00  
US CL : 707/102

According to International Patent Classification (IPC) or to both national classification and IPC

## B. FIELDS SEARCHED

Minimum documentation searched (classification system followed by classification symbols)

U.S. : 707/1-206; 709/100-332

Documentation searched other than minimum documentation to the extent that such documents are included in the fields searched

Electronic data base consulted during the international search (name of data base and, where practicable, search terms used)

WEST search terms: database, telephone, computer, connection, internet

## C. DOCUMENTS CONSIDERED TO BE RELEVANT

Category*	Citation of document, with indication, where appropriate, of the relevant passages	Relevant to claim No.
A	US 5,974,417 A (BRACHO ET AL.) 26 OCTOBER 1999, Abstract	1-24
A	US 5,978,806 A (LUND) 02 NOVEMBER 1999, Abstract	1-24
A	US 5,974,443 A (JESKE) 26 OCTOBER 1999, Abstract	1-24

Further documents are listed in the continuation of Box C.  See patent family annex.

* Special categories of cited documents:	*T* later document published after the international filing date or priority date and not in conflict with the application but cited to understand the principle or theory underlying the invention
*A* document defining the general state of the art which is not considered to be of particular relevance	*X* document of particular relevance, the claimed invention cannot be considered novel or cannot be considered to involve an inventive step when the document is taken alone
*E* earlier document published on or after the international filing date	*Y* document of particular relevance, the claimed invention cannot be considered to involve an inventive step when the document is combined with one or more other such documents, such combination being obvious to a person skilled in the art
*L* document which may throw doubts on priority claim(s) or which is cited to establish the publication date of another citation or other special reason (as specified)	*Z* document member of the same patent family
*O* document referring to an oral disclosure, use, exhibition or other means	
*P* document published prior to the international filing date but later than the priority date claimed	

Date of the actual completion of the international search 15 SEPTEMBER 2001	Date of mailing of the international search report 30 OCT 2001
--	---

Name and mailing address of the ISA/US  
Commissioner of Patents and Trademarks  
Box PCT  
Washington, D.C. 20231  
Facsimile No. (703) 305-3230

Authorized officer  
DAVID JUNG

Telephone No. (703) 308-5262