

(19) World Intellectual Property Organization  
International Bureau



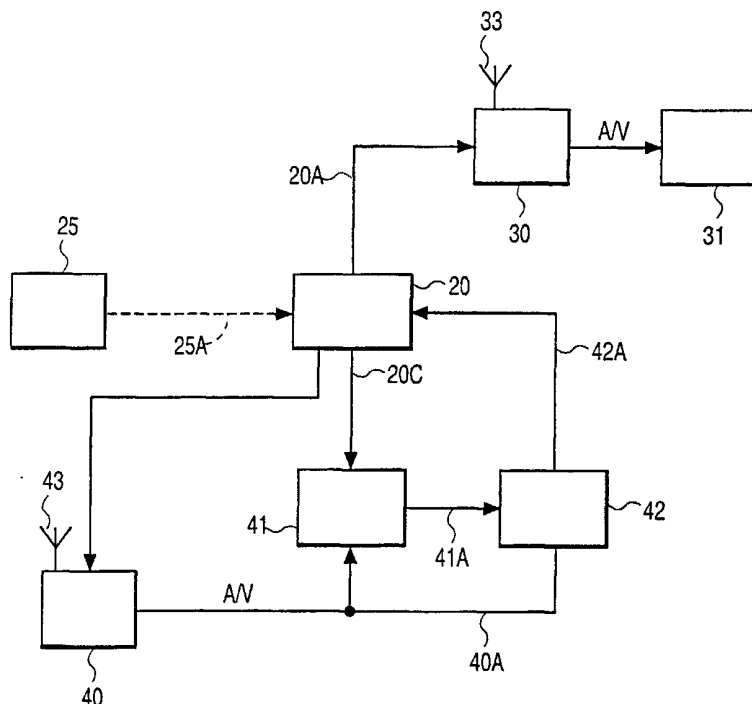
(43) International Publication Date  
23 August 2001 (23.08.2001)

PCT

(10) International Publication Number  
**WO 01/62002 A3**

- (51) International Patent Classification<sup>7</sup>: **H04N 5/44** (74) Agent: **STEENBEEK, Leonardus, J.**; Internationaal Octrooibureau B.V., Prof. Holstlaan 6, NL-5656 AA Eindhoven (NL).
- (21) International Application Number: PCT/EP01/00514
- (22) International Filing Date: 18 January 2001 (18.01.2001) (81) Designated States (*national*): JP, KR.
- (25) Filing Language: English (84) Designated States (*regional*): European patent (AT, BE, CH, CY, DE, DK, ES, FI, FR, GB, GR, IE, IT, LU, MC, NL, PT, SE, TR).
- (26) Publication Language: English
- (30) Priority Data: 09/504,760 14 February 2000 (14.02.2000) US — *with international search report*
- (71) Applicant: **KONINKLIJKE PHILIPS ELECTRONICS N.V.** [NL/NL]; Groenewoudseweg 1, NL-5621 BA Eindhoven (NL). (88) Date of publication of the international search report: 13 December 2001
- (72) Inventor: **LORD, William, P.**; Prof. Holstlaan 6, NL-5656 AA Eindhoven (NL). *For two-letter codes and other abbreviations, refer to the "Guidance Notes on Codes and Abbreviations" appearing at the beginning of each regular issue of the PCT Gazette.*

(54) Title: AUTOMATIC CHANNEL SELECTION SYSTEM



(57) Abstract: A method of returning to a program that is being received on a first channel is disclosed. The method includes storing data that characterizes at least one portion of the program. After storing this data, the user is free to change channels. The system automatically switches back to the first channel when data that characterizes a subsequent portion of the program matches the stored data.



WO 01/62002 A3

# INTERNATIONAL SEARCH REPORT

International Application No  
PCT/EP 01/00514

**A. CLASSIFICATION OF SUBJECT MATTER**  
IPC 7 H04N5/44

According to International Patent Classification (IPC) or to both national classification and IPC

**B. FIELDS SEARCHED**

Minimum documentation searched (classification system followed by classification symbols)  
IPC 7 H04N

Documentation searched other than minimum documentation to the extent that such documents are included in the fields searched

Electronic data base consulted during the international search (name of data base and, where practical, search terms used)

EPO-Internal, WPI Data, PAJ

**C. DOCUMENTS CONSIDERED TO BE RELEVANT**

Category °	Citation of document, with indication, where appropriate, of the relevant passages	Relevant to claim No.
Y	WO 98 20675 A (IGGULDEN JERRY) 14 May 1998 (1998-05-14) page 13 -page 40 ---	1, 3, 4, 14, 15
Y	WO 96 27983 A (INTERVAL RESEARCH CORP) 12 September 1996 (1996-09-12) page 11, line 8 -page 42 ---	1, 3, 4, 14, 15
A	WO 99 31879 A (DELUCA MICHAEL J) 24 June 1999 (1999-06-24) cited in the application page 2, line 18 -page 9 ---	1-15
A	EP 0 366 001 A (THOMSON CONSUMER ELECTRONICS) 2 May 1990 (1990-05-02) cited in the application column 2, line 52 -column 7, line 32 --- -/--	1-15

Further documents are listed in the continuation of box C.

Patent family members are listed in annex.

° Special categories of cited documents :

- \*A\* document defining the general state of the art which is not considered to be of particular relevance
- \*E\* earlier document but published on or after the international filing date
- \*L\* document which may throw doubts on priority claim(s) or which is cited to establish the publication date of another citation or other special reason (as specified)
- \*O\* document referring to an oral disclosure, use, exhibition or other means
- \*P\* document published prior to the international filing date but later than the priority date claimed

- \*T\* later document published after the international filing date or priority date and not in conflict with the application but cited to understand the principle or theory underlying the invention
- \*X\* document of particular relevance; the claimed invention cannot be considered novel or cannot be considered to involve an inventive step when the document is taken alone
- \*Y\* document of particular relevance; the claimed invention cannot be considered to involve an inventive step when the document is combined with one or more other such documents, such combination being obvious to a person skilled in the art.
- \*Z\* document member of the same patent family

Date of the actual completion of the international search

29 August 2001

Date of mailing of the international search report

06/09/2001

Name and mailing address of the ISA

European Patent Office, P.B. 5818 Patentlaan 2  
NL - 2280 HV Rijswijk  
Tel. (+31-70) 340-2040, Tx. 31 651 epo nl,  
Fax: (+31-70) 340-3016

Authorized officer

Materne, A

# INTERNATIONAL SEARCH REPORT

International Application No  
PCT/EP 01/00514

## C.(Continuation) DOCUMENTS CONSIDERED TO BE RELEVANT

Category °	Citation of document, with indication, where appropriate, of the relevant passages	Relevant to claim No.
A	US 5 870 754 A (DIMITROVA NEVENKA ET AL) 9 February 1999 (1999-02-09) cited in the application column 4, line 64 -column 22, line 36 -----	1-15

# INTERNATIONAL SEARCH REPORT

Information on patent family members

International Application No

PCT/EP 01/00514

Patent document cited in search report	Publication date	Patent family member(s)	Publication date
WO 9820675 A	14-05-1998	US 5999689 A	07-12-1999
		US 6002443 A	14-12-1999
		AU 5197998 A	29-05-1998
WO 9627983 A	12-09-1996	AU 5027796 A	23-09-1996
		EP 0872120 A	21-10-1998
		JP 11506575 T	08-06-1999
WO 9931879 A	24-06-1999	US 5973723 A	26-10-1999
		AU 8589298 A	05-07-1999
EP 0366001 A	02-05-1990	US 4918531 A	17-04-1990
		AT 110901 T	15-09-1994
		AU 623185 B	07-05-1992
		AU 4368789 A	03-05-1990
		CN 1042283 A, B	16-05-1990
		DE 68917850 D	06-10-1994
		DE 68917850 T	12-01-1995
		DK 527989 A	26-04-1990
		ES 2059671 T	16-11-1994
		FI 89654 B	15-07-1993
		JP 2170727 A	02-07-1990
		JP 2640150 B	13-08-1997
		KR 161661 B	20-03-1999
US 5870754 A	09-02-1999	EP 0842478 A	20-05-1998
		WO 9740454 A	30-10-1997
		JP 11509025 T	03-08-1999