



US00D750249S

(12) **United States Design Patent**
Grimberg, Jr. et al.

(10) **Patent No.:** **US D750,249 S**

(45) **Date of Patent:** **** Feb. 23, 2016**

(54) **EXPANDABLE FUSION CAGE**

4,277,184 A 7/1981 Solomon
4,338,925 A 7/1982 Miller
4,430,062 A 2/1984 Henrichsen et al.

(71) Applicant: **Spinal Surgical Strategies LLC**,
Denver, CO (US)

(Continued)

(72) Inventors: **Edward John Grimberg, Jr.**, Golden,
CO (US); **Jeffrey B. Kleiner**, Denver,
CO (US)

FOREIGN PATENT DOCUMENTS

FR 2790946 9/2000
JP H09-327468 12/1997

(73) Assignee: **Spinal Surgical Strategies, LLC**,
Denver, CO (US)

(Continued)

(**) Term: **14 Years**

U.S. Appl. No. 13/168,611, filed Jun. 24, 2011, Kleiner.

(21) Appl. No.: **29/506,748**

(Continued)

(22) Filed: **Oct. 20, 2014**

Primary Examiner — Susan Bennett Hattan

(51) **LOC (10) Cl.** **24-02**

Assistant Examiner — Charles Hanson

(52) **U.S. Cl.**

(74) *Attorney, Agent, or Firm* — Sheridan Ross P.C.

USPC **D24/155**

(58) **Field of Classification Search**

USPC D24/155, 133, 135
CPC A61F 2/4611; A61F 2/442; A61F 2/447;
A61F 2220/0025; A61F 2310/00023; A61F
2310/00017; A61F 2002/4475; A61F
2002/30841; A61F 2002/2835; A61F
2002/30904; A61F 2002/30785; A61F
2002/443; A61F 2002/30578

See application file for complete search history.

(57) **CLAIM**

The ornamental design for an expandable fusion cage, as shown and described.

DESCRIPTION

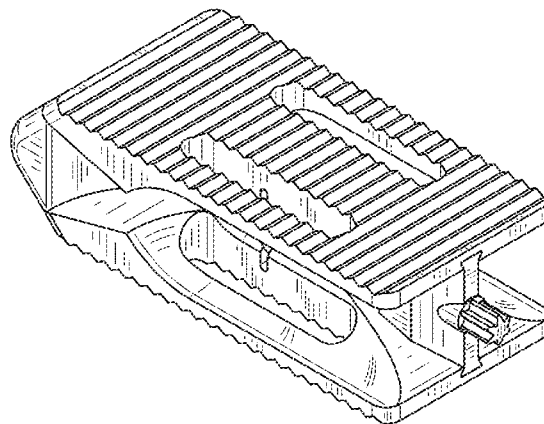
FIG. 1 is a rear perspective view of the expandable fusion cage in a first state;
FIG. 2 is a front perspective exploded view thereof;
FIG. 3 is a top plan view thereof;
FIG. 4 is a front elevation view thereof;
FIG. 5 is a left elevation view thereof;
FIG. 6 is a rear elevation view thereof;
FIG. 7 is a rear perspective view of the expandable fusion cage in a second state;
FIG. 8 is a top plan view thereof;
FIG. 9 is a front elevation view thereof;
FIG. 10 is a right elevation view thereof; and,
FIG. 11 is a rear elevation view thereof.
The dot dash lines shown in the views are included for the purpose of identifying the exploded view order.

(56) **References Cited**

U.S. PATENT DOCUMENTS

D30,951 S	6/1899	Saint Cyr, Jr.
1,867,624 A	7/1932	Hoffman
2,520,464 A	8/1950	Hubner
3,697,011 A	10/1972	Christensen et al.
3,741,496 A	6/1973	Beller
3,836,092 A	9/1974	Hull
3,855,638 A	12/1974	Pilliar
4,039,156 A	8/1977	Abraham
4,041,939 A	8/1977	Hall
4,047,524 A	9/1977	Hall
4,206,516 A	6/1980	Pilliar

1 Claim, 5 Drawing Sheets



(56)

References Cited

U.S. PATENT DOCUMENTS

4,462,402 A	7/1984	Burgio et al.	5,904,718 A	5/1999	Jefferies	
4,467,478 A	8/1984	Jurgutis	5,906,616 A	5/1999	Pavlov et al.	
4,501,269 A	2/1985	Bagby	5,925,051 A	7/1999	Mikhail	
4,522,270 A	6/1985	Kishi	5,925,056 A	7/1999	Thomas et al.	
4,570,623 A	2/1986	Ellison et al.	5,944,658 A	8/1999	Koros et al.	
4,580,978 A	4/1986	Motola et al.	5,944,686 A	8/1999	Patterson et al.	
4,592,346 A	6/1986	Jurgutis	5,947,972 A	9/1999	Gage et al.	
4,739,750 A	4/1988	Masse et al.	5,976,146 A	11/1999	Ogawa et al.	
4,743,256 A	5/1988	Brantigan	5,989,257 A	11/1999	Tidwell et al.	
4,877,399 A	10/1989	Frank et al.	5,997,895 A	12/1999	Narotam et al.	
4,925,924 A	5/1990	Silver et al.	6,004,191 A	12/1999	Schur et al.	
D309,499 S	7/1990	Bowman et al.	6,004,326 A	12/1999	Castro et al.	
D312,309 S	11/1990	Michelson	6,008,433 A *	12/1999	Stone	A61B 17/68 623/20.14
4,991,570 A	2/1991	Bullard	6,013,028 A	1/2000	Jho et al.	
5,037,422 A	8/1991	Hayhurst	6,019,765 A	2/2000	Thornhill et al.	
5,053,038 A	10/1991	Sheehan	6,030,356 A	2/2000	Carlson et al.	
5,055,104 A	10/1991	Ray	6,030,388 A	2/2000	Yoshimi et al.	
5,058,823 A	10/1991	Emura et al.	6,030,390 A	2/2000	Mehdzizadeh	
5,282,744 A	2/1994	Meyer	6,030,401 A	2/2000	Marino	
5,290,295 A	3/1994	Querals et al.	6,033,408 A	3/2000	Gage et al.	
5,311,640 A	5/1994	Holland	6,033,438 A	3/2000	Bianchi et al.	
5,312,407 A	5/1994	Carter	6,045,555 A	4/2000	Smith et al.	
5,312,417 A	5/1994	Wilk	6,059,829 A	5/2000	Schlapfer et al.	
5,324,307 A	6/1994	Jarrett et al.	6,090,143 A	7/2000	Meriwether et al.	
5,329,834 A	7/1994	Wong	6,096,080 A	8/2000	Nicholson et al.	
5,333,812 A	8/1994	Sato	6,113,602 A	9/2000	Sand	
D351,022 S	9/1994	Saito	6,120,503 A	9/2000	Michelson	
5,354,292 A	10/1994	Braeuer et al.	6,123,705 A	9/2000	Michelson	
5,395,372 A	3/1995	Holt et al.	6,136,001 A	10/2000	Michelson	
5,425,772 A	6/1995	Brantigan	6,142,998 A	11/2000	Smith et al.	
D360,689 S	7/1995	Giampapa	6,146,420 A	11/2000	McKay	
5,431,658 A	7/1995	Moskovich	6,149,096 A	11/2000	Hartley	
5,443,514 A	8/1995	Steffee	6,152,871 A	11/2000	Foley et al.	
D364,462 S	11/1995	Michelson	6,159,211 A	12/2000	Boriani et al.	
5,520,611 A	5/1996	Rao et al.	6,159,245 A	12/2000	Meriwether et al.	
D370,531 S	6/1996	Ash et al.	6,180,085 B1	1/2001	Achilefu	
5,527,312 A	6/1996	Ray	6,200,322 B1	3/2001	Branch et al.	
D372,311 S	7/1996	Koros et al.	6,209,886 B1	4/2001	Estes et al.	
5,531,749 A	7/1996	Michelson	6,216,573 B1	4/2001	Moutafis et al.	
D372,781 S	8/1996	Reif	6,224,599 B1	5/2001	Baynham et al.	
5,549,607 A	8/1996	Olson et al.	6,235,805 B1	5/2001	Chang et al.	
5,554,191 A	9/1996	Lahille et al.	6,238,397 B1	5/2001	Zucherman et al.	
5,558,674 A	9/1996	Heggeness et al.	6,241,733 B1	6/2001	Nicholson et al.	
D374,283 S	10/1996	Michelson	6,241,769 B1	6/2001	Nicholson et al.	
5,562,661 A	10/1996	Yoshimi et al.	6,245,108 B1 *	6/2001	Biscup	A61F 2/4455 606/246
5,569,246 A	10/1996	Ojima et al.	D444,878 S *	7/2001	Walter	D24/145
5,586,989 A	12/1996	Bray	D445,188 S *	7/2001	Walter	D24/145
5,595,563 A	1/1997	Moisdon	6,258,094 B1	7/2001	Nicholson et al.	
5,601,557 A	2/1997	Hayhurst	6,261,293 B1	7/2001	Nicholson et al.	
D378,409 S	3/1997	Michelson	6,261,295 B1	7/2001	Nicholson et al.	
5,611,800 A	3/1997	Davis et al.	6,261,296 B1	7/2001	Aebi et al.	
5,634,925 A	6/1997	Urbanski	6,290,724 B1	9/2001	Marino	
5,653,763 A	8/1997	Errico et al.	6,299,613 B1	10/2001	Ogilvie et al.	
5,662,655 A	9/1997	Laboureau et al.	6,309,395 B1	10/2001	Smith et al.	
5,665,122 A	9/1997	Kambin	6,325,805 B1	12/2001	Ogilvie et al.	
5,683,464 A	11/1997	Wagner et al.	6,328,738 B1	12/2001	Suddaby	
5,688,285 A	11/1997	Yamada	6,336,928 B1	1/2002	Guerin et al.	
5,697,932 A	12/1997	Smith et al.	6,342,074 B1	1/2002	Simpson	
5,702,449 A	12/1997	McKay	6,364,880 B1	4/2002	Michelson	
5,704,892 A	1/1998	Adair	6,375,635 B1	4/2002	Moutafis et al.	
5,741,253 A	4/1998	Michelson	6,387,096 B1	5/2002	Hyde, Jr.	
5,752,969 A	5/1998	Cunci et al.	6,409,765 B1	6/2002	Bianchi et al.	
5,762,629 A	6/1998	Kambin	6,436,101 B1	8/2002	Hamada	
5,779,642 A	7/1998	Nightengale	6,451,017 B1	9/2002	Moutafis et al.	
5,782,919 A	7/1998	Zdeblick et al.	6,454,806 B1	9/2002	Cohen et al.	
5,797,918 A	8/1998	McGuire et al.	6,467,556 B2	10/2002	Alsrue	
5,836,948 A	11/1998	Zucherman et al.	D467,657 S	12/2002	Scribner	
5,836,958 A	11/1998	Ralph	6,500,206 B1	12/2002	Bryan	
5,860,973 A	1/1999	Michelson	6,511,493 B1	1/2003	Moutafis et al.	
5,860,977 A	1/1999	Zucherman et al.	D469,871 S	2/2003	Sand	
5,865,746 A	2/1999	Murugesan et al.	6,520,976 B1	2/2003	Gage	
5,865,846 A	2/1999	Bryan et al.	6,524,318 B1	2/2003	Longhini et al.	
5,871,462 A	2/1999	Yoder et al.	6,565,574 B2	5/2003	Michelson	
5,888,228 A	3/1999	Knothe et al.	6,569,201 B2	5/2003	Moumene et al.	
5,904,689 A	5/1999	Jonjic	6,613,091 B1	9/2003	Zdeblick et al.	
			6,616,669 B2	9/2003	Ogilvie et al.	
			6,620,356 B1	9/2003	Wong et al.	

(56)

References Cited

U.S. PATENT DOCUMENTS

6,641,613 B2	11/2003	Sennett	D574,495 S	8/2008	Petersen
6,648,915 B2	11/2003	Sazy	7,406,775 B2	8/2008	Funk et al.
6,652,533 B2	11/2003	O'Neil	7,410,334 B2	8/2008	McGrew
6,669,710 B2	12/2003	Moutafis et al.	7,410,478 B2	8/2008	Yang
6,673,113 B2	1/2004	Ralph et al.	7,413,065 B2	8/2008	Gauthier
6,679,887 B2	1/2004	Nicholson et al.	7,421,772 B2	9/2008	Gao et al.
6,695,882 B2	2/2004	Bianchi et al.	7,429,270 B2	9/2008	Baumgartner et al.
6,699,288 B2	3/2004	Moret	D579,562 S	10/2008	Anderson et al.
6,709,438 B2	3/2004	Dixon et al.	7,430,945 B2	10/2008	Gauthier et al.
6,719,760 B2	4/2004	Dorchak et al.	7,431,711 B2	10/2008	Moutafis et al.
6,719,795 B1	4/2004	Cornwall et al.	7,442,208 B2	10/2008	Mathieu et al.
6,730,125 B1	5/2004	Lin	7,455,157 B2	11/2008	Kimes et al.
6,743,257 B2	6/2004	Castro	D582,552 S	12/2008	Berberich
6,746,487 B2	6/2004	Scifert et al.	7,461,803 B2	12/2008	Boerner
6,764,491 B2	7/2004	Frey et al.	7,473,255 B2	1/2009	McGarity et al.
6,770,074 B2	8/2004	Michelson	7,476,226 B2	1/2009	Weikel et al.
6,773,437 B2	8/2004	Ogilvie et al.	7,478,577 B1	1/2009	Wheeler
6,800,093 B2	10/2004	Nicholson et al.	7,481,766 B2	1/2009	Lee et al.
6,823,871 B2 *	11/2004	Schmieding A61B 17/1714 128/898	7,481,813 B1	1/2009	Purcell
			7,485,145 B2	2/2009	Purcell
6,824,565 B2	11/2004	Muhanna et al.	D589,626 S	3/2009	Petersen
6,830,574 B2	12/2004	Heckele et al.	7,501,073 B2	3/2009	Wen et al.
6,852,126 B2	2/2005	Ahlgren	7,503,933 B2	3/2009	Michelson
6,869,430 B2	3/2005	Balbierz et al.	7,503,934 B2	3/2009	Eisermann et al.
6,890,728 B2	5/2005	Dolecek et al.	7,503,936 B2	3/2009	Trieu
6,899,712 B2	5/2005	Moutafis et al.	D590,943 S	4/2009	Petersen
6,923,792 B2	8/2005	Staid et al.	D590,945 S	4/2009	Berberich
6,929,646 B2	8/2005	Gambale	7,513,901 B2	4/2009	Scifert et al.
6,942,665 B2	9/2005	Gambale	D593,202 S	5/2009	Petersen
6,960,182 B2	11/2005	Moutafis et al.	7,531,003 B2	5/2009	Reindel
6,962,592 B2	11/2005	Gatturna et al.	7,534,265 B1	5/2009	Boyd
6,969,523 B1	11/2005	Mattern et al.	7,534,270 B2	5/2009	Ball
6,974,480 B2	12/2005	Messerli et al.	D594,119 S	6/2009	Berberich et al.
6,991,653 B2	1/2006	White et al.	7,553,320 B2	6/2009	Molz, IV et al.
6,994,728 B2	2/2006	Zubok et al.	D597,669 S	8/2009	Petersen
7,004,946 B2	2/2006	Parker et al.	D598,096 S	8/2009	Petersen
7,008,431 B2	3/2006	Simonson	D599,015 S	8/2009	Petersen
7,014,640 B2	3/2006	Kemppainen et al.	7,578,820 B2	8/2009	Moore et al.
7,025,742 B2	4/2006	Rubenstein et al.	D600,806 S	9/2009	Horton et al.
7,025,769 B1	4/2006	Ferree	D601,251 S	9/2009	Horton et al.
7,033,317 B2	4/2006	Pruitt	7,582,058 B1	9/2009	Miles et al.
7,041,136 B2	5/2006	Goble et al.	7,582,107 B2	9/2009	Trail et al.
7,066,961 B2	6/2006	Hichelson	7,595,043 B2	9/2009	Hedrick et al.
D524,443 S *	7/2006	Blain D24/155	D603,502 S	11/2009	Petersen
7,077,864 B2	7/2006	Byrd, III et al.	7,615,078 B2	11/2009	White et al.
7,094,257 B2	8/2006	Mujwid et al.	7,618,423 B1	11/2009	Valentine et al.
7,122,017 B2	10/2006	Moutafis et al.	7,625,374 B2	12/2009	Branch et al.
7,128,760 B2	10/2006	Michelson	7,632,276 B2	12/2009	Fishbein
7,135,043 B2	11/2006	Nakahara et al.	D608,001 S	1/2010	Reardon et al.
7,182,782 B2	2/2007	Kirschman	7,655,027 B2	2/2010	Michelson
7,204,825 B2	4/2007	Cimino et al.	7,658,766 B2	2/2010	Melkent et al.
7,207,992 B2	4/2007	Ritland	D611,147 S *	3/2010	Hanson D24/155
D541,940 S *	5/2007	Blain D24/155	7,671,014 B2	3/2010	Beals et al.
7,211,112 B2	5/2007	Baynham et al.	7,674,297 B2	3/2010	Falahee
7,214,186 B2	5/2007	Ritland	7,677,418 B2	3/2010	Henniges et al.
7,223,292 B2	5/2007	Messerli et al.	7,686,805 B2	3/2010	Michelson
7,232,463 B2	6/2007	Falahee	7,691,133 B2	4/2010	Partin et al.
7,238,203 B2	7/2007	Bagga et al.	7,693,562 B2	4/2010	Marino et al.
7,255,703 B2	8/2007	Mujwid et al.	7,699,852 B2	4/2010	Frankel et al.
7,267,691 B2	9/2007	Keller et al.	D615,653 S *	5/2010	Horton D24/155
7,273,498 B2	9/2007	Bianchi et al.	7,708,761 B2	5/2010	Petersen
7,288,093 B2	10/2007	Michelson	7,717,685 B2	5/2010	Moutafis et al.
7,316,070 B2	1/2008	Green	7,722,530 B2	5/2010	Davison
7,329,283 B2	2/2008	Estes et al.	7,722,613 B2	5/2010	Sutterlin et al.
7,337,538 B2	3/2008	Moutafis et al.	7,723,291 B2	5/2010	Beals et al.
7,341,590 B2	3/2008	Ferree	7,728,868 B2	6/2010	Razzaque et al.
7,341,591 B2	3/2008	Grinberg	7,730,563 B1	6/2010	Sklar et al.
7,357,284 B2	4/2008	Jauvin	7,734,327 B2	6/2010	Colquhoun
7,357,804 B2	4/2008	Binder, Jr. et al.	7,740,634 B2	6/2010	Orbay et al.
7,361,178 B2	4/2008	Hearn et al.	7,740,661 B2	6/2010	Baratz et al.
7,364,657 B2	4/2008	Mandrusov et al.	7,744,555 B2	6/2010	DiMauro et al.
7,371,239 B2	5/2008	Dec et al.	7,744,637 B2	6/2010	Johnson et al.
7,377,923 B2	5/2008	Purcell et al.	7,744,973 B2	6/2010	Schoenle et al.
7,387,643 B2	6/2008	Michelson	D620,108 S	7/2010	Eitenmueller et al.
7,399,041 B2	7/2008	Prentner et al.	7,749,231 B2	7/2010	Bonvallet et al.
			7,749,253 B2	7/2010	Zucherman et al.
			7,749,269 B2	7/2010	Peterman et al.
			7,749,273 B2	7/2010	Cauthen et al.
			7,749,274 B2	7/2010	Razian

(56)

References Cited

U.S. PATENT DOCUMENTS

7,749,276 B2	7/2010	Fitz	D628,694 S	12/2010	Donnez
7,749,279 B2	7/2010	Twomey et al.	D629,896 S	12/2010	Horton
7,749,555 B2	7/2010	Zanella	7,846,210 B2	12/2010	Perez-Cruet et al.
7,751,865 B2	7/2010	Jascob et al.	7,850,733 B2	12/2010	Baynham et al.
7,753,911 B2	7/2010	Ray et al.	7,850,735 B2	12/2010	Eisermann et al.
7,753,914 B2	7/2010	Ruhling et al.	7,850,736 B2	12/2010	Heinz et al.
7,753,938 B2	7/2010	Aschmann et al.	D631,156 S	1/2011	Halder et al.
7,753,940 B2	7/2010	Veldman et al.	7,867,277 B1	1/2011	Tohneh
7,753,962 B2	7/2010	Melder	D631,967 S *	2/2011	Horton D24/155
7,758,501 B2	7/2010	Frasier et al.	7,892,261 B2 *	2/2011	Bonutti A61B 17/562 606/279
7,758,616 B2	7/2010	LeHuec et al.	7,897,164 B2	3/2011	Scifert
7,758,617 B2	7/2010	Iott et al.	7,897,564 B2	3/2011	Beals et al.
7,758,644 B2	7/2010	Trieu	7,905,840 B2	3/2011	Pimenta et al.
7,758,648 B2	7/2010	Castleman et al.	7,905,886 B1	3/2011	Curran et al.
7,763,025 B2	7/2010	Assell et al.	7,918,891 B1	4/2011	Curran et al.
7,763,035 B2	7/2010	Melkent et al.	7,922,766 B2	4/2011	Grob et al.
7,763,055 B2	7/2010	Foley	7,927,361 B2	4/2011	Oliver et al.
7,763,078 B2	7/2010	Peterman et al.	D637,721 S	5/2011	Horton
7,763,080 B2	7/2010	Southworth	7,935,124 B2	5/2011	Frey et al.
D621,509 S	8/2010	Lovell	7,938,857 B2	5/2011	Garcia-Bengochea et al.
D622,395 S	8/2010	Iott et al.	7,939,092 B2	5/2011	McKay et al.
D622,843 S	8/2010	Horton	7,951,107 B2	5/2011	Staid et al.
D622,851 S	8/2010	Horton	7,964,208 B2	6/2011	Spagnoli et al.
7,766,914 B2	8/2010	McCormack et al.	D641,872 S	7/2011	Solingen et al.
7,766,918 B2	8/2010	Allard et al.	D641,873 S	7/2011	Solingen et al.
7,766,930 B2	8/2010	DiPoto et al.	D641,874 S	7/2011	Solingen et al.
7,766,940 B2	8/2010	Kwak et al.	D642,268 S	7/2011	Qureshi
7,766,967 B2	8/2010	Francis	7,985,256 B2	7/2011	Grotz et al.
7,766,969 B2	8/2010	Justin et al.	D643,921 S	8/2011	Davila
7,769,422 B2	8/2010	DiSilvestro et al.	D647,202 S	10/2011	Scifert
7,771,143 B2	8/2010	Bharadwaj et al.	D650,481 S *	12/2011	Gottlieb D24/155
7,771,475 B2	8/2010	Michelson	8,080,521 B2	12/2011	Beals et al.
7,771,476 B2	8/2010	Justis et al.	8,088,163 B1	1/2012	Kleiner
7,771,479 B2	8/2010	Humphreys et al.	D653,757 S *	2/2012	Binder D24/155
7,776,040 B2	8/2010	Markworth et al.	D655,414 S	3/2012	Cuschieri et al.
7,776,046 B2	8/2010	Boyd et al.	D656,610 S	3/2012	Kleiner
7,776,047 B2	8/2010	Fanger et al.	8,148,326 B2	4/2012	Beals et al.
7,776,049 B1	8/2010	Curran et al.	D660,428 S	5/2012	Hohl
7,776,075 B2	8/2010	Bruneau et al.	8,198,238 B2	6/2012	Beals et al.
7,776,090 B2	8/2010	Winslow et al.	8,246,572 B2	8/2012	Cantor et al.
7,776,091 B2	8/2010	Mastrorio et al.	D667,542 S	9/2012	Kleiner
7,776,094 B2	8/2010	McKinley et al.	8,277,510 B2	10/2012	Kleiner
7,776,095 B2	8/2010	Peterman et al.	8,292,960 B2	10/2012	Kleiner
7,776,594 B2	8/2010	Bays et al.	8,293,232 B2	10/2012	Beals et al.
7,780,707 B2	8/2010	Johnson et al.	D674,900 S *	1/2013	Janice D24/155
D623,748 S *	9/2010	Horton D24/155	8,361,152 B2	1/2013	McCormack et al.
D623,749 S *	9/2010	Horton D24/155	8,366,748 B2	2/2013	Kleiner
7,794,396 B2	9/2010	Gattani et al.	D677,791 S *	3/2013	Danacioglu D24/155
7,794,501 B2	9/2010	Edie et al.	D681,205 S *	4/2013	Farris D24/155
7,799,034 B2	9/2010	Johnson et al.	D692,133 S	10/2013	Steinwachs et al.
7,799,036 B2	9/2010	Davison et al.	8,562,685 B2 *	10/2013	Ullrich, Jr. A61F 2/442 623/17.11
7,799,053 B2	9/2010	Haid et al.	D696,399 S	12/2013	Kleiner
7,799,054 B2	9/2010	Kwak et al.	D700,322 S	2/2014	Kleiner
7,799,055 B2	9/2010	Lim	D700,332 S *	2/2014	Tyber D24/155
7,799,056 B2	9/2010	Sankaran	8,685,031 B2	4/2014	Kleiner
7,799,076 B2	9/2010	Sybert et al.	8,709,088 B2	4/2014	Kleiner et al.
7,799,078 B2	9/2010	Embry et al.	8,758,443 B2 *	6/2014	Ullrich, Jr. A61F 2/4465 623/17.11
7,799,083 B2	9/2010	Smith et al.	D708,747 S *	7/2014	Curran D24/155
7,806,901 B2	10/2010	Stad et al.	8,808,305 B2	8/2014	Kleiner
7,811,327 B2	10/2010	Hansell et al.	8,834,472 B2	9/2014	McCormack et al.
7,811,329 B2	10/2010	Ankney et al.	8,845,727 B2 *	9/2014	Gottlieb A61F 2/442 623/17.11
7,815,681 B2	10/2010	Ferguson	8,870,882 B2	10/2014	Kleiner
7,819,801 B2	10/2010	Miles et al.	8,906,028 B2	12/2014	Kleiner
7,819,921 B2	10/2010	Grotz	D721,808 S *	1/2015	Oi D24/155
D627,460 S	11/2010	Horton	8,932,295 B1	1/2015	Greenhalgh
D627,468 S *	11/2010	Richter D24/155	8,945,137 B1	2/2015	Greenhalgh et al.
7,824,328 B2	11/2010	Gattani et al.	D724,213 S *	3/2015	Tyber D24/155
7,824,332 B2	11/2010	Fakhrai	8,992,622 B2 *	3/2015	Ullrich, Jr. A61F 2/447 623/17.11
7,824,410 B2	11/2010	Simonson	D735,336 S *	7/2015	Lovell D24/155
7,824,703 B2	11/2010	Scifert et al.	2002/0010472 A1	1/2002	Kuslich et al.
7,828,804 B2	11/2010	Li et al.	2002/0049448 A1	4/2002	Sand et al.
7,828,845 B2	11/2010	Estes et al.	2002/0058947 A1	5/2002	Hochschuler et al.
7,828,849 B2	11/2010	Lim	2002/0099377 A1	7/2002	Zucherman et al.
7,837,713 B2	11/2010	Petersen	2002/0116006 A1	8/2002	Cohen
7,837,732 B2	11/2010	Zucherman et al.			

(56)

References Cited

U.S. PATENT DOCUMENTS

2003/0083748	A1	5/2003	Lee et al.		2007/0264300	A1	11/2007	Scifert et al.
2003/0125739	A1*	7/2003	Bagga	A61F 2/442 606/247	2007/0265632	A1	11/2007	Scifert et al.
2003/0149482	A1	8/2003	Michelson		2007/0270951	A1	11/2007	Davis et al.
2003/0171812	A1	9/2003	Grunberg et al.		2007/0276406	A1	11/2007	Mahoney et al.
2003/0229358	A1	12/2003	Errico et al.		2007/0288007	A1	12/2007	Burkus et al.
2004/0002713	A1	1/2004	Olson et al.		2007/0293948	A1	12/2007	Bagga et al.
2004/0024466	A1	2/2004	Heerklotz et al.		2008/0003255	A1	1/2008	Kerr et al.
2004/0073314	A1	4/2004	White et al.		2008/0009929	A1	1/2008	Harris et al.
2004/0087956	A1	5/2004	Weikel et al.		2008/0033440	A1	2/2008	Moskowitz et al.
2004/0133211	A1	7/2004	Raskin et al.		2008/0058606	A1	3/2008	Miles et al.
2004/0133217	A1	7/2004	Watschke		2008/0071284	A1	3/2008	Lechmann et al.
2004/0143330	A1	7/2004	Sazy		2008/0086142	A1	4/2008	Kohm et al.
2004/0148027	A1	7/2004	Errico et al.		2008/0125856	A1	5/2008	Perez-Cruet et al.
2004/0153158	A1	8/2004	Errico et al.		2008/0147191	A1	6/2008	Lopez et al.
2004/0167532	A1	8/2004	Olson, Jr. et al.		2008/0154375	A1	6/2008	Serhan et al.
2004/0176853	A1	9/2004	Sennett et al.		2008/0154377	A1	6/2008	Voellmicke
2004/0215201	A1	10/2004	Lieberman		2008/0154381	A1	6/2008	Parrish
2004/0230211	A1	11/2004	Moutafis et al.		2008/0172127	A1	7/2008	Perez-Cruet et al.
2005/0070900	A1	3/2005	Serhan et al.		2008/0195058	A1	8/2008	Moutafis et al.
2005/0096601	A1	5/2005	Doyle		2008/0228225	A1	9/2008	Trautwein et al.
2005/0112091	A1	5/2005	DiMauro et al.		2008/0243126	A1	10/2008	Gutierrez et al.
2005/0124993	A1	6/2005	Chappuis		2008/0249569	A1	10/2008	Waugh et al.
2005/0124994	A1	6/2005	Berger et al.		2008/0255564	A1	10/2008	Michelson
2005/0149035	A1	7/2005	Pimenta et al.		2008/0255666	A1	10/2008	Fisher et al.
2005/0149192	A1	7/2005	Zucherman et al.		2008/0260598	A1	10/2008	Scifert et al.
2005/0159765	A1	7/2005	Moutafis et al.		2008/0269904	A1	10/2008	Voorhies
2005/0165405	A1	7/2005	Tsou		2008/0288071	A1	11/2008	Biyani et al.
2005/0216002	A1	9/2005	Simonson		2008/0300598	A1	12/2008	Barreiro et al.
2005/0216018	A1	9/2005	Sennett		2009/0043312	A1	2/2009	Koulisis
2005/0251146	A1	11/2005	Martz et al.		2009/0076440	A1	3/2009	Moutafis et al.
2005/0251257	A1	11/2005	Mitchell et al.		2009/0076556	A1	3/2009	McGarity et al.
2005/0261781	A1	11/2005	Sennett et al.		2009/0088765	A1	4/2009	Butler et al.
2005/0283150	A1	12/2005	Moutafis et al.		2009/0098184	A1	4/2009	Govil et al.
2006/0004367	A1	1/2006	Alamin et al.		2009/0099660	A1	4/2009	Scifert et al.
2006/0015184	A1	1/2006	Winterbottom et al.		2009/0105718	A1	4/2009	Zhang et al.
2006/0058585	A1	3/2006	Oberlaender et al.		2009/0124860	A1	5/2009	Miles et al.
2006/0058807	A1	3/2006	Landry et al.		2009/0124980	A1	5/2009	Chen
2006/0100304	A1	5/2006	Vresilovic et al.		2009/0125066	A1	5/2009	Krau et al.
2006/0100705	A1*	5/2006	Puno	A61F 2/30771 623/17.11	2009/0142385	A1	6/2009	Gross et al.
2006/0111779	A1	5/2006	Petersen		2009/0187194	A1	7/2009	Hamada
2006/0111780	A1	5/2006	Petersen		2009/0192350	A1	7/2009	Meja
2006/0116770	A1	6/2006	White et al.		2009/0192403	A1	7/2009	Gharib et al.
2006/0122597	A1	6/2006	Jones et al.		2009/0198245	A1	8/2009	Phan
2006/0154366	A1	7/2006	Brown et al.		2009/0198249	A1	8/2009	Ziegler
2006/0155170	A1	7/2006	Hanson et al.		2009/0198337	A1	8/2009	Phan
2006/0167461	A1	7/2006	Hawkins et al.		2009/0198338	A1	8/2009	Phan
2006/0190081	A1	8/2006	Kraus		2009/0198339	A1	8/2009	Kleiner et al.
2006/0229550	A1	10/2006	Staid et al.		2009/0203967	A1	8/2009	Branch et al.
2006/0247650	A1	11/2006	Yerby et al.		2009/0204148	A1	8/2009	Lenke
2006/0247791	A1	11/2006	McKay et al.		2009/0204159	A1	8/2009	Justis et al.
2006/0264808	A1	11/2006	Staid et al.		2009/0204220	A1	8/2009	Trieu
2006/0264964	A1	11/2006	Scifert et al.		2009/0222011	A1	9/2009	Lehuc et al.
2007/0003598	A1	1/2007	Trieu		2009/0228107	A1	9/2009	Michelson
2007/0043376	A1	2/2007	Leatherbury et al.		2009/0246244	A1	10/2009	McKay et al.
2007/0043442	A1	2/2007	Abernathie		2009/0248163	A1	10/2009	King et al.
2007/0067034	A1	3/2007	Chirico et al.		2009/0259108	A1	10/2009	Miles et al.
2007/0073110	A1	3/2007	Larson et al.		2009/0264892	A1	10/2009	Beyar et al.
2007/0073294	A1	3/2007	Chin et al.		2009/0275995	A1	11/2009	Truckai
2007/0088007	A1	4/2007	Ng		2009/0299477	A1	12/2009	Clayton et al.
2007/0093850	A1	4/2007	Harris et al.		2009/0306671	A1	12/2009	McCormack et al.
2007/0123985	A1	5/2007	Errico et al.		2009/0306692	A1	12/2009	Barrington et al.
2007/0172790	A1	7/2007	Doucette, Jr. et al.		2010/0004752	A1	1/2010	White et al.
2007/0185496	A1	8/2007	Beckman et al.		2010/0010367	A1	1/2010	Foley et al.
2007/0208423	A1	9/2007	Messerli et al.		2010/0010524	A1	1/2010	Barrington et al.
2007/0213596	A1	9/2007	Hamada		2010/0016903	A1	1/2010	Matityahu et al.
2007/0213717	A1	9/2007	Trieu		2010/0016972	A1	1/2010	Jansen et al.
2007/0213718	A1	9/2007	Trieu		2010/0016973	A1	1/2010	de Villiers et al.
2007/0213822	A1	9/2007	Trieu		2010/0021518	A1	1/2010	Scifert et al.
2007/0213826	A1	9/2007	Smith et al.		2010/0030065	A1	2/2010	Farr et al.
2007/0225219	A1	9/2007	Boden et al.		2010/0036226	A9	2/2010	Marino et al.
2007/0225811	A1	9/2007	Scifert et al.		2010/0036442	A1	2/2010	Laurysen et al.
2007/0242869	A1	10/2007	Luo et al.		2010/0042221	A1	2/2010	Boyd
2007/0250166	A1	10/2007	McKay		2010/0057208	A1	3/2010	Dryer
					2010/0063516	A1	3/2010	Parmer et al.
					2010/0063554	A1	3/2010	Branch et al.
					2010/0076335	A1	3/2010	Gharib et al.
					2010/0076445	A1	3/2010	Pagano
					2010/0076446	A1	3/2010	Gorek
					2010/0082036	A1	4/2010	Reiley et al.

(56)

References Cited

U.S. PATENT DOCUMENTS

2010/0087828 A1 4/2010 Krueger et al.
 2010/0087875 A1 4/2010 McGahan et al.
 2010/0100141 A1 4/2010 de Villiers et al.
 2010/0105986 A1 4/2010 Miles et al.
 2010/0105987 A1 4/2010 Miles et al.
 2010/0112029 A1 5/2010 Scifert
 2010/0121365 A1 5/2010 O'Sullivan et al.
 2010/0121453 A1 5/2010 Peterman
 2010/0125333 A1 5/2010 Zdeblick et al.
 2010/0125338 A1 5/2010 Fitz
 2010/0131020 A1 5/2010 Heinz et al.
 2010/0137690 A1 6/2010 Miles et al.
 2010/0137923 A1 6/2010 Greenhalgh et al.
 2010/0145390 A1 6/2010 McCarthy et al.
 2010/0145452 A1 6/2010 Blaylock et al.
 2010/0145461 A1 6/2010 Landry et al.
 2010/0160923 A1 6/2010 Sand et al.
 2010/0160982 A1 6/2010 Justis et al.
 2010/0161062 A1 6/2010 Foley et al.
 2010/0161074 A1 6/2010 McKay
 2010/0168755 A1 7/2010 Reiley et al.
 2010/0168862 A1 7/2010 Edie et al.
 2010/0174326 A1 7/2010 Selover et al.
 2010/0185286 A1 7/2010 Allard
 2010/0185287 A1 7/2010 Allard
 2010/0185288 A1 7/2010 Carls
 2010/0191241 A1 7/2010 McCormack et al.
 2010/0191334 A1 7/2010 Keller
 2010/0191337 A1 7/2010 Zamani et al.
 2010/0198140 A1 8/2010 Lawson
 2010/0199483 A1 8/2010 Justis et al.
 2010/0204798 A1 8/2010 Gerbec et al.
 2010/0217398 A1 8/2010 Keller
 2010/0222784 A1 9/2010 Schwab et al.
 2010/0222824 A1 9/2010 Simonson
 2010/0228294 A1 9/2010 LeHuec et al.
 2010/0228351 A1 9/2010 Ankney et al.
 2010/0234848 A1 9/2010 Sutterlin et al.
 2010/0234957 A1 9/2010 Zdeblick et al.
 2010/0249934 A1 9/2010 Melkent
 2010/0256767 A1 10/2010 Melkent
 2010/0256768 A1 10/2010 Lim et al.
 2010/0262241 A1 10/2010 Eisermann et al.
 2010/0262245 A1 10/2010 Alfaro et al.
 2010/0266689 A1 10/2010 Simonton et al.
 2010/0280622 A1 11/2010 McKinley
 2010/0286778 A1 11/2010 Eisermann et al.
 2010/0286784 A1 11/2010 Curran et al.
 2010/0298938 A1 11/2010 Humphreys et al.
 2010/0305575 A1 12/2010 Wilkinson et al.
 2010/0312103 A1 12/2010 Gorek et al.
 2010/0312290 A1 12/2010 McKinley et al.
 2010/0312347 A1 12/2010 Arramon et al.
 2010/0331847 A1 12/2010 Wilkinson et al.
 2010/0331891 A1 12/2010 Culbert et al.
 2011/0014587 A1 1/2011 Spagnoli et al.
 2011/0015748 A1 1/2011 Molz, IV et al.
 2011/0020768 A1 1/2011 Spagnoli et al.
 2011/0021427 A1 1/2011 Amsden et al.
 2011/0028393 A1 2/2011 Vickers et al.
 2011/0093005 A1 4/2011 Strokosz et al.
 2011/0106162 A1 5/2011 Ballard et al.
 2011/0144755 A1 6/2011 Baynham et al.
 2011/0160777 A1 6/2011 Spagnoli et al.
 2011/0184412 A1 7/2011 Scifert et al.
 2011/0230970 A1 9/2011 Lynn et al.
 2012/0022651 A1 1/2012 Akyuz et al.
 2012/0035668 A1 2/2012 Manninen et al.
 2012/0065613 A1 3/2012 Pepper et al.
 2012/0065687 A1 3/2012 Ballard et al.
 2012/0078315 A1 3/2012 Sweeney
 2012/0136442 A1 5/2012 Kleiner
 2012/0259335 A1 10/2012 Scifert et al.
 2013/0073041 A1 3/2013 Scifert et al.

2013/0110169 A1 5/2013 Hynes et al.
 2013/0184822 A1 7/2013 Kleiner
 2014/0100657 A1 4/2014 McCormack et al.

FOREIGN PATENT DOCUMENTS

JP 2002-052331 2/2002
 JP 2009-534140 9/2009
 JP 2009-535115 10/2009
 WO WO 95/22402 8/1995
 WO WO 99/08627 2/1999
 WO WO 02/17801 3/2002
 WO WO 2005/037149 4/2005
 WO WO 2005/071190 8/2005
 WO WO 2007/122006 11/2007
 WO WO 2007/127666 11/2007

OTHER PUBLICATIONS

U.S. Appl. No. 29/453,829, filed May 3, 2013, Kleiner.
 U.S. Appl. No. 14/263,963, filed Apr. 28, 2014, Kleiner et al.
 U.S. Appl. No. 14/461,682, filed Aug. 18, 2014, Kleiner.
 U.S. Appl. No. 14/507,367, filed Oct. 6, 2014, Kleiner.
 "BAK® /Proximity™ (BP®) Cage", Zimmer Website, as early as Oct. 23, 2007, available at www.zimmer.com/z/ctl/op/global/action/1/id/7930/template/MP/prcat/M6/prod/y, printed on Jun. 8, 2009, 1 page.
 "BAK® Vista® Radiolucent Interbody Fusion System", Zimmer Website, as early as Oct. 25, 2005, available at www.zimmerindia.com/z/ctl/op/global/action/1/id/7809/template/MP/prcat/M6/prod/y, printed on Jun. 8, 2009, pp. 1-2.
 "Facet Joint Syndrome," The Cleveland Clinic Foundation, copyright 1995-2008, printed Nov. 19, 2008, available at www.my.clevelandclinic.org/disorders/facet_joint_syndrome/hic_facet_joint_syndrome.aspx, 2 pages.
 "Screws, Cages or Both", Spine Universe Website, as early as Aug. 18, 2002, available at www.spineuniverse.com/displayarticle.php/article1363.html, printed on Jun. 8, 2009, pp. 1-13
 "University of Maryland Spine Program: A Patient's Guide to Anterior Lumbar Interbody Fusion with Intervertebral Cages", University of Maryland Medical Center website, as early as 2003, available at www.umm.edu/spinecenter/education/anterior_lumbar_interbody_fusion_with_intervertebral_cages.htm, printed on Jun. 8, 2009, pp. 1-4.
 "Vertebral column," from Wikipedia, the free encyclopedia, printed May 19, 2009, retrieved from www.en.wikipedia.org/wiki/Vertebral_column, 6 pages.
 Ehrenberg, "The 3-D Printing Revolution," Science News, Mar. 9, 2013, pp. 20-25.
 Ray, "Facet Joint Disorders and Back Pain," published on Spine-Health, Dec. 10, 2002, available at www.spine-health.com/conditions/arthritis/facet-joint-disorders-and-back-pain, 1 page.
 Staehler, "Spine Surgery for a Cervical Herniated Disc," published on Spine-Health, Jun. 12, 2002, available at www.spine-health.com/conditions/herniated-disc/spine-surgery-a-cervical-herniated-disc, 2 pages.
 Staehler, "Summary of Cervical Herniated Disc Treatment Options," published on Spine-Health, Jun. 12, 2002, available at www.spine-health.com/conditions/herniated-disc/summary-cervical-herniated-disc-treatment-options, 1 page.
 Ullrich, "Anterior Cervical Spinal Fusion Surgery," published on Spine-Health, Oct. 7, 2005, available at www.spine-health.com/treatment/back-surgery/anterior-cervical-spinal-fusion-surgery, 2 pages.
 Ullrich, "Cervical Spinal Instrumentation," published on Spine-Health, Oct. 7, 2005, available at www.spine-health.com/treatment/back-surgery/cervical-spinal-instrumentation, 2 pages.
 Wascher, "Anterior cervical decompression and spine fusion procedure," published on Spine-Health, Aug. 29, 2001, available at www.spine-health.com/treatment/spinal-fusion/anterior-cervical-decompression-and-spine-fusion-procedure, 2 pages.
 "Zygapophysial joint," from Wikipedia, the free encyclopedia, printed May 19, 2009, retrieved from www.en.wikipedia.org/wiki/Zygapophysial_joint, 2 pages.

(56)

References Cited

OTHER PUBLICATIONS

International Search Report for International (PCT) Patent Application No. PCT/US11/52278, mailed Jan. 18, 2012 2 pages.

Written Opinion for International (PCT) Patent Application No. PCT/US11/52278, mailed Jan. 18, 2012 5 pages.

International Preliminary Report on Patentability for International (PCT) Patent Application No. PCT/US11/52278, mailed Apr. 4, 2013 7 pages.

Official Action for Australian Patent Application No. 2011305680, dated Jan. 31, 2014, 2 pages.

Notice of Acceptance for Australian Patent Application No. 2011305680, dated Aug. 27, 2014, 2 pages.

Official Action for Canadian Patent Application No. 2,811,018, dated Feb. 6, 2014, 2 pages.

Official Action for European Patent Application No. 11827323.4, dated Jul. 21, 2014, 3 pages.

Extended European Search Report for European Patent Application No. 11827323.4, dated Oct. 17, 2014, 9 pages.

International Search Report and Written Opinion for International (PCT) Patent Application No. PCT/US2013/023992 mailed Apr. 26, 2013, 8 pages.

International Preliminary Report on Patentability for International (PCT) Patent Application No. PCT/US2013/023992 mailed Aug. 14, 2014, 6 pages.

Notice of Allowance for Japanese Patent Application No. 2013-25835, mailed Mar. 28, 2014, 2 pages (includes English translation).

Official Action for Canadian Patent Application No. 153952, dated Apr. 15, 2014, 1 page.

International Search Report for International (PCT) Patent Application No. PCT/US2009/033488, mailed. Mar. 25, 2009, 2 pages.

Written Opinion for International (PCT) Patent Application No. PCT/US2009/033488, mailed Mar. 25, 2009, 9 pages.

Official Action for U.S. Appl. No. 12/886,452, mailed May 9, 2012 19 pages.

Official Action for U.S. Appl. No. 12/886,452, mailed Oct. 16, 2012 15 pages.

Notice of Allowance for U.S. Appl. No. 12/886,452, mailed Jul. 15, 2014 7 pages.

Official Action for U.S. Appl. No. 13/367,295, mailed May 2, 2012 16 pages.

Official Action for U.S. Appl. No. 13/367,295, mailed Oct. 15, 2012 14 pages.

Official Action for U.S. Appl. No. 13/367,295, mailed Jul. 14, 2014 9 pages.

Notice of Allowance for U.S. Appl. No. 13/947,255, mailed Oct. 17, 2013 16 pages.

Notice of Allowance for U.S. Appl. No. 14/088,148, mailed Feb. 3, 2014 11 pages.

Notice of Allowance for U.S. Appl. No. 29/453,829, mailed Oct. 8, 2014, 8 pages.

U.S. Appl. No. 14/214,031, filed Mar. 14, 2014, Greenhalgh.

Official Action for Canadian Patent Application No. 2,811,018, dated Dec. 8, 2014, 3 pages.

Official Action (English translation) for Japanese Patent Application No. 2013-529407, mailed Aug. 4, 2015, 3 pages.

Notice of Allowance (with English translation) for Chinese Patent Application No. 201530104963.1, mailed Sep. 6, 2015, 5 pages.

Notice of Allowance for U.S. Appl. No. 13/714,971, mailed Apr. 30, 2015 11 pages.

Notice of Allowance for U.S. Appl. No. 14/263,963, mailed Jun. 29, 2015 10 pages.

* cited by examiner

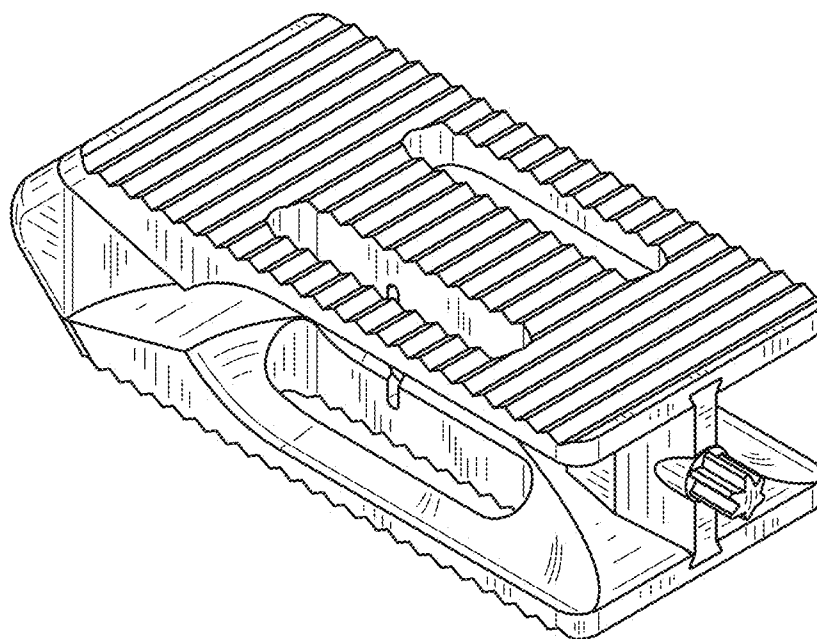


FIG.1

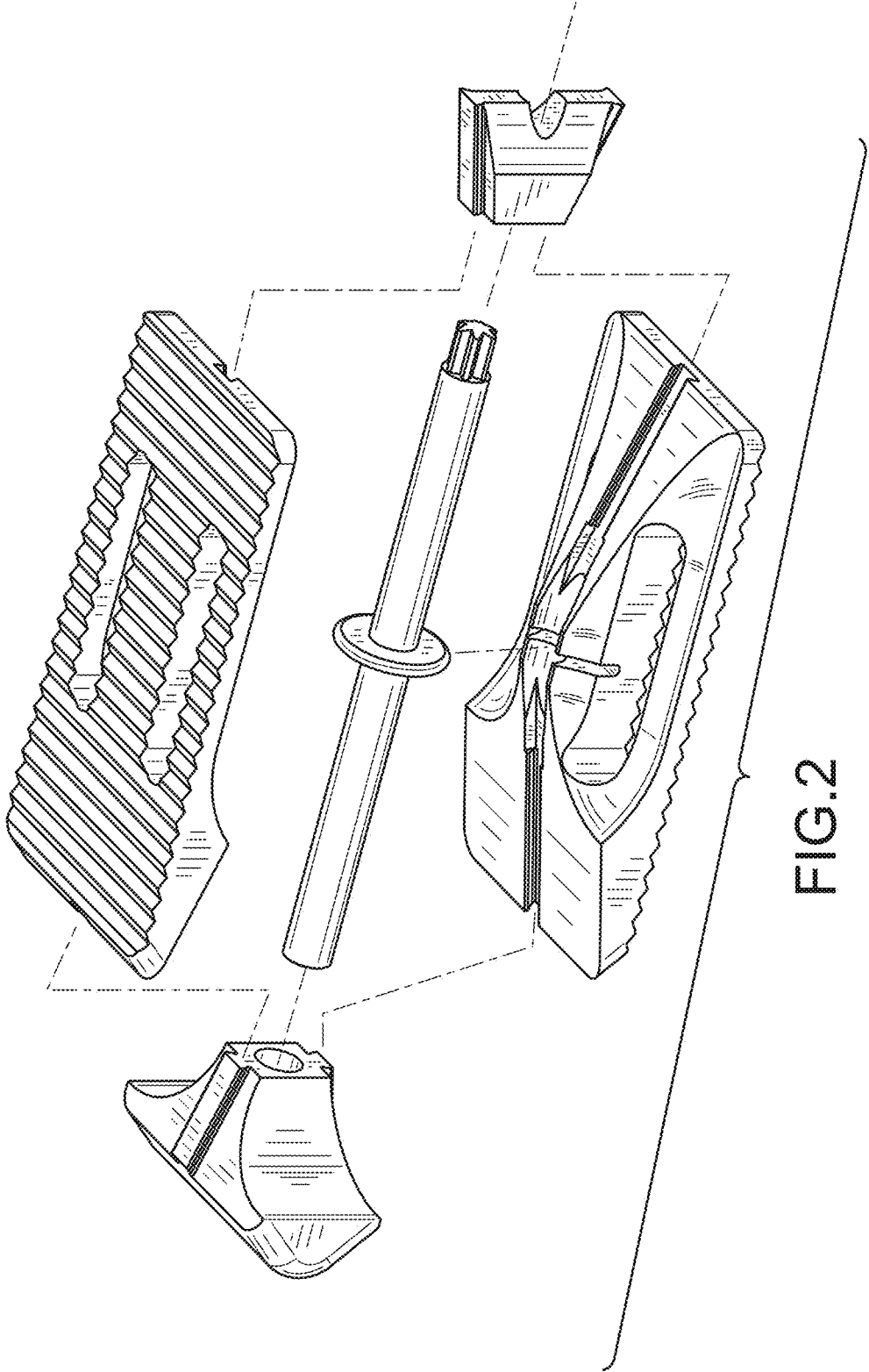


FIG.2

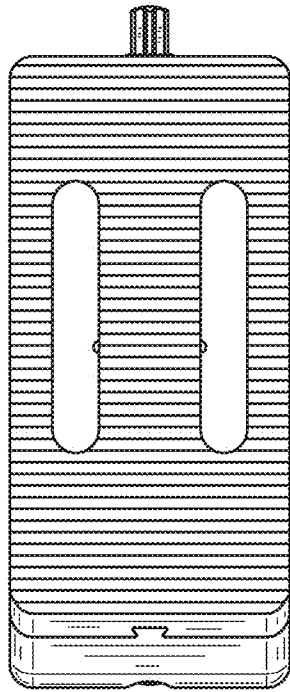


FIG.3

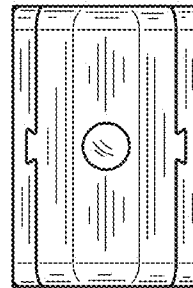


FIG.4

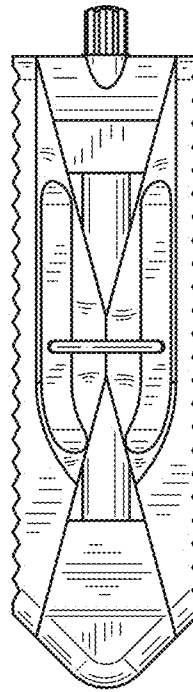


FIG.5

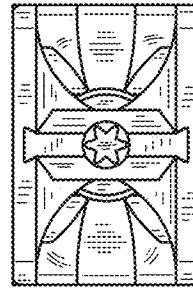


FIG.6

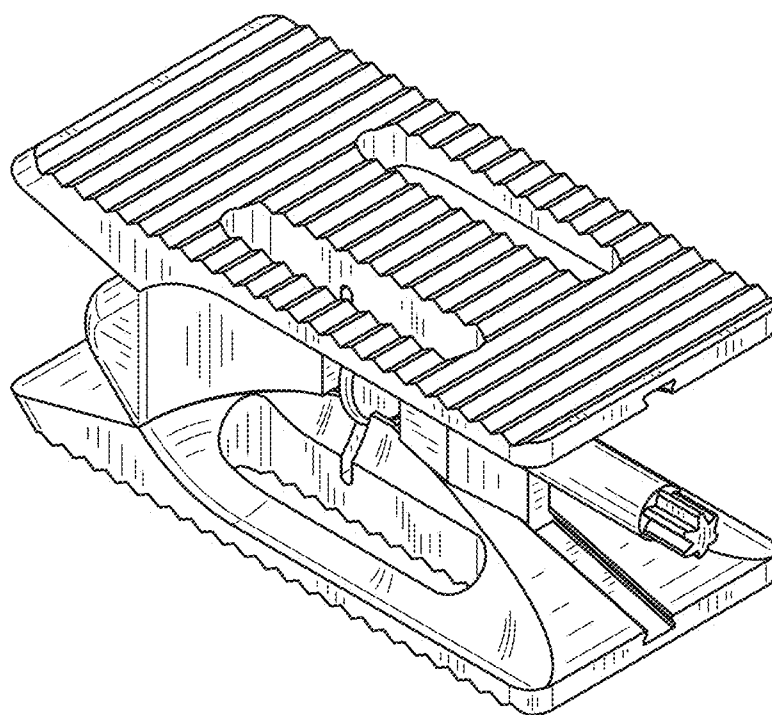


FIG.7

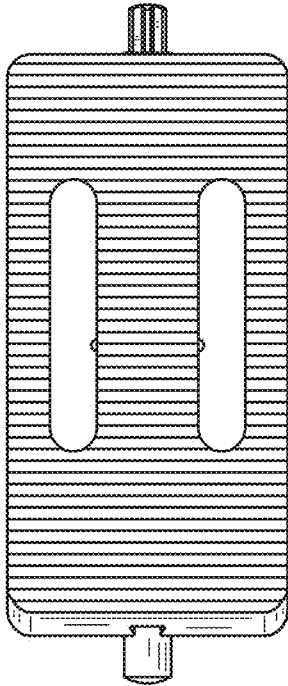


FIG. 8

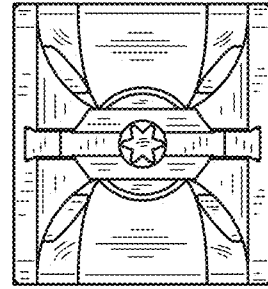


FIG. 11

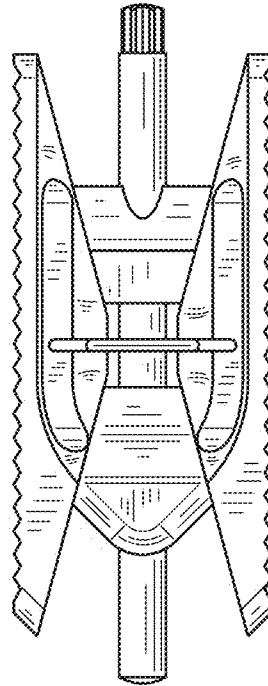


FIG. 10

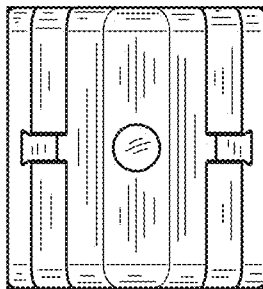


FIG. 9