



US00D996970S

(12) **United States Design Patent**  
**Ruthe-Steinsiek et al.**

(10) **Patent No.:** **US D996,970 S**  
(45) **Date of Patent:** **\*\* Aug. 29, 2023**

- (54) **DISPENSING NOZZLE**
- (71) Applicant: **Henkel AG & Co. KGaA**, Duesseldorf (DE)
- (72) Inventors: **Kai Ruthe-Steinsiek**, Duesseldorf (DE); **Karsten Wolf**, Duesseldorf (DE)
- (73) Assignee: **Henkel AG & Co. KGaA**, Duesseldorf (DE)
- (\*\*) Term: **15 Years**
- (21) Appl. No.: **29/866,555**
- (22) Filed: **Sep. 19, 2022**

D443,488 S *	6/2001	Palladino	.....	D9/447
D476,565 S *	7/2003	Rosen	.....	D9/447
D545,218 S *	6/2007	Rushe	.....	D9/724
D631,346 S *	1/2011	Schwartz	.....	D9/443
D675,108 S *	1/2013	Muhl	.....	D9/724
D700,511 S *	3/2014	Agassi	.....	D9/447
D718,131 S *	11/2014	Brown	.....	D9/447

(Continued)

**FOREIGN PATENT DOCUMENTS**

IN	225808-0001	*	2/2011
KR	300841451.0000	*	2/2016

**OTHER PUBLICATIONS**

Amazon Customer, Aug. 25, 2019, Amazon.com Product Review Post, URL: [https://www.amazon.com/ORXPLUS-TOOLS-Applicator-Silicone-Caulking/dp/B07MJDDYDG/ref=sr\\_1\\_19?dchild=1&keywords=Caulking+Applicator+Nozzle&qid=1629386957&sr=8-19#customerReviews](https://www.amazon.com/ORXPLUS-TOOLS-Applicator-Silicone-Caulking/dp/B07MJDDYDG/ref=sr_1_19?dchild=1&keywords=Caulking+Applicator+Nozzle&qid=1629386957&sr=8-19#customerReviews) (Year: 2019).\*

*Primary Examiner* — Brett Miller  
*Assistant Examiner* — Rani J Abdallah  
(74) *Attorney, Agent, or Firm* — James E. Piotrowski

**Related U.S. Application Data**

- (60) Continuation of application No. 29/829,454, filed on Mar. 4, 2022, which is a division of application No. 29/737,811, filed on Jun. 11, 2020, now Pat. No. Des. 949,015.

**Foreign Application Priority Data**

Dec. 12, 2019 (EM) ..... 007384227

- (51) **LOC (14) Cl.** ..... **09-07**
- (52) **U.S. Cl.**  
USPC ..... **D9/447**

**Field of Classification Search**

USPC ..... D9/439, 440, 442-449, 682, 685, 686, D9/435, 450, 454; D6/515; D7/507, D7/509-511, 523, 391, 392, 392.1, 396.2, D7/605, 608, 900  
CPC .... B65D 83/205; B65D 83/206; B65D 83/40; B65D 2543/00046; A47G 19/2272  
See application file for complete search history.

**References Cited**

**U.S. PATENT DOCUMENTS**

D241,623 S *	9/1976	Meeks	.....	D9/447
D358,329 S *	5/1995	Dickie	.....	D9/443

(57) **CLAIM**

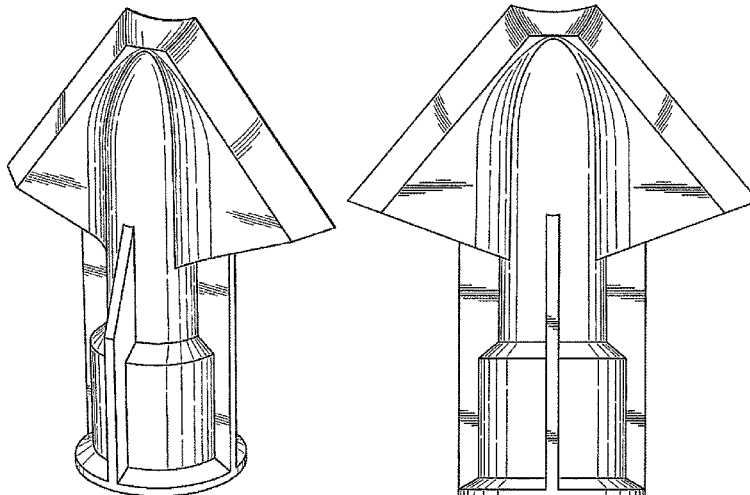
The ornamental design for a dispensing nozzle, as shown and described.

**DESCRIPTION**

FIG. 1 is a front perspective view;  
FIG. 2 is a front elevational view thereof;  
FIG. 3 is a rear elevational view thereof;  
FIG. 4 is a left elevational view thereof;  
FIG. 5 is a right elevational view thereof;  
FIG. 6 is a bottom plan view thereof; and,  
FIG. 7 is a top plan view thereof.

Any dotted lines shown in the accompanying drawings are intended to illustrate environmental features not intended to be a part of the claimed drawing in the figures in which they appear.

**1 Claim, 7 Drawing Sheets**



(56)

**References Cited**

U.S. PATENT DOCUMENTS

D721,581 S \* 1/2015 Brown ..... D9/447  
D737,143 S \* 8/2015 Brown ..... D9/447  
D764,915 S \* 8/2016 Schwartz ..... B65D 41/04  
D9/443  
D803,054 S \* 11/2017 van Spronsen ..... B05D 5/005  
D9/443  
D813,669 S \* 3/2018 Pentland ..... D9/447  
D832,703 S \* 11/2018 Brown ..... D9/447  
D898,569 S \* 10/2020 Pentland ..... D8/45  
D898,570 S \* 10/2020 Pentland ..... D13/156  
D912,512 S \* 3/2021 Ruthe-Steinsiek ..... D8/45  
2010/0294773 A1 \* 11/2010 Schwartz ..... B65D 41/04  
220/288  
2015/0024131 A1 \* 1/2015 Evans ..... B05D 5/005  
427/207.1

\* cited by examiner

Fig. 1

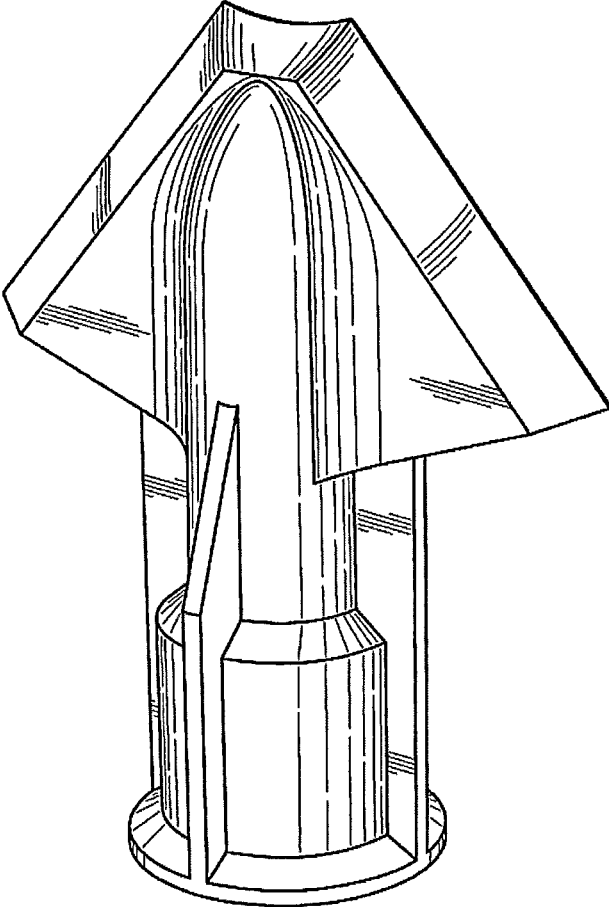


Fig. 2

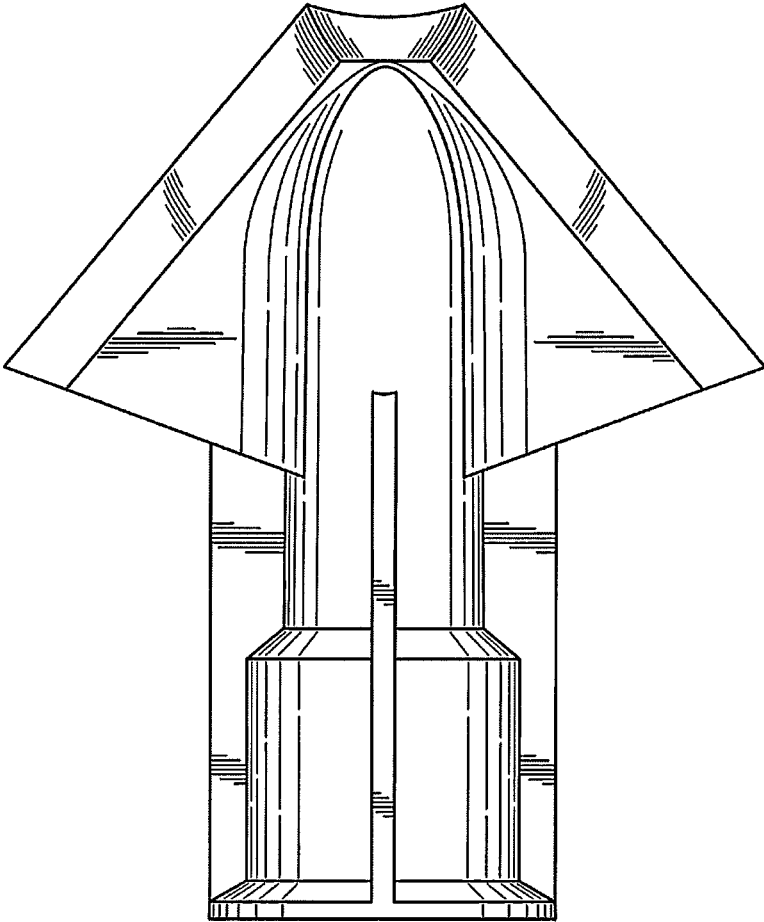


Fig. 3

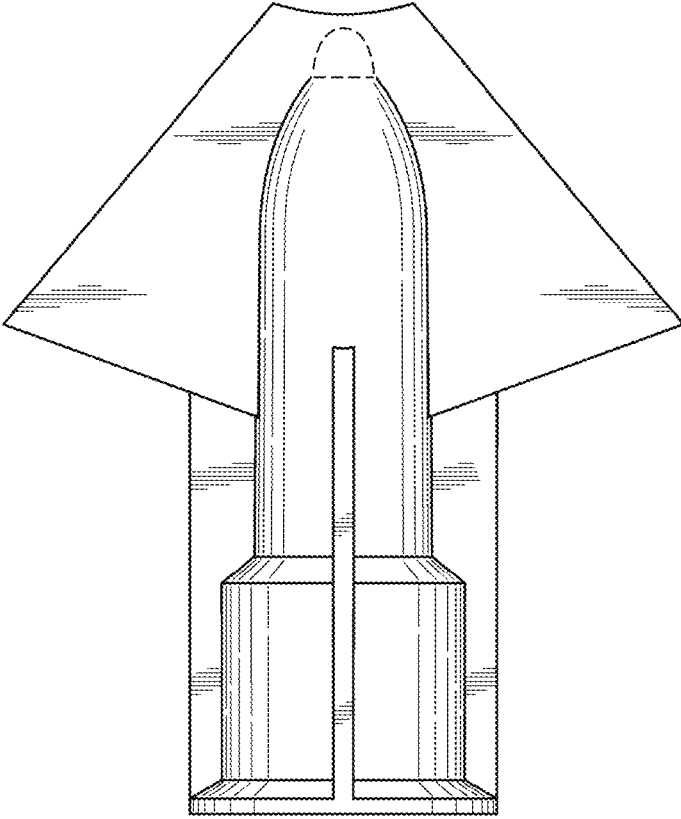


Fig. 4

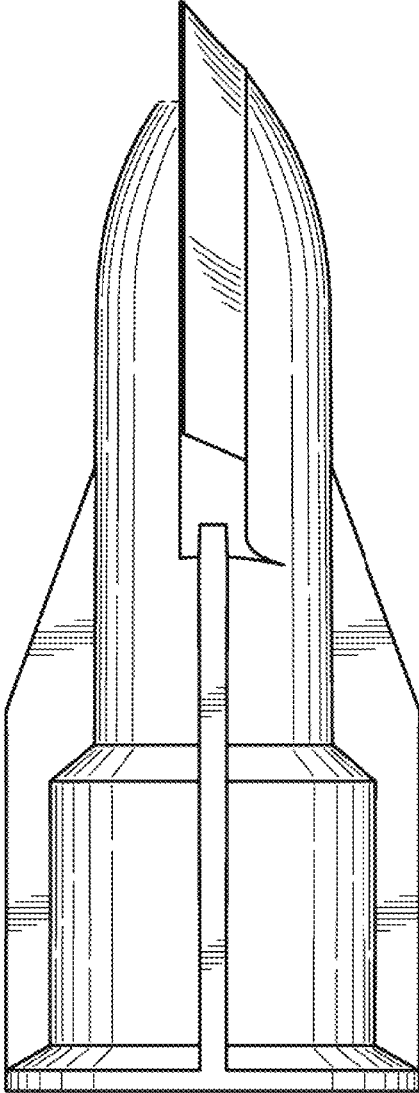


Fig. 5

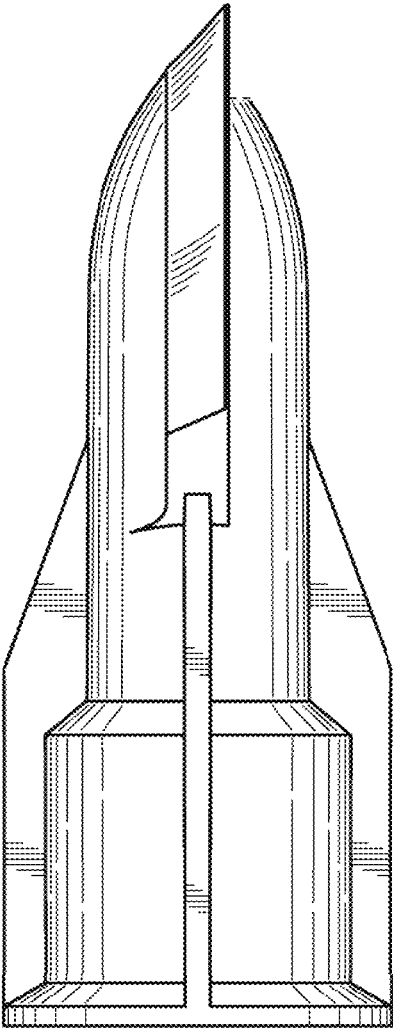


Fig. 6

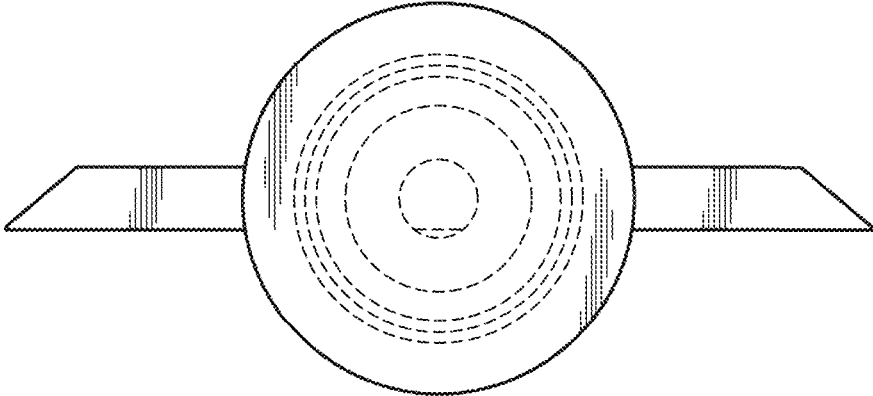


Fig. 7

