



US00D875913S

(12) **United States Design Patent**  
**Puikkonen et al.**

(10) **Patent No.:** **US D875,913 S**

(45) **Date of Patent:** **\*\* Feb. 18, 2020**

(54) **PREFABRICATED OR PREASSEMBLED BUILDING PART**

D102,181 S \* 12/1936 Engl ..... D23/336  
D143,003 S \* 11/1945 Hoiland ..... D23/402  
2,763,196 A \* 9/1956 Singleton ..... F23L 17/02

(71) Applicant: **VILPE OY**, Mustasaari (FI)

2,868,106 A \* 1/1959 Knutson ..... F24F 7/025

(72) Inventors: **Pasi Puikkonen**, Mustasaari (FI); **Eero Saikkonen**, Vaasa (FI); **Veli-Pekka Lahti**, Härmä (FI); **Kaj Friis**, Vaasa (FI)

454/355

4,351,781 A \* 9/1982 Blatter ..... F24F 6/04

239/193

D276,647 S \* 12/1984 Breidert ..... D23/376

4,549,693 A \* 10/1985 Barlics ..... A61L 9/12

206/0.5

(73) Assignee: **Vilpe OY** (FI)

D281,274 S \* 11/1985 Wright, Jr. .... D23/376

D289,323 S \* 4/1987 Yamaguchi ..... D23/416

(\*\*) Term: **15 Years**

D299,529 S \* 1/1989 Best ..... D23/373

D310,262 S \* 8/1990 Lemire ..... D23/336

5,125,198 A \* 6/1992 Giumenta ..... E04F 17/026

(21) Appl. No.: **35/504,585**

285/424

(22) Filed: **Oct. 26, 2017**

D382,951 S \* 8/1997 Deines ..... D23/332

D396,100 S \* 7/1998 Brummer ..... D23/374

D488,550 S \* 4/2004 Taylor ..... D23/374

(80) **Hague Agreement Data**

Int. Filing Date: **Oct. 26, 2017**

Int. Reg. No.: **DM/100060**

Int. Reg. Date: **Oct. 26, 2017**

Int. Reg. Pub. Date: **Mar. 16, 2018**

D535,010 S \* 1/2007 Arnold, Jr. .... D23/374

D592,298 S \* 5/2009 Arnold, Jr. .... D23/374

D619,237 S \* 7/2010 Arnold, Jr. .... D23/374

D627,045 S \* 11/2010 Arnold, Jr. .... D23/374

(Continued)

*Primary Examiner* — Richard E Chilcot

(30) **Foreign Application Priority Data**

Apr. 27, 2017 (EM) ..... 003876143

(51) **LOC (12) Cl.** ..... **23-04**

(52) **U.S. Cl.**

USPC ..... **D23/374**

CPC ..... **F24F 7/02** (2013.01)

(58) **Field of Classification Search**

USPC ..... D23/315, 351, 354, 364, 415–418, 499

CPC ..... F24F 7/02; F24F 7/025; F23J 2213/50

See application file for complete search history.

(56) **References Cited**

**U.S. PATENT DOCUMENTS**

1,235,609 A \* 8/1917 Sodemann ..... F23L 17/02

454/36

D52,501 S \* 9/1918 White et al. .... D23/336

(57) **CLAIM**

The ornamental design for a prefabricated or pre-assembled building part, as shown and described.

**DESCRIPTION**

1. Prefabricated or pre-assembled building part

**1.1** : Top

**1.2** : Bottom

**1.3** : Front

**1.4** : Perspective

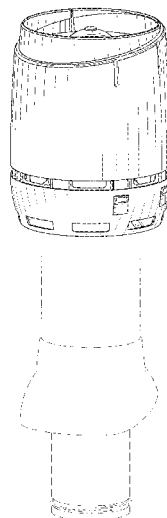
**1.5** : Right

**1.6** : Back

**1.7** : Left

The broken lines showing the prefabricated preassembled building part are for the purpose of illustrating environment and form no part of the claimed design.

**1 Claim, 7 Drawing Sheets**



(56)

**References Cited**

U.S. PATENT DOCUMENTS

D677,375	S *	3/2013	Arnold, Jr. ....	D23/373
D678,498	S *	3/2013	Proulx .....	D23/373
8,696,416	B1 *	4/2014	Arnold, Jr. ....	F23L 17/04 454/12
D802,731	S *	11/2017	Arnold, Jr. ....	D23/374
2006/0246833	A1 *	11/2006	Arnold, Jr. ....	E04F 17/026 454/12
2015/0308323	A1 *	10/2015	Nagano .....	F23J 11/00 60/324
2016/0040898	A1 *	2/2016	Lipinski .....	F23L 17/04 454/242

\* cited by examiner

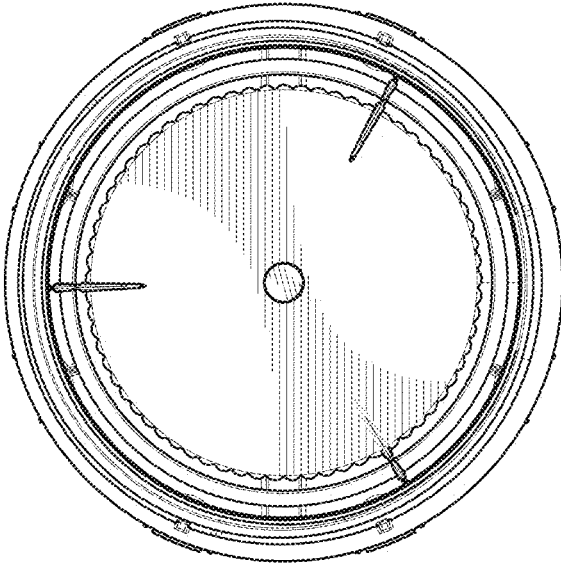


FIG. 1.1

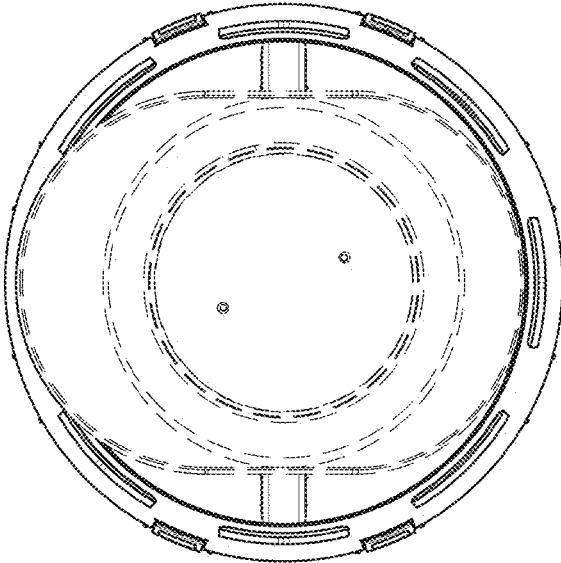


FIG. 1.2

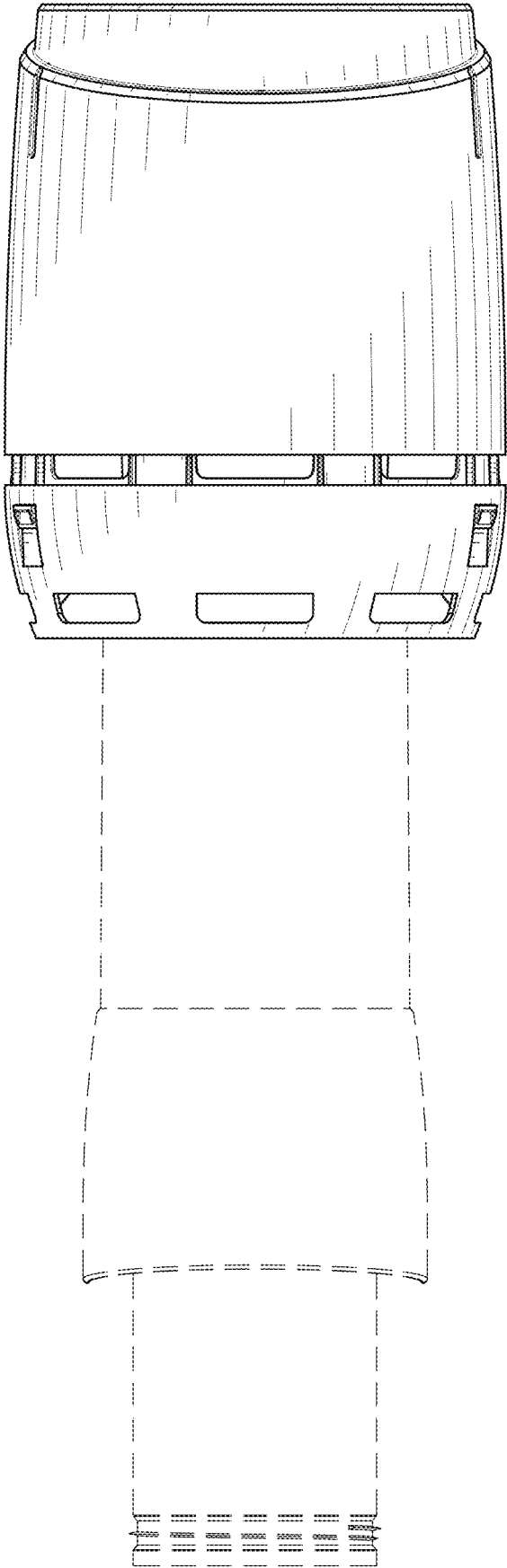


FIG. 1.3

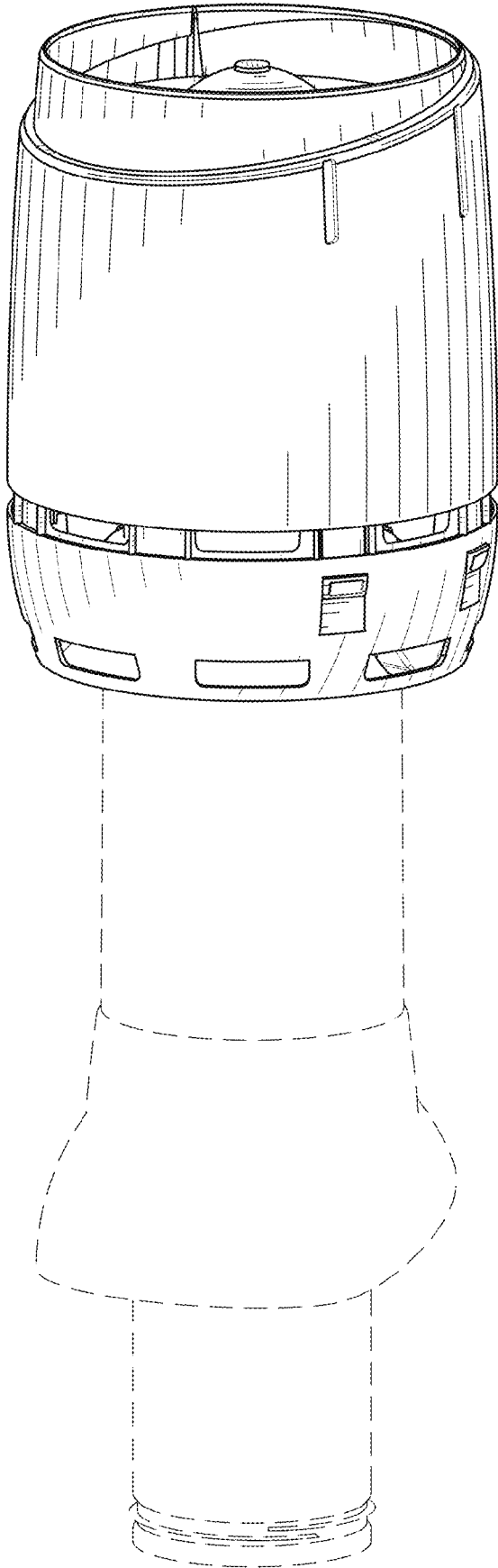


FIG. 1.4

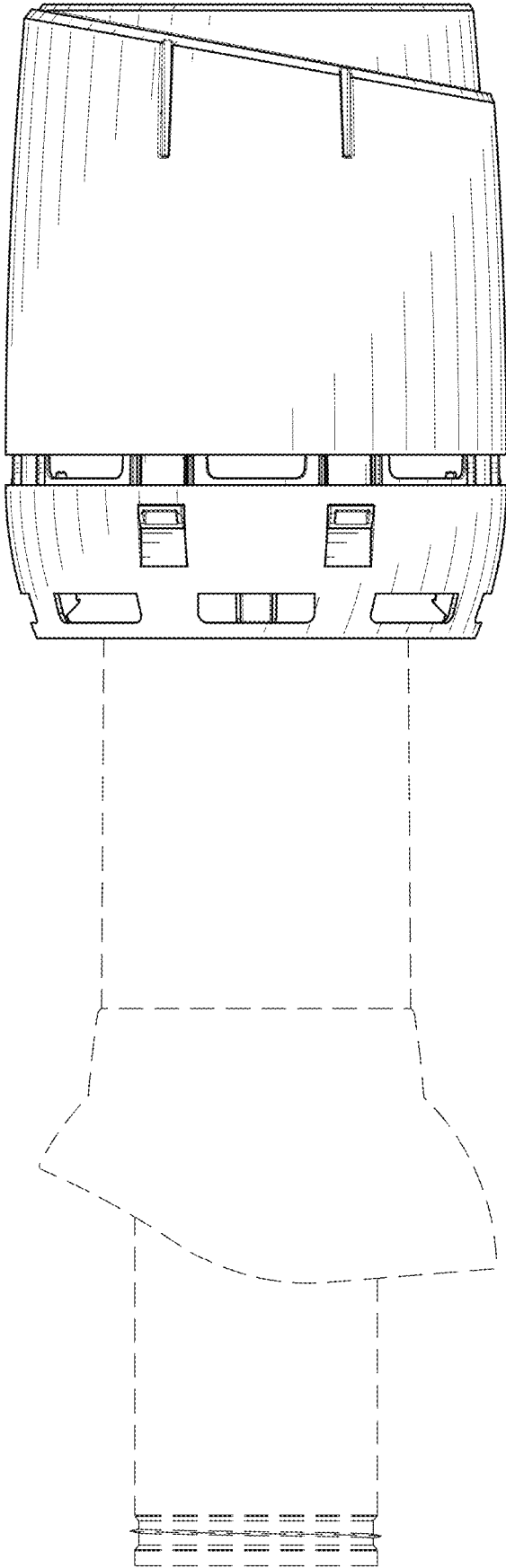


FIG. 1.5

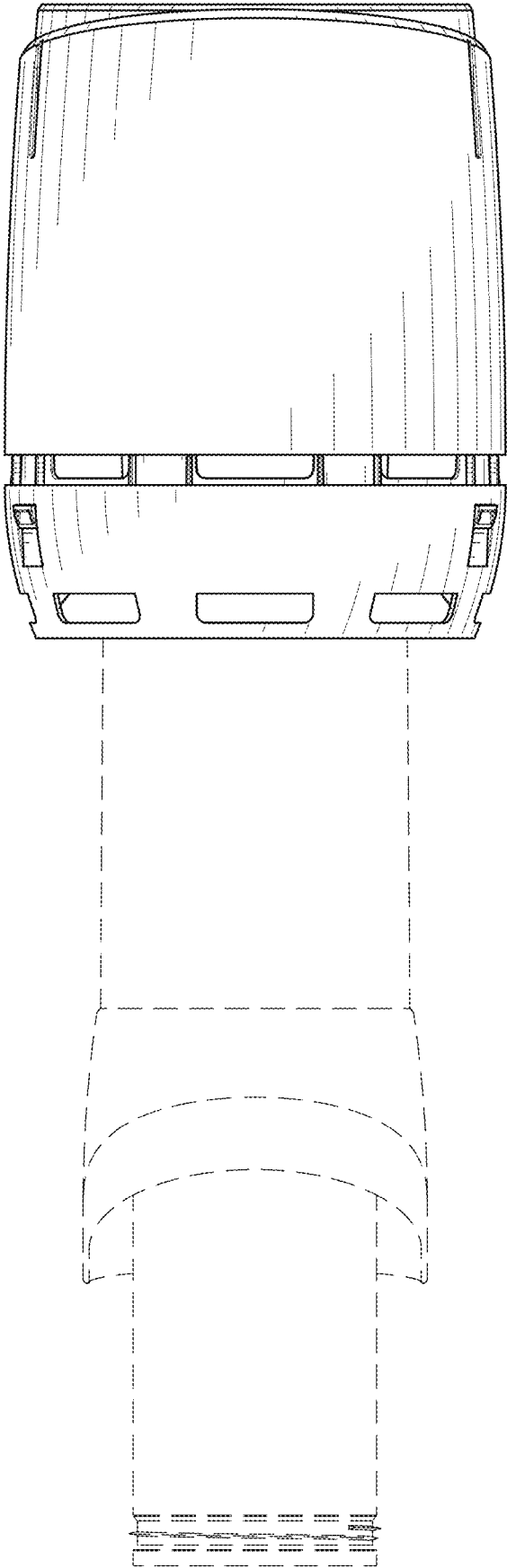


FIG. 1.6



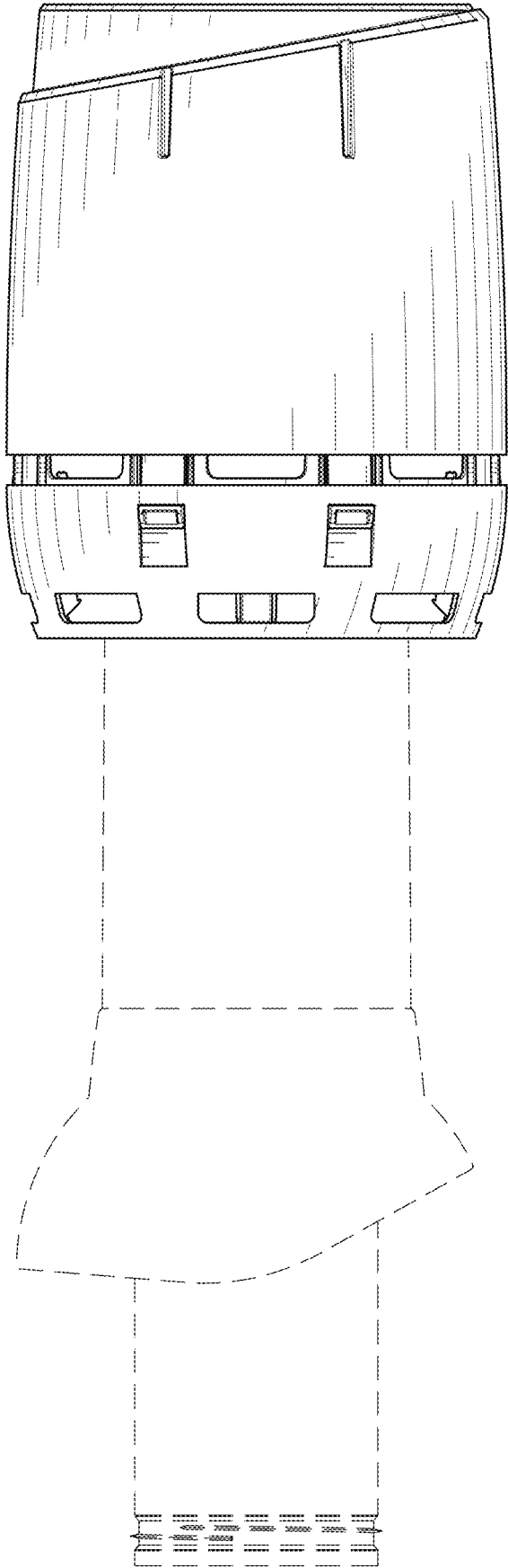


FIG. 1.7