



US00D840542S

(12) **United States Design Patent**  
**Lapaev**

(10) **Patent No.:** **US D840,542 S**

(45) **Date of Patent:** **\*\* Feb. 12, 2019**

- (54) **SURGICAL SYSTEM BASE**
- (71) Applicant: **Intuitive Surgical Operations, Inc.**,  
Sunnyvale, CA (US)
- (72) Inventor: **Roman Lapaev**, San Francisco, CA  
(US)
- (73) Assignee: **Intuitive Surgical Operations, Inc.**,  
Sunnyvale, CA (US)
- (\*\*) Term: **15 Years**

- 2009/0192524 A1\* 7/2009 Itkowitz ..... B25J 9/1666  
606/130
- 2011/0071541 A1\* 3/2011 Prisco ..... A61B 17/3421  
606/130
- 2012/0078245 A1\* 3/2012 Morrissette ..... A61B 18/14  
606/34
- 2013/0107207 A1\* 5/2013 Zhao ..... A61B 3/0058  
351/206
- 2013/0325032 A1\* 12/2013 Schena ..... A61B 34/30  
606/130
- 2014/0276951 A1\* 9/2014 Hourtash ..... A61B 19/2203  
606/130
- 2014/0282196 A1\* 9/2014 Zhao ..... G06F 3/013  
715/771

(Continued)

(21) Appl. No.: **29/609,316**

(22) Filed: **Jun. 29, 2017**

(51) **LOC (11) Cl.** ..... **24-01**

(52) **U.S. Cl.**  
USPC ..... **D24/170**

(58) **Field of Classification Search**  
USPC ..... D24/185, 158, 184, 186, 175, 232;  
D14/452; D15/199

CPC ..... A61B 34/30; A61B 34/32; A61B 34/35;  
A61B 2034/301; A61B 2034/302; A61B  
2034/303; A61B 2034/304; A61B  
2034/305; A61B 2034/306

See application file for complete search history.

(56) **References Cited**

**U.S. PATENT DOCUMENTS**

- D572,739 S \* 7/2008 Jennings ..... D15/199
- D655,324 S \* 3/2012 Wong ..... D15/199
- D749,223 S \* 2/2016 Vargas ..... D24/185
- D768,219 S \* 10/2016 Kraus ..... D15/199
- 2007/0119274 A1\* 5/2007 Devengenzo ..... B25J 15/04  
74/490.01
- 2007/0142971 A1\* 6/2007 Schena ..... B25J 19/0029  
700/251
- 2009/0171374 A1\* 7/2009 Omori ..... A61B 34/71  
606/130

**OTHER PUBLICATIONS**

Da Vinci Xi introduction/Engadget, posted at youtube, posted on  
Apr. 3, 2014, online, URL [https://www.youtube.com/watch?v=\\_q-YQwFjIj0](https://www.youtube.com/watch?v=_q-YQwFjIj0) (Year: 2014).\*

(Continued)

*Primary Examiner* — Anhdao Doan  
*Assistant Examiner* — Mary Shannon Malley  
(74) *Attorney, Agent, or Firm* — Fish & Richardson P.C.

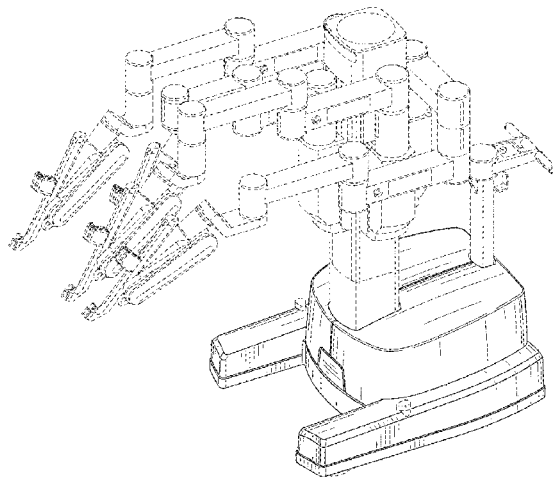
(57) **CLAIM**

The ornamental design for a surgical system base, as shown  
and described.

**DESCRIPTION**

FIG. 1 is a perspective view of my surgical system base.  
FIG. 2 is a front view of my surgical system base.  
FIG. 3 is a back view of my surgical system base.  
FIG. 4 is a left side view of my surgical system base.  
FIG. 5 is a right side view of my surgical system base; and,  
FIG. 6 is a top view of my surgical system base.  
The broken lines in each figure illustrate environmental  
features that form no part of the claimed design.

**1 Claim, 5 Drawing Sheets**



(56)

**References Cited**

U.S. PATENT DOCUMENTS

2017/0000575 A1\* 1/2017 Griffiths ..... A61B 34/25  
2017/0179857 A1\* 6/2017 Liao ..... H02P 6/10

OTHER PUBLICATIONS

Intuitive Surgical, Inc., da Vinci® Si HD™ Surgical System (2014)(marketing brochure), 8 pages.

Intuitive Surgical, Inc., da Vinci® Xi™ Surgical System (2014)(marketing brochure), 6 pages.

\* cited by examiner

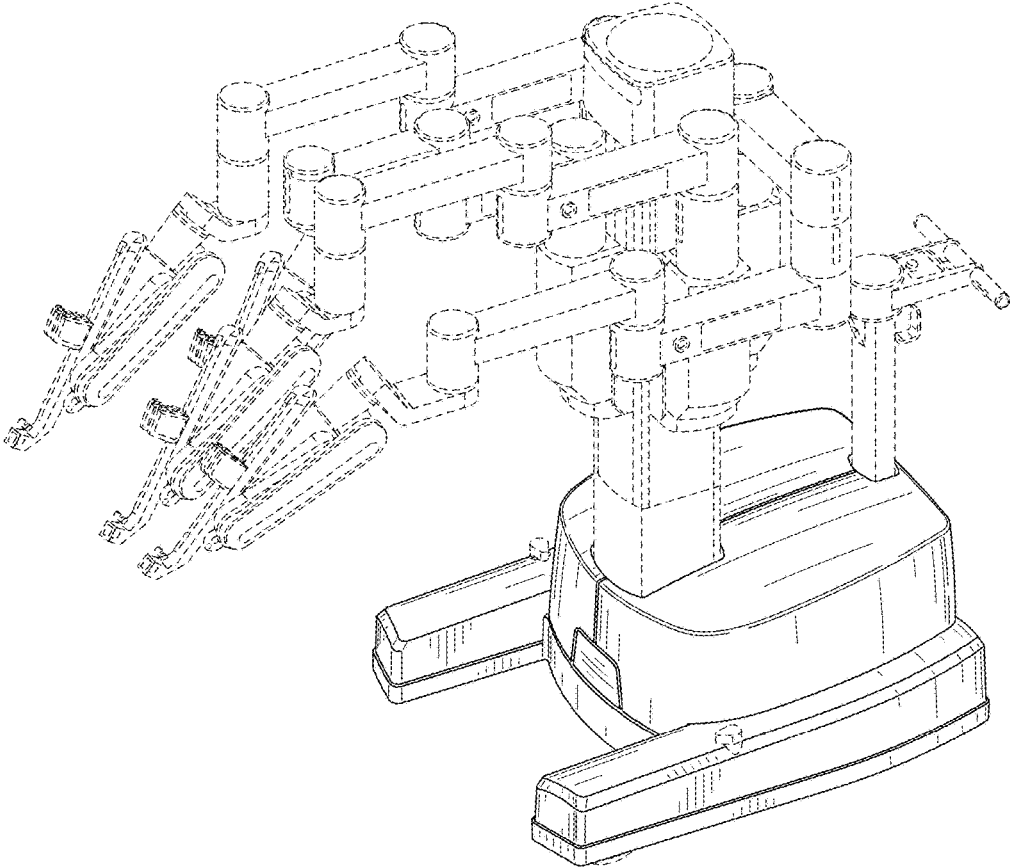


FIG. 1

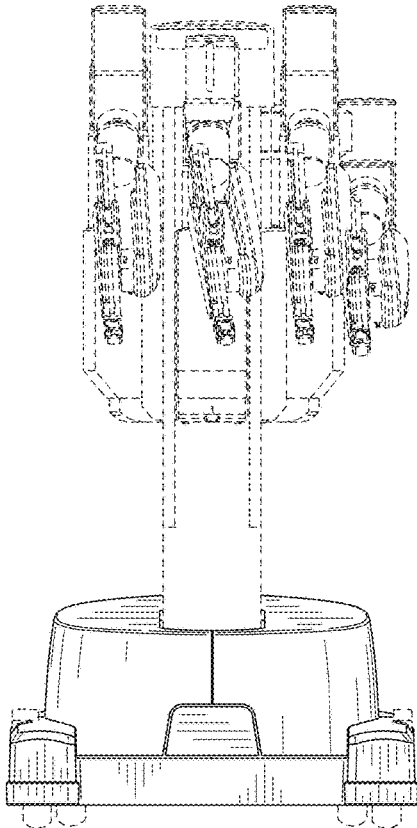


FIG. 2

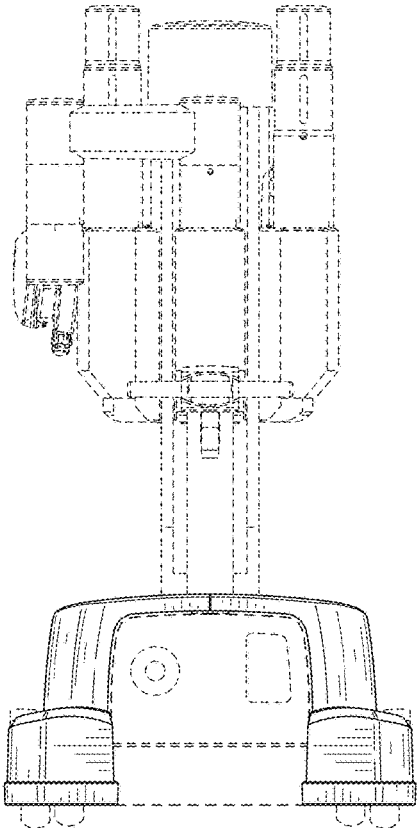


FIG. 3

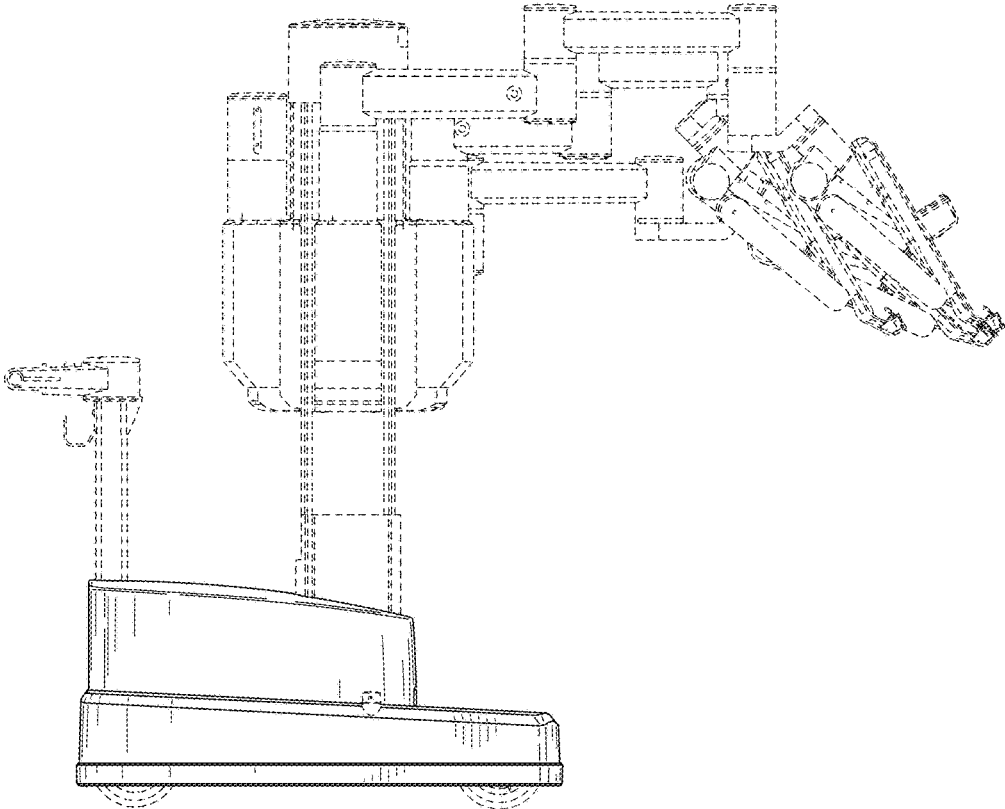


FIG. 4

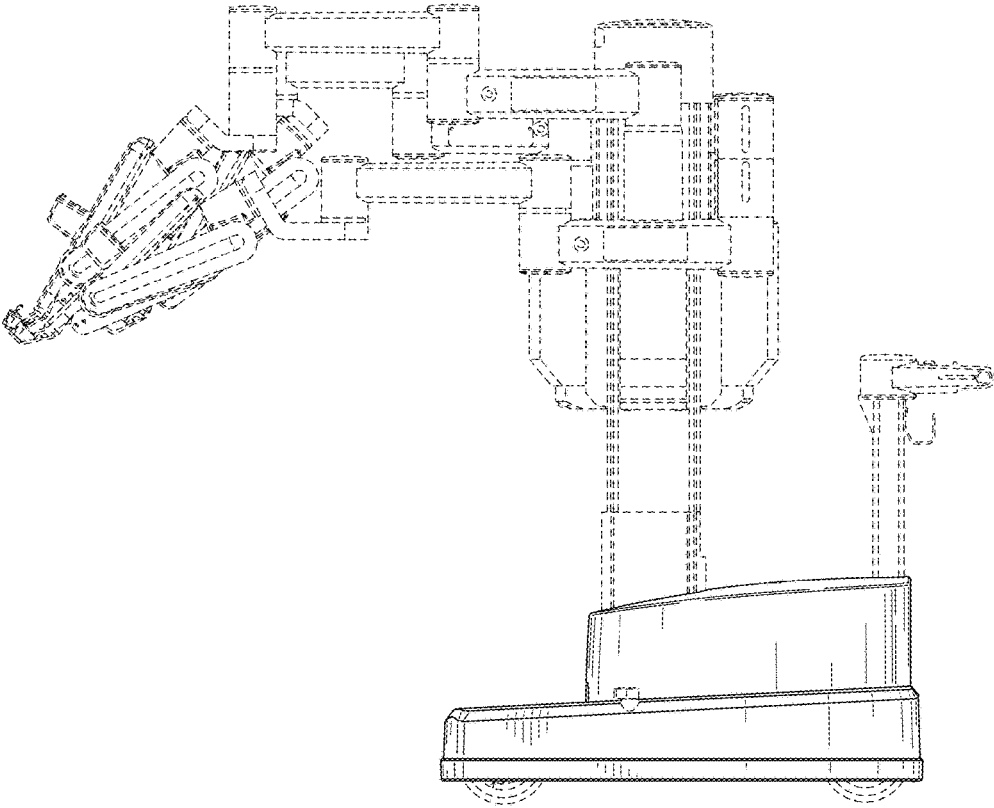


FIG. 5

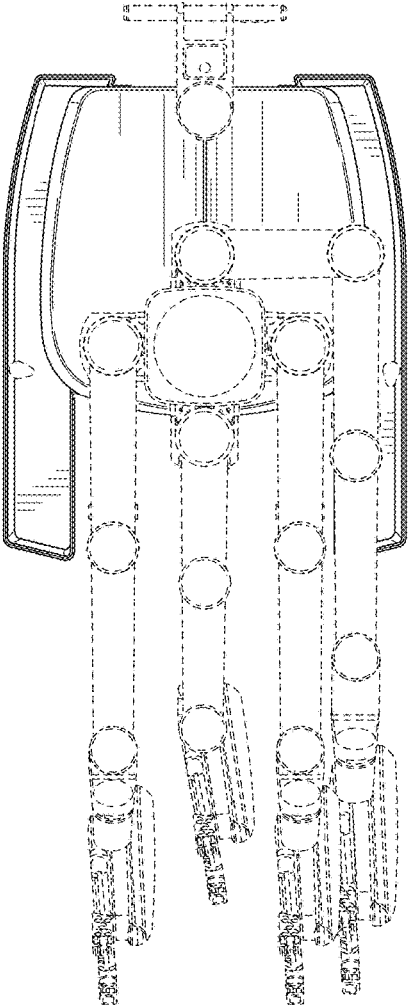


FIG. 6