

(19) World Intellectual Property Organization
International Bureau



(43) International Publication Date
28 September 2000 (28.09.2000)

PCT

(10) International Publication Number
WO 00/57252 A3

(51) International Patent Classification⁷: G05B 13/02

(21) International Application Number: PCT/IB00/00511

(22) International Filing Date: 17 March 2000 (17.03.2000)

(25) Filing Language: English

(26) Publication Language: English

(30) Priority Data:
09/272,795 19 March 1999 (19.03.1999) US

(71) Applicant: AC PROPERTIES B.V. [NL/NL]; Parkstraat 83, NL-2514 JG 's Gravenhage (NL).

(72) Inventors: MCCARTHY, Joseph, Francis; 1805 Josilyn Court, Libertyville, IL 60048 (US). ANAGNOST, Theodore, Dean; 7945 D Knottingham, Darien, IL 60561 (US).

(74) Agent: BROWNE, Robin; Urquhart-Dykes & Lord, Tower House, Merrion Way, Leeds LS2 8PA (GB).

(81) Designated States (*national*): AE, AG, AL, AM, AT, AU, AZ, BA, BB, BG, BR, BY, CA, CH, CN, CR, CU, CZ, DE, DK, DM, DZ, EE, ES, FI, GB, GD, GE, GH, GM, HR, HU, ID, IL, IN, IS, JP, KE, KG, KP, KR, KZ, LC, LK, LR, LS, LT, LU, LV, MA, MD, MG, MK, MN, MW, MX, NO, NZ, PL, PT, RO, RU, SD, SE, SG, SI, SK, SL, TJ, TM, TR, TT, TZ, UA, UG, UZ, VN, YU, ZA, ZW.

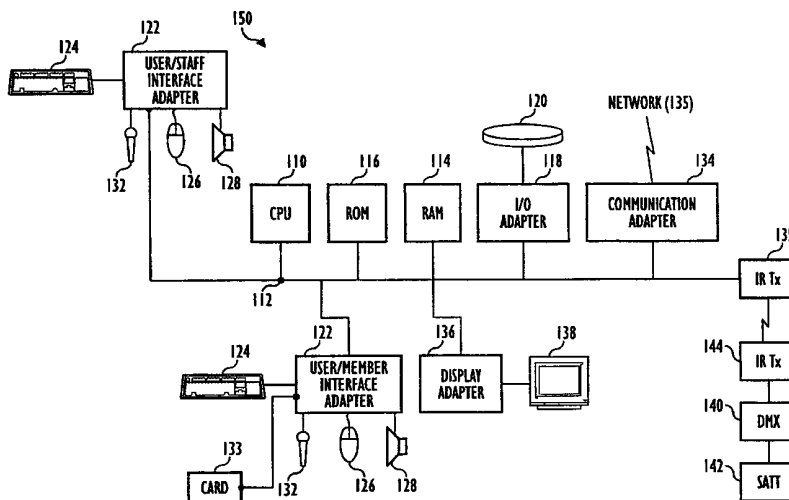
(84) Designated States (*regional*): ARIPO patent (GH, GM, KE, LS, MW, SD, SL, SZ, TZ, UG, ZW), Eurasian patent (AM, AZ, BY, KG, KZ, MD, RU, TJ, TM), European patent (AT, BE, CH, CY, DE, DK, ES, FI, FR, GB, GR, IE, IT, LU, MC, NL, PT, SE), OAPI patent (BF, BJ, CF, CG, CI, CM, GA, GN, GW, ML, MR, NE, SN, TD, TG).

Published:
— With international search report.

(88) Date of publication of the international search report:
28 December 2000

For two-letter codes and other abbreviations, refer to the "Guidance Notes on Codes and Abbreviations" appearing at the beginning of each regular issue of the PCT Gazette.

(54) Title: A SYSTEM, METHOD AND ARTICLE OF MANUFACTURE FOR A USER CENTRIC WORKOUT EXPERIENCE



(57) Abstract: A system is disclosed that enables intelligent environments comprised of physical spaces that sense and respond to the people and events taking place in them to dynamically influence environmental factors that affect them, such as the lighting, temperature, décor or background music. An intelligent environment in accordance with one embodiment of the present invention controls the selection of music played in a fitness center. Two different algorithms are utilized to arbitrate preferences in a shared environment: one seeks to maximize the average satisfaction of the inhabitants, the other seeks to maximize the equitable distribution of satisfaction among the inhabitants. The resultant system is an approach that affords effective environmental control.



WO 00/57252 A3

INTERNATIONAL SEARCH REPORT

International Application No

PCT/IB 00/00511

A. CLASSIFICATION OF SUBJECT MATTER
IPC 7 G05B13/02

According to International Patent Classification (IPC) or to both national classification and IPC

B. FIELDS SEARCHED

Minimum documentation searched (classification system followed by classification symbols)
IPC 7 G05B

Documentation searched other than minimum documentation to the extent that such documents are included in the fields searched

Electronic data base consulted during the international search (name of data base and, where practical, search terms used)

EPO-Internal

C. DOCUMENTS CONSIDERED TO BE RELEVANT

Category °	Citation of document, with indication, where appropriate, of the relevant passages	Relevant to claim No.
X	US 5 682 196 A (FREEMAN MICHAEL J) 28 October 1997 (1997-10-28) column 13, line 30 -column 15, line 21	1,9-11
A	---	17
X	US 4 591 248 A (FREEMAN MICHAEL J) 27 May 1986 (1986-05-27) figure 11	1,9-11
X	US 5 835 715 A (DAHL ANDREW A) 10 November 1998 (1998-11-10) column 2, line 51 -column 4, line 67	1,9-11
X	US 4 896 209 A (MATSUZAKI ATSUSHI ET AL) 23 January 1990 (1990-01-23) claim 6	1,9-11
	--- -/--	

Further documents are listed in the continuation of box C.

Patent family members are listed in annex.

° Special categories of cited documents :

- "A" document defining the general state of the art which is not considered to be of particular relevance
- "E" earlier document but published on or after the international filing date
- "L" document which may throw doubts on priority claim(s) or which is cited to establish the publication date of another citation or other special reason (as specified)
- "O" document referring to an oral disclosure, use, exhibition or other means
- "P" document published prior to the international filing date but later than the priority date claimed

- "T" later document published after the international filing date or priority date and not in conflict with the application but cited to understand the principle or theory underlying the invention
- "X" document of particular relevance; the claimed invention cannot be considered novel or cannot be considered to involve an inventive step when the document is taken alone
- "Y" document of particular relevance; the claimed invention cannot be considered to involve an inventive step when the document is combined with one or more other such documents, such combination being obvious to a person skilled in the art.
- "&" document member of the same patent family

Date of the actual completion of the international search

20 September 2000

Date of mailing of the international search report

26/09/2000

Name and mailing address of the ISA

European Patent Office, P.B. 5818 Patentlaan 2
NL - 2280 HV Rijswijk
Tel. (+31-70) 340-2040, Tx. 31 651 epo nl,
Fax: (+31-70) 340-3016

Authorized officer

Kelperis, K

INTERNATIONAL SEARCH REPORT

International Application No

PCT/IB 00/00511

C.(Continuation) DOCUMENTS CONSIDERED TO BE RELEVANT

Category °	Citation of document, with indication, where appropriate, of the relevant passages	Relevant to claim No.
A	US 5 156 203 A (FUNAKOSHI SUNAO ET AL) 20 October 1992 (1992-10-20) figure 10 -----	1,4,9,12
A	EP 0 658 997 A (XEROX CORP) 21 June 1995 (1995-06-21) -----	
A	R.WANT ET AL: "AN OVERVIEW OF THE PARCTAB UBIQUITOUS COMPUTING EXPERIMENT" IEEE PERSONAL COMMUNICATIONS, vol. 2, no. 6, December 1995 (1995-12), pages 28-43, XP000938148 USA cited in the application page 28, left-hand column, line 1 -page 34, right-hand column, line 9 -----	

INTERNATIONAL SEARCH REPORT

Information on patent family members

International Application No

PCT/IB 00/00511

Patent document cited in search report	Publication date	Patent family member(s)	Publication date
US 5682196 A	28-10-1997	AU 6338296 A WO 9701245 A	22-01-1997 09-01-1997
US 4591248 A	27-05-1986	NONE	
US 5835715 A	10-11-1998	WO 9713207 A	10-04-1997
US 4896209 A	23-01-1990	JP 2576485 B JP 63197189 A JP 63215287 A AT 98587 T AU 602054 B AU 1115288 A BR 8800524 A CA 1331805 A DE 3886230 D DE 3886230 T EP 0278717 A ES 2047026 T KR 9602445 B	29-01-1997 16-08-1988 07-09-1988 15-01-1994 27-09-1990 11-08-1988 27-09-1988 30-08-1994 27-01-1994 31-03-1994 17-08-1988 16-02-1994 17-02-1996
US 5156203 A	20-10-1992	JP 4000141 A	06-01-1992
EP 0658997 A	21-06-1995	US 5485634 A JP 7200482 A	16-01-1996 04-08-1995