

(19) World Intellectual Property Organization  
International Bureau



(43) International Publication Date  
13 July 2006 (13.07.2006)

PCT

(10) International Publication Number  
**WO 2006/074298 A3**

(51) International Patent Classification:

G01C 21/14 (2006.01) G01C 21/36 (2006.01)  
G01C 21/30 (2006.01) G06F 17/00 (2006.01)

KG, KM, KN, KP, KR, KZ, LC, LK, LR, LS, LT, LU, LV, LY, MA, MD, MG, MK, MN, MW, MX, MZ, NA, NG, NI, NO, NZ, OM, PG, PH, PL, PT, RO, RU, SC, SD, SE, SG, SK, SL, SM, SY, TJ, TM, TN, TR, TT, TZ, UA, UG, US, UZ, VC, VN, YU, ZA, ZM, ZW.

(21) International Application Number:

PCT/US2006/000313

(22) International Filing Date: 6 January 2006 (06.01.2006)

(25) Filing Language: English

(26) Publication Language: English

(30) Priority Data:

60/641,906 6 January 2005 (06.01.2005) US

(84) Designated States (unless otherwise indicated, for every kind of regional protection available): ARIPO (BW, GH, GM, KE, LS, MW, MZ, NA, SD, SL, SZ, TZ, UG, ZM, ZW), Eurasian (AM, AZ, BY, KG, KZ, MD, RU, TJ, TM), European (AT, BE, BG, CH, CY, CZ, DE, DK, EE, ES, FI, FR, GB, GR, HU, IE, IS, IT, LT, LU, LV, MC, NL, PL, PT, RO, SE, SI, SK, TR), OAPI (BF, BJ, CF, CG, CI, CM, GA, GN, GQ, GW, ML, MR, NE, SN, TD, TG).

Declaration under Rule 4.17:

— as to the identity of the inventor (Rule 4.17(i))

Published:

— with international search report  
— before the expiration of the time limit for amending the claims and to be republished in the event of receipt of amendments

(88) Date of publication of the international search report:

9 August 2007

For two-letter codes and other abbreviations, refer to the "Guidance Notes on Codes and Abbreviations" appearing at the beginning of each regular issue of the PCT Gazette.

(71) Applicant and

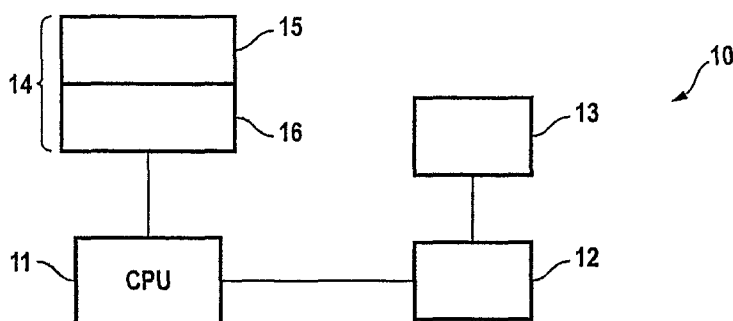
(72) Inventor: SHULMAN, Alan [US/US]; 4614 Morris Court, Santa Rosa, California 95405 (US).

(74) Agent: DERGOSITS, Michael; DERGOSITS & NOAH LLP, Four Embarcadero Center, Suite 1450, San Francisco, California 94111 (US).

(81) Designated States (unless otherwise indicated, for every kind of national protection available):

AE, AG, AL, AM, AT, AU, AZ, BA, BB, BG, BR, BW, BY, BZ, CA, CH, CN, CO, CR, CU, CZ, DE, DK, DM, DZ, EC, EE, EG, ES, FI, GB, GD, GE, GH, GM, HR, HU, ID, IL, IN, IS, JP, KE,

(54) Title: NAVIGATION AND INSPECTION SYSTEM



(57) Abstract: A method of detecting a changed condition within a geographical space from a moving vehicle (10). Images of that geographical space are memorized (16) in conjunction with GPS coordinates (13) together with its GPS coordinates (13). The same geographical space (15) is traversed from the moving vehicle (10) while accessing the route's GPS coordinates (13). The memorized images (16) are played back by coordinating the GPS data on a memorized images (16) with that of the traversed geographical space (15) such that the memorized

images (16) are viewed simultaneously with the geographic space traversed (15). An observer traveling within the moving vehicle (10) can compare the memorized images (16) with those being traversed in order to identify changed conditions.

WO 2006/074298 A3

# INTERNATIONAL SEARCH REPORT

International application No.

PCT/US06/00313

**A. CLASSIFICATION OF SUBJECT MATTER**  
 IPC: G01C 21/14( 2006.01),21/30( 2006.01),21/36( 2006.01)  
 G06F 17/00( 2006.01)  
 USPC: Please See Continuation Sheet  
 According to International Patent Classification (IPC) or to both national classification and IPC

**B. FIELDS SEARCHED**  
 Minimum documentation searched (classification system followed by classification symbols)  
 U.S. : Please See Continuation Sheet

Documentation searched other than minimum documentation to the extent that such documents are included in the fields searched  
 NONE

Electronic data base consulted during the international search (name of data base and, where practicable, search terms used)  
 Please See Continuation Sheet

**C. DOCUMENTS CONSIDERED TO BE RELEVANT**

Category *	Citation of document, with indication, where appropriate, of the relevant passages	Relevant to claim No.
X	US 5,517,419 A (LANCKTON et al) 14 May 1996 914.05.1996), see the abstract, figures 1, 4 and the related text.	19 and 20
Y	US 6.163.755 A (PEER et al) 19 December 2000 (19.12.2000), see entired patent.	1-16 and 21-24
Y	US 2004/0225425 A1 (KINDO et al) 11 November 2004 (11.11.2004), see figure 11 and paragraphs 0095 and 0098.	1-16 and 21-24
Y	US 2004/0257440 A1 (KONDO et al) 23 December 2004 (23.12.2004), see figures 1, 3 and the related text.	1-16 and 21-24

Further documents are listed in the continuation of Box C.  See patent family annex.

* Special categories of cited documents:			
"A"	document defining the general state of the art which is not considered to be of particular relevance	"T"	later document published after the international filing date or priority date and not in conflict with the application but cited to understand the principle or theory underlying the invention
"E"	earlier application or patent published on or after the international filing date	"X"	document of particular relevance; the claimed invention cannot be considered novel or cannot be considered to involve an inventive step when the document is taken alone
"L"	document which may throw doubts on priority claim(s) or which is cited to establish the publication date of another citation or other special reason (as specified)	"Y"	document of particular relevance; the claimed invention cannot be considered to involve an inventive step when the document is combined with one or more other such documents, such combination being obvious to a person skilled in the art
"O"	document referring to an oral disclosure, use, exhibition or other means	"&"	document member of the same patent family
"P"	document published prior to the international filing date but later than the priority date claimed		

Date of the actual completion of the international search: 14 May 2007 (14.05.2007)  
 Date of mailing of the international search report: 14 JUN 2007

Name and mailing address of the ISA/US  
 Mail Stop PCT, Attn: ISA/US  
 Commissioner for Patents  
 P.O. Box 1450  
 Alexandria, Virginia 22313-1450  
 Facsimile No. (571) 273-3201

Authorized officer  
 TAN Q. NGUYEN  
 Telephone No. (571) 272-5150

# INTERNATIONAL SEARCH REPORT

International application No.  
PCT/US06/00313

Continuation of B. FIELDS SEARCHED Item 1:

701/200,201,205,208,210,211,300; 382/104,106,108; 348/118,119,129,130,135,143; 340/995.17,995.22; 455/414.2,456.1,456.2,456.3

Continuation of B. FIELDS SEARCHED Item 3:

EAST SEARCH

search terms: touch screen, split screen, audio, audible, tactile, vibration, feedback

Continuation of USPC:

701/200,201,205,208,210,211,300;382/104,106,108;348/118,119,129,130,135,143;340/995.17,995.22;455/414.2,456.1,456.2,456.3