



US00D758271S

(12) **United States Design Patent**  
**McMahan et al.**

(10) **Patent No.:** **US D758,271 S**

(45) **Date of Patent:** **\*\* \*Jun. 7, 2016**

- (54) **VEHICLE TAILGATE PANEL**
- (71) Applicant: **GM GLOBAL TECHNOLOGY OPERATIONS LLC**, Detroit, MI (US)
- (72) Inventors: **Robert B. McMahan**, Bloomfield Hills, MI (US); **Brendon C. Mackay**, Shelby Township, MI (US); **Tyler L. H. Moffett**, Detroit, MI (US)
- (73) Assignee: **GM Global Technology Operations LLC**, Detroit, MI (US)

5,263,252	A	*	11/1993	Bruggink	.....	29/897.32
D397,978	S	*	9/1998	Helgeson et al.	.....	D12/196
D399,468	S	*	10/1998	Lund et al.	.....	D12/196
D420,317	S	*	2/2000	Ney	.....	D12/196
D494,521	S	*	8/2004	Metros et al.	.....	D12/196
D494,910	S	*	8/2004	Metros et al.	.....	D12/196
D527,697	S	*	9/2006	Metros et al.	.....	D12/196
D529,290	S	*	10/2006	Schloss	.....	D3/318
D541,719	S	*	5/2007	McChesney et al.	.....	D12/196
D556,110	S	*	11/2007	Schiavone et al.	.....	D12/196
D613,225	S	*	4/2010	Wu	.....	D12/196
D614,556	S	*	4/2010	Wu	.....	D12/196
D616,475	S	*	5/2010	Slomp et al.	.....	D15/145
D682,759	S	*	5/2013	Oliver	.....	D12/196

(Continued)

(\* ) Notice: This patent is subject to a terminal disclaimer.

**OTHER PUBLICATIONS**

(\*\*) Term: **14 Years**

Design U.S. Appl. No. 29/491,286, filed May 20, 2014; First Named Inventor: Robert B. McMahan; Title: Vehicle Body Exterior; 7 pages.

(21) Appl. No.: **29/506,076**

(Continued)

(22) Filed: **Oct. 13, 2014**

(51) **LOC (10) Cl.** ..... **12-16**

(52) **U.S. Cl.**  
USPC ..... **D12/196**

(58) **Field of Classification Search**  
USPC ..... D12/196, 169, 163, 86, 90, 91, 92, 93, D12/98; D21/424, 433, 434; D25/48.4, D25/48.1, 48.5, 199; D6/663; 296/181.1, 296/181.5, 180.1, 180.2, 146.5, 100.01, 56, 296/57.1, 76, 106, 26.11, 203.04  
CPC .... B62D 25/08; B62D 33/0273; B62D 33/03; B62D 33/037; B62D 33/023; B62D 33/033; B62D 33/027; B62D 33/0276; B60P 1/26; E05Y 2900/548; E05Y 2900/546; B60R 9/06; B60R 9/04

See application file for complete search history.

*Primary Examiner* — Eric Goodman  
*Assistant Examiner* — Clese Moore, Jr.  
(74) *Attorney, Agent, or Firm* — Reising Ethington P.C.

(56) **References Cited**

**U.S. PATENT DOCUMENTS**

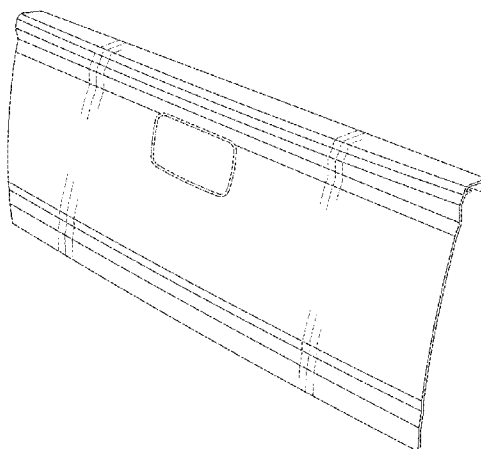
4,211,448	A	*	7/1980	Weston	.....	296/3
D333,083	S	*	2/1993	Stenger	.....	D8/346

(57) **CLAIM**  
The ornamental design for a vehicle tailgate panel, as shown and described.

**DESCRIPTION**

FIG. 1 is a front perspective view of the vehicle tailgate panel; FIG. 2 is a right side elevation view thereof; FIG. 3 is a top plan view thereof; and, FIG. 4 is a front view thereof.  
The left side elevation view of the vehicle tailgate panel is omitted because the left side elevation view is identical to the right side elevation view. And the broken lines shown in the drawings depict portions of the vehicle tailgate panel that form no part of the claimed design.

**1 Claim, 1 Drawing Sheet**



(56)

**References Cited**

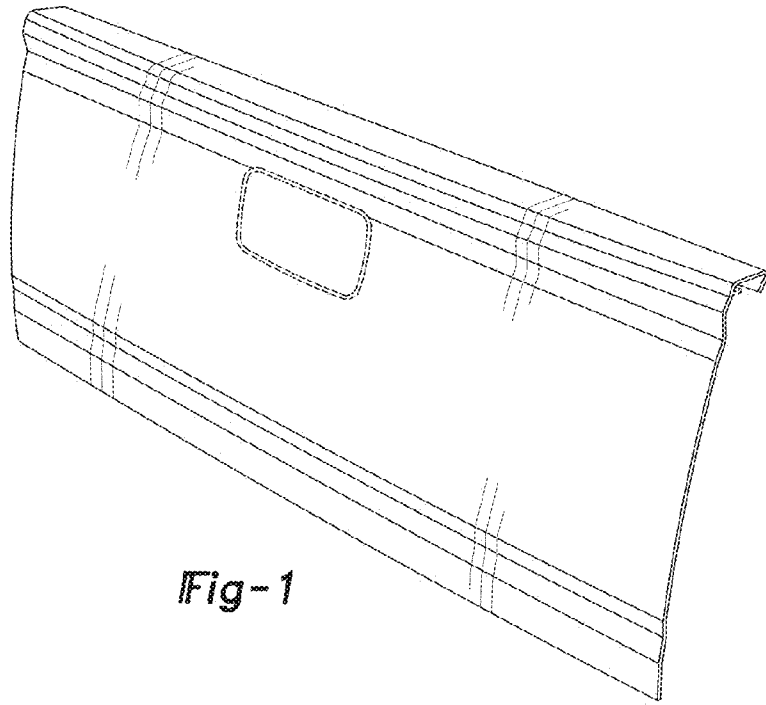
**OTHER PUBLICATIONS**

U.S. PATENT DOCUMENTS

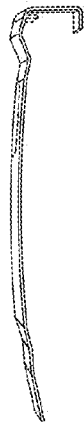
D684,515	S *	6/2013	Oliver	.....	D12/196
8,714,622	B2 *	5/2014	Spencer et al.	.....	296/100.18
8,764,094	B1 *	7/2014	Castillo	.....	296/100.08
D710,151	S *	8/2014	Busalt et al.	.....	D7/405
D710,283	S *	8/2014	O'Donnell et al.	.....	D12/196
D710,777	S *	8/2014	Platto et al.	.....	D12/196
2008/0224461	A1 *	9/2008	Allen	.....	280/830
2009/0236870	A1 *	9/2009	Duncan	.....	296/136.04

Design U.S. Appl. No. 29/498,216, filed Aug. 1, 2014; First Named Inventor: Brian J. Smith; Title: Vehicle Decklid; 3 pages.  
Design U.S. Appl. No. 29/500,891, filed Aug. 29, 2014; First Named Inventor: Louis D. Thole; Title: Vehicle Decklid; 2 pages.  
Design U.S. Appl. No. 29/501,193, filed Sep. 2, 2014; First Named Inventor: Robert E. Boniface; Title: Vehicle Decklid; 3 pages.

\* cited by examiner



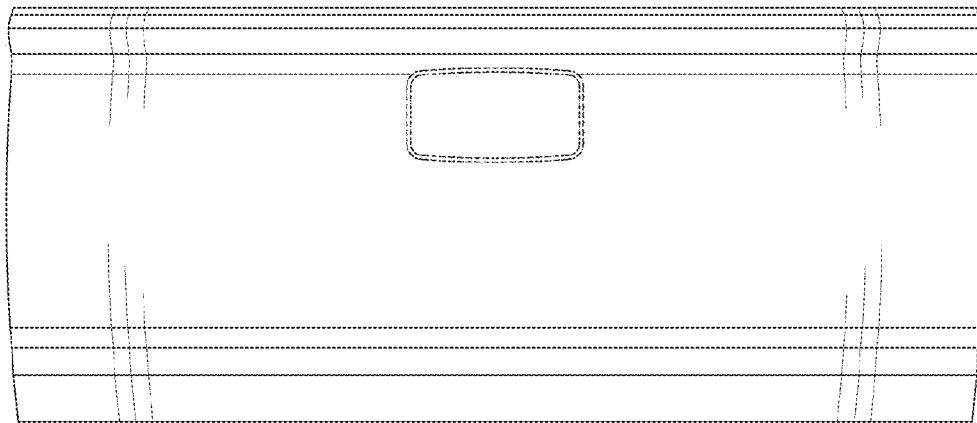
*Fig-1*



*Fig-2*



*Fig-3*



*Fig-4*