



US00D648352S

(12) **United States Design Patent**
Hsiao

(10) **Patent No.:** **US D648,352 S**

(45) **Date of Patent:** **** Nov. 8, 2011**

(54) **MOTOR SHIELD FOR THE DRAINAGE
DEVICE OF A COOLING OR
AIR-CONDITIONING SYSTEM**

<http://www.handymanhowto.com/2009/05/09/how-to-replace-a-broken-air-conditioner-condensate-pump/> (May 9, 2009).*

* cited by examiner

(75) Inventor: **Yu-Ming Hsiao**, Taichung (TW)

Primary Examiner — Brian N Vinson

(73) Assignee: **Holimay Corporation**, Taichung (TW)

(74) *Attorney, Agent, or Firm* — Muncy, Geissler, Olds & Lowe, PLLC

(**) Term: **14 Years**

(57) **CLAIM**

(21) Appl. No.: **29/379,113**

The ornamental design for a motor shield for the drainage device of a cooling or air-conditioning system, as shown and described.

(22) Filed: **Nov. 15, 2010**

DESCRIPTION

(51) **LOC (9) CL.** **15-01**

(52) **U.S. CL.** **D15/7**

(58) **Field of Classification Search** D23/354;
D15/7; 417/410.1, 359, 415, 416, 234, 321,
417/265, 405

See application file for complete search history.

FIG. 1 shows a perspective view of the present design. FIG. 2 shows a front elevational view of the present design. FIG. 3 shows a rear elevational view of the present design. FIG. 4 shows a left side elevational view of the present design. FIG. 5 shows a right side elevational view of the present design.

(56) **References Cited**

FIG. 6 shows a top plan view of the present design. FIG. 7 shows a bottom plan view of the present design; and, FIG. 8 is a perspective drawing showing the drainage device of a cooling or air-conditioning system of the present design is applied to a motor shield, wherein the broken lines are shown for illustrative purposes only and forms no part of the claimed design.

U.S. PATENT DOCUMENTS

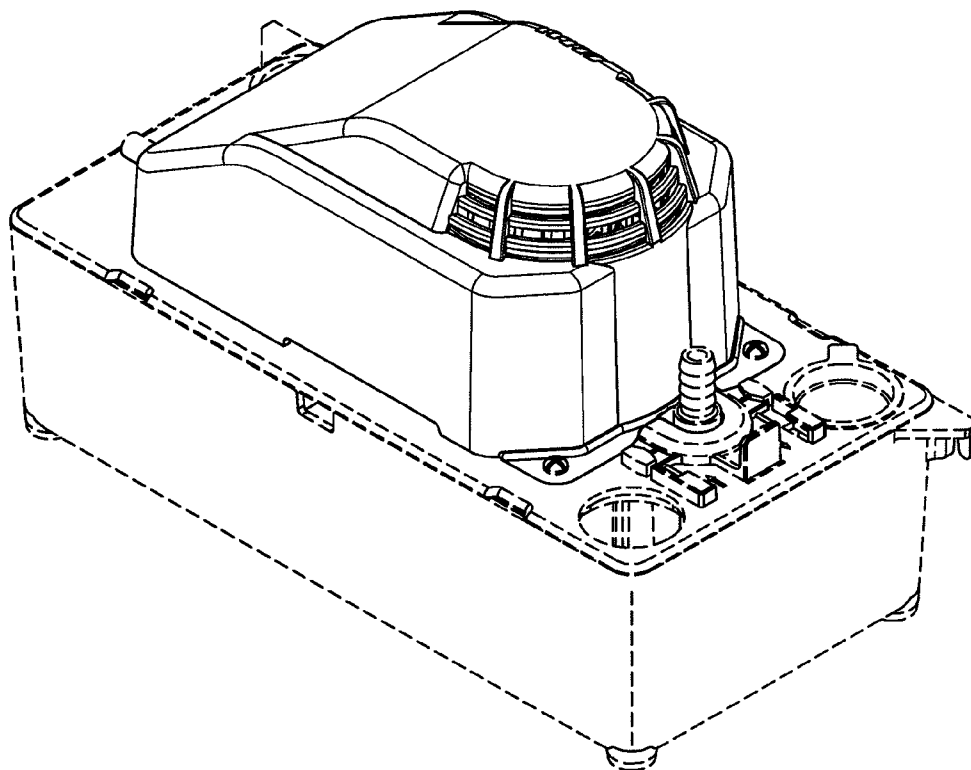
D512,440	S	*	12/2005	Wang	D15/7
D558,234	S	*	12/2007	Dickertmann	D15/7
D590,841	S	*	4/2009	Muhlenberend	D15/7
D606,099	S	*	12/2009	Lawyer et al.	D15/7

OTHER PUBLICATIONS

<http://www.inspectapedia.com/aircond/CondensatePumps.htm>
(copyright 2007).*

The broken lines used in FIG. 7 show environmental structure and are not part of the claimed subject matter.

1 Claim, 5 Drawing Sheets



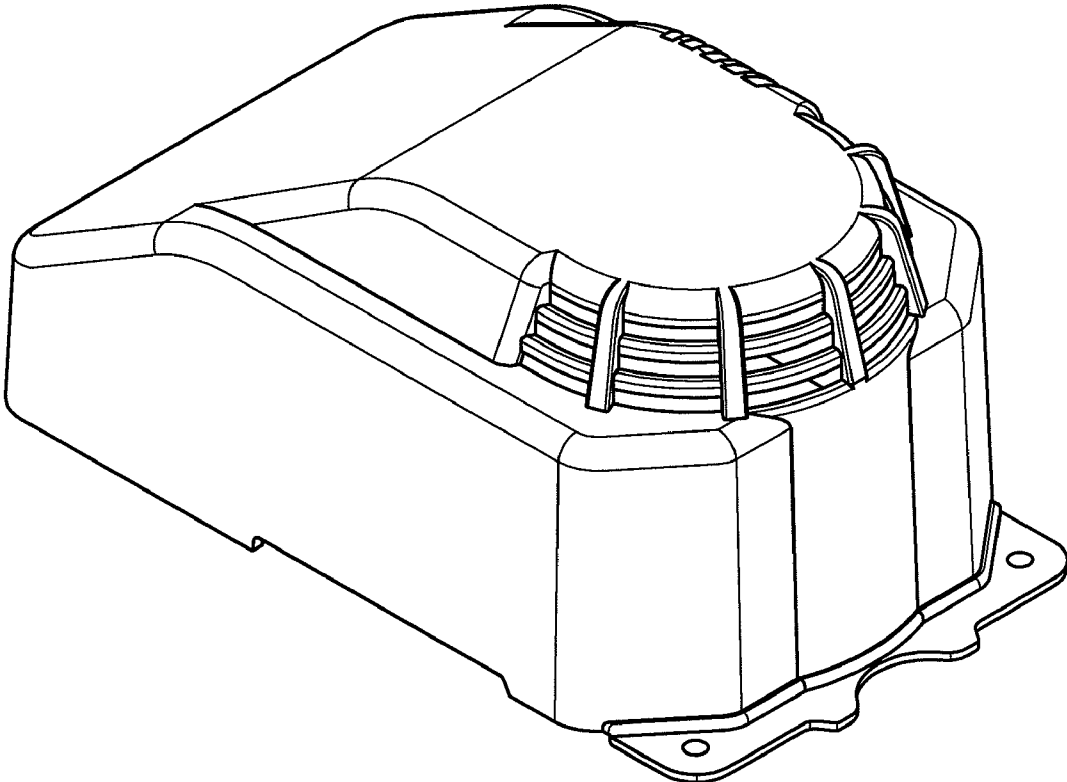


FIG. 1

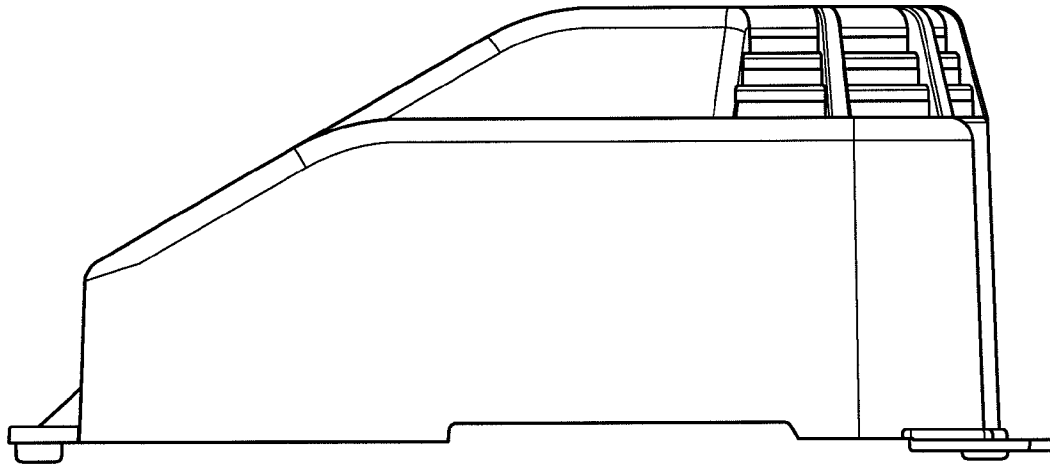


FIG. 2

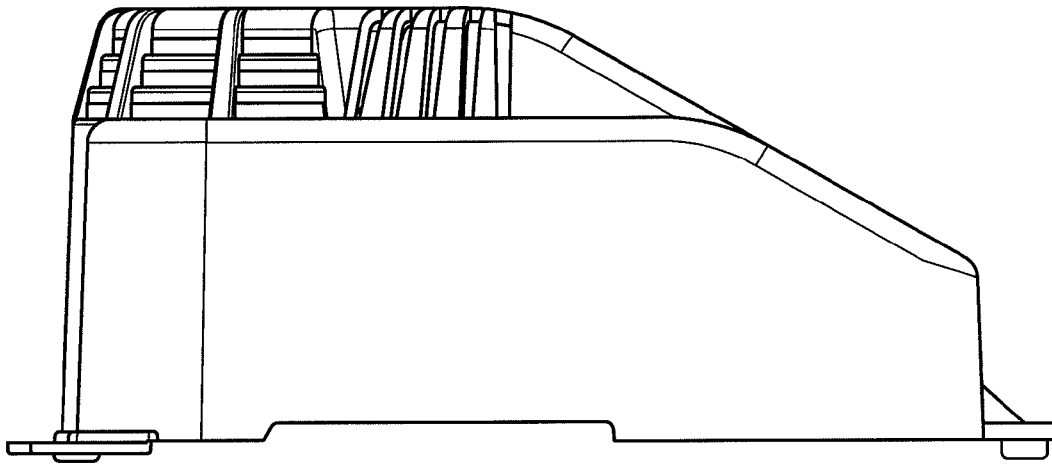


FIG. 3

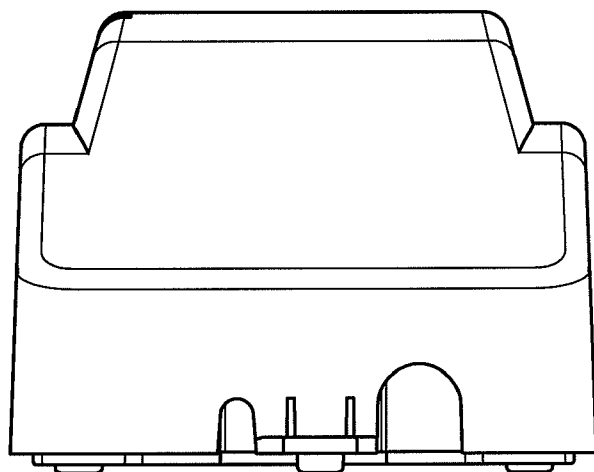


FIG. 4

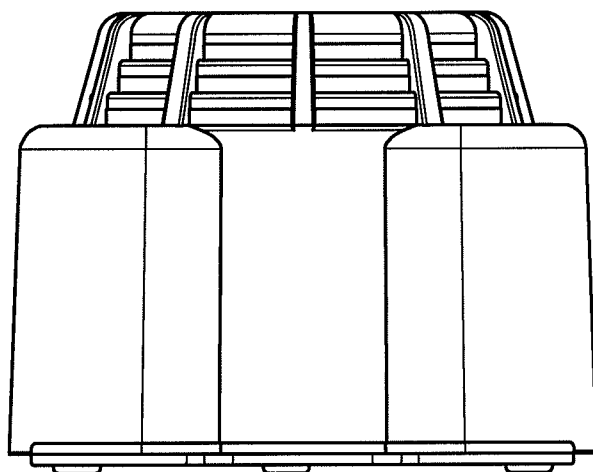


FIG. 5

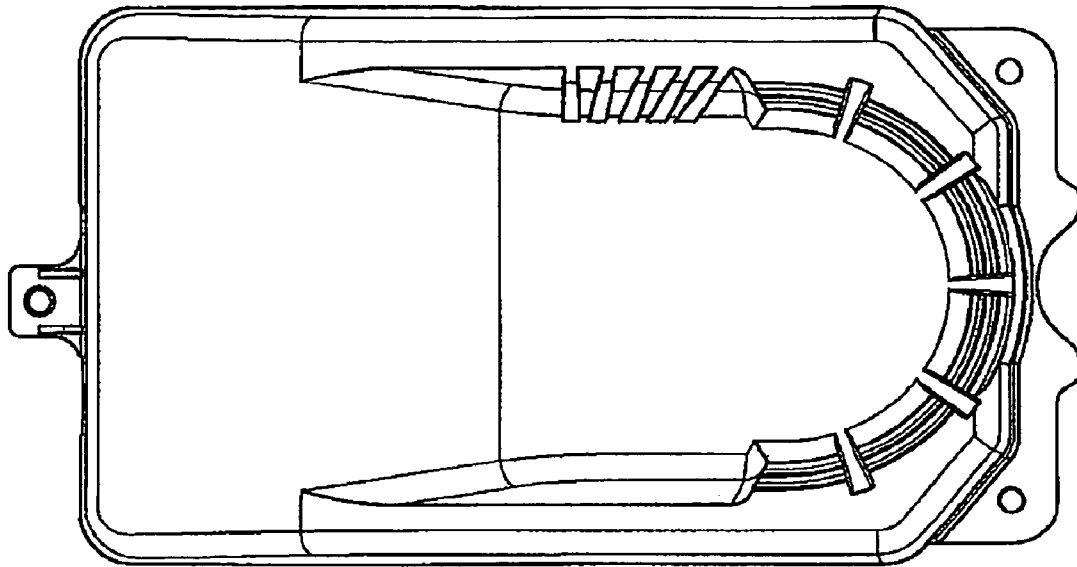


FIG. 6

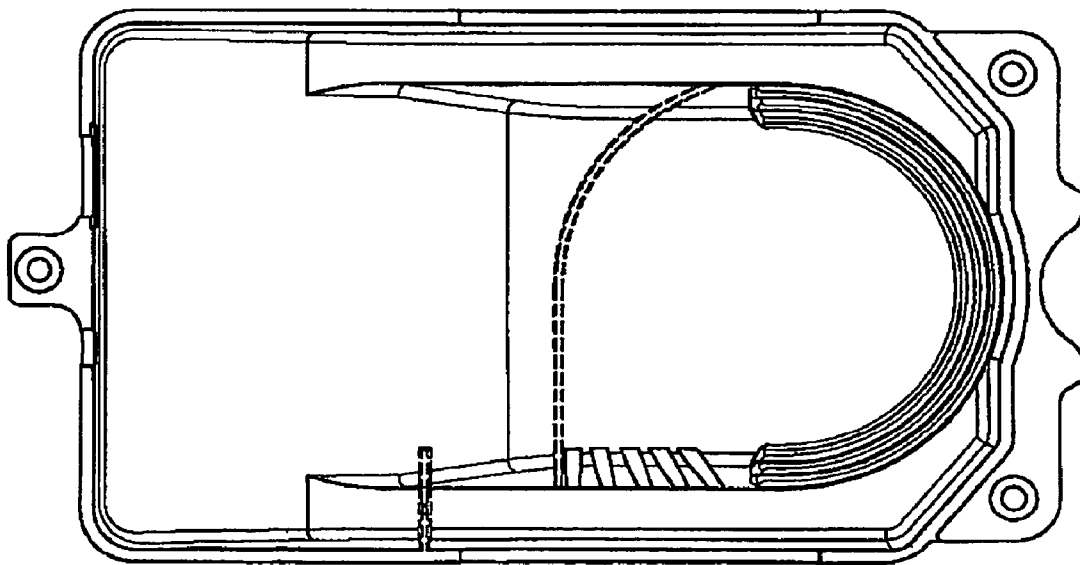


FIG. 7

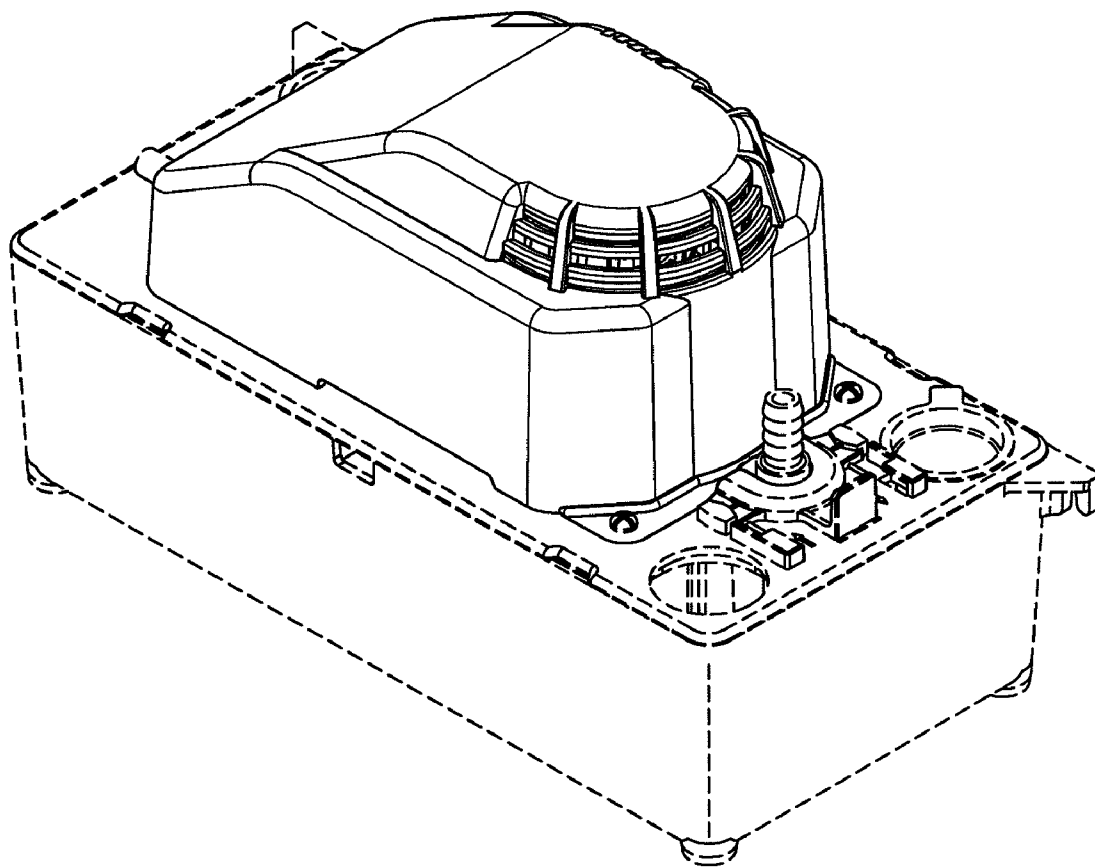


FIG. 8