

(19) World Intellectual Property Organization
International Bureau



(43) International Publication Date
16 November 2006 (16.11.2006)

PCT

(10) International Publication Number
WO 2006/121488 A3

(51) International Patent Classification:

H05K 7/20 (2006.01) *H05K 1/00* (2006.01)
H05K 7/00 (2006.01) *H01R 12/16* (2006.01)

(21) International Application Number:

PCT/US2006/007192

(22) International Filing Date:

28 February 2006 (28.02.2006)

(25) Filing Language:

English

(26) Publication Language:

English

(30) Priority Data:

11/123,721 6 May 2005 (06.05.2005) US
11/231,418 21 September 2005 (21.09.2005) US
11/255,061 19 October 2005 (19.10.2005) US

(71) Applicant (for all designated States except US): **STAK-TEK GROUP L.P.** [US/US]; Suite 125, 8900 Shoal Creek Blvd., Austin, TX 78757 (US).

(72) Inventors; and

(75) Inventors/Applicants (for US only): **WEHRLY, James,**

Douglas, Jr. [US/US]; 9112 Glenlake Dr., Austin, Texas 78730 (US). **WOLFE, Mark** [US/US]; 2720 Cedar Springs Place, Austin, Texas 78681 (US). **GOODWIN, Paul** [US/US]; 8 Glen Rock Dr., Austin, Texas 78738 (US).

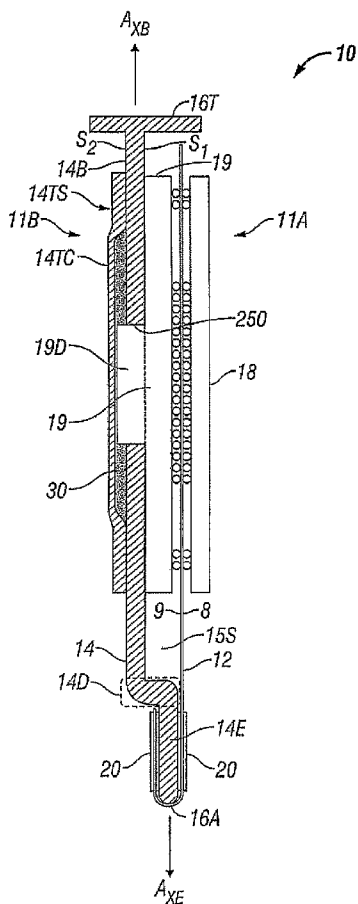
(74) Agent: **DENKO, J., Scott**; FISH & RICHARDSON P.C., P.O.Box 1022, Minneapolis, MN 55440-1022 (US).

(81) Designated States (unless otherwise indicated, for every kind of national protection available): AE, AG, AL, AM, AT, AU, AZ, BA, BB, BG, BR, BW, BY, BZ, CA, CH, CN, CO, CR, CU, CZ, DE, DK, DM, DZ, EC, EE, EG, ES, FI, GB, GD, GE, GH, GM, HR, HU, ID, IL, IN, IS, JP, KE, KG, KM, KN, KP, KR, KZ, LC, LK, LR, LS, LT, LU, LV, LY, MA, MD, MG, MK, MN, MW, MX, MZ, NA, NG, NI, NO, NZ, OM, PG, PH, PL, PT, RO, RU, SC, SD, SE, SG, SK, SL, SM, SY, TJ, TM, TN, TR, TT, TZ, UA, UG, US, UZ, VC, VN, YU, ZA, ZM, ZW.

(84) Designated States (unless otherwise indicated, for every kind of regional protection available): ARIPO (BW, GH, GM, KE, LS, MW, MZ, NA, SD, SL, SZ, TZ, UG, ZM,

[Continued on next page]

(54) Title: OPTIMIZED MOUNTING AREA CIRCUIT MODULE SYSTEM AND METHOD



(57) Abstract: A flexible circuitry is populated with integrated circuitry (ICs) disposed along one or both of its major sides. Contacts are distributed along the flexible circuitry to provide connection between the module and an application environment. A rigid substrate is configured to provide space on one side where the populated flex is disposed while in some embodiments, heat management or cooling structures are arranged on one side of the module to mitigate thermal accumulation in the module.

WO 2006/121488 A3



ZW), Eurasian (AM, AZ, BY, KG, KZ, MD, RU, TJ, TM), European (AT, BE, BG, CH, CY, CZ, DE, DK, EE, ES, FI, FR, GB, GR, HU, IE, IS, IT, LT, LU, LV, MC, NL, PL, PT, RO, SE, SI, SK, TR), OAPI (BF, BJ, CF, CG, CI, CM, GA, GN, GQ, GW, ML, MR, NE, SN, TD, TG).

Published:

- *with international search report*
- *before the expiration of the time limit for amending the claims and to be republished in the event of receipt of amendments*

(88) Date of publication of the international search report:
3 January 2008

For two-letter codes and other abbreviations, refer to the "Guidance Notes on Codes and Abbreviations" appearing at the beginning of each regular issue of the PCT Gazette.

INTERNATIONAL SEARCH REPORT

International application No.

PCT/US06/07192

A. CLASSIFICATION OF SUBJECT MATTER
 IPC: **H05K 7/20**(2006.01),**7/00**(2006.01),**1/00**(2006.01);**H01R 12/16**(2006.01)

 USPC: 361/749.703,711.719.735.789.690
 According to International Patent Classification (IPC) or to both national classification and IPC

B. FIELDS SEARCHED
 Minimum documentation searched (classification system followed by classification symbols)
 U.S. : 361/749.703.711.719.735.789.690

 Documentation searched other than minimum documentation to the extent that such documents are included in the fields searched

 Electronic data base consulted during the international search (name of data base and, where practicable, search terms used)
 Google/ www/ CSP, AMB. processor, expansion cards or modules, thermal conductive substrate

C. DOCUMENTS CONSIDERED TO BE RELEVANT

| Category * | Citation of document, with indication, where appropriate, of the relevant passages | Relevant to claim No. |
|------------|--|-----------------------------|
| X | US 6,012,048 (smith) 1 Feb 2000, Column 2 lines 27-63, column 4 lines 13-14 | 1-4, 10, 14, 15, 18, 20, 21 |
| Y | US 5,138,523 (Benck et al) 11 August 1992 column 3 lines 38-40 | 5,6, 30 |
| Y | US 5,138,523 (Benck et al) 11 August 1992, column 4 line 66 | 7,8,19,22,26 |
| Y | US 5,138,523 (Benck et al) 11 August 1992, column 4 lines 57-60 | 9,27 |

Further documents are listed in the continuation of Box C. See patent family annex.

| * Special categories of cited documents: | |
|---|--|
| "A" document defining the general state of the art which is not considered to be of particular relevance | "I" later document published after the international filing date or priority date and not in conflict with the application but cited to understand the principle or theory underlying the invention |
| "E" earlier application or patent published on or after the international filing date | "X" document of particular relevance; the claimed invention cannot be considered novel or cannot be considered to involve an inventive step when the document is taken alone |
| "L" document which may throw doubts on priority claim(s) or which is cited to establish the publication date of another citation or other special reason (as specified) | "Y" document of particular relevance; the claimed invention cannot be considered to involve an inventive step when the document is combined with one or more other such documents, such combination being obvious to a person skilled in the art |
| "O" document referring to an oral disclosure, use, exhibition or other means | "&" document member of the same patent family |
| "P" document published prior to the international filing date but later than the priority date claimed | |

| | |
|--|--|
| Date of the actual completion of the international search 10/31/2007 | Date of mailing of the international search report 08 NOV 2007 |
| Name and mailing address of the ISA/US Mail Stop PCT, Attn: ISA/US Commissioner of Patents P.O. Box 1450 Alexandria, Virginia 22313-1450 Facsimile No. (571) 273-3201 | Authorized officer <i>Diego Gutierrez</i> Diego Gutierrez Telephone No. 571-272-2800 |