



US00D613809S

(12) **United States Design Patent**  
**Barnes et al.**

(10) **Patent No.:** **US D613,809 S**  
(45) **Date of Patent:** **\*\* Apr. 13, 2010**

(54) **ANTLER-SHAPED ARROW QUIVER**

(75) Inventors: **Michael E. Barnes**, Cadillac, MI (US);  
**Richard F. Mowery**, Atlanta, MI (US)

(73) Assignee: **The Bohning Company, Ltd**, Lake City, MI (US)

(\*\*) Term: **14 Years**

(21) Appl. No.: **29/296,841**

(22) Filed: **Oct. 30, 2007**

(51) **LOC (9) Cl.** ..... **22-01**

(52) **U.S. Cl.** ..... **D22/107**

(58) **Field of Classification Search** ..... D22/107;  
124/89, 86, 87, 88; D10/96; D21/573, 753,  
D21/789, 791; 473/300

See application file for complete search history.

(56) **References Cited**

**U.S. PATENT DOCUMENTS**

4,823,764 A \* 4/1989 Knaack ..... 124/88

(Continued)

*Primary Examiner*—T. Chase Nelson

*Assistant Examiner*—Michael A Pratt

(74) *Attorney, Agent, or Firm*—Smith Frohwein Tempel  
Greenlee Blaha, LLC; Gregory Scott Smith

(57) **CLAIM**

The ornamental design for an antler-shaped arrow quiver, as shown and described.

**DESCRIPTION**

FIG. 1 is a perspective view illustrating a first embodiment of the design for an antler-shaped arrow quiver;

FIG. 2 is a top view of the first embodiment;

FIG. 3 is a bottom view of the first embodiment;

FIG. 4 is a front view thereof illustrating an arrow inserted into the arrow quiver, the arrow being disclaimed as part of the claim;

FIG. 5 is a right-side view of the first embodiment;

FIG. 6 is a back view of the first embodiment;

FIG. 7 is a left-side view of the first embodiment;

FIG. 8 is cross section view taken along 8—8;

FIG. 9 is a bottom view of the arrow holder, removed for clarity;

FIG. 10 is a perspective view illustrating a second embodiment of the design for an antler-shaped arrow quiver;

FIG. 11 is a top view of the second embodiment;

FIG. 12 is a bottom view of the second embodiment;

FIG. 13 is a front view thereof illustrating an arrow inserted into the arrow quiver, the arrow being disclaimed as part of the claim;

FIG. 14 is a right-side view of the second embodiment;

FIG. 15 is a back view of the second embodiment;

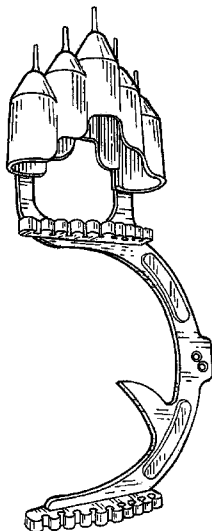
FIG. 16 is a left-side view of the second embodiment;

FIG. 17 is a cross section view taken along 17—17; and,

FIG. 18 is a bottom view of the arrow holder, removed for clarity.

Two embodiments of the invention are provided. The first illustrated embodiment (FIGS. 1–9) shows the structure of the claimed antler-shaped arrow quiver with a first stem size. The second illustrated embodiment (FIGS. 10–18) shows the structure of the claimed antler-shaped arrow quiver with a second stem size. The broken line showing of an arrow in FIGS. 4 and 13 and indicia in FIGS. 2, 3, 9, 11, 12 and 18 is included for the purpose of illustrating environment and forms no part of the claimed design.

**1 Claim, 8 Drawing Sheets**



# US D613,809 S

Page 2

---

U.S. PATENT DOCUMENTS		2003/0140913 A1*	7/2003	Stinson .....	124/86
5,114,107 A *	5/1992 Mahn et al. ....	248/217.4			
5,190,022 A *	3/1993 Larson .....	124/25.7			
				2008/0302346 A1*	12/2008 Notestine .....
					124/25.7
				* cited by examiner	

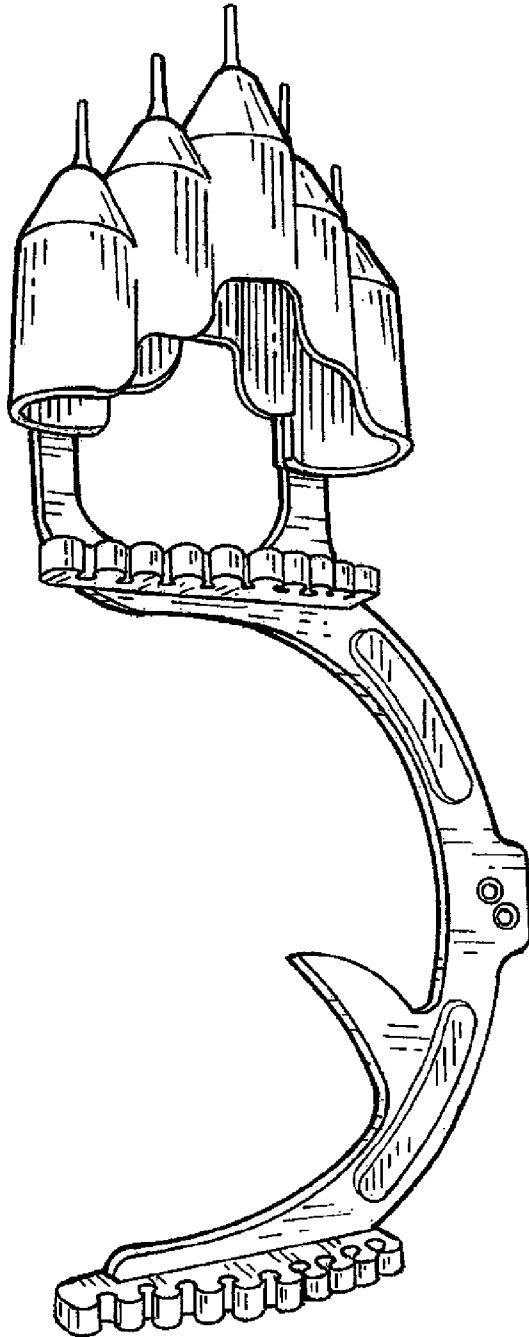


FIG. 1

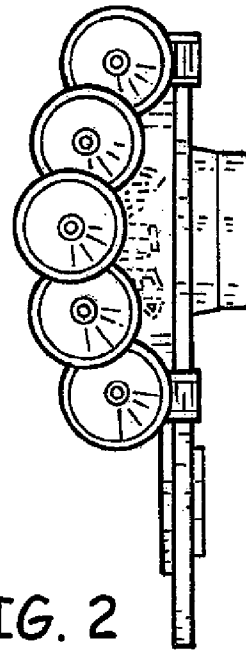


FIG. 2

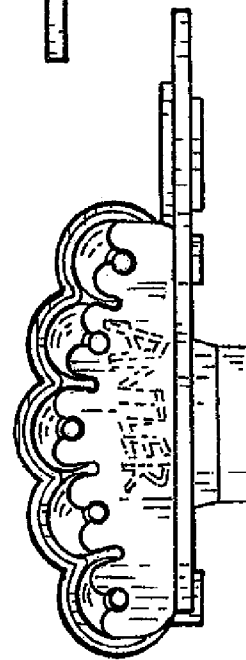
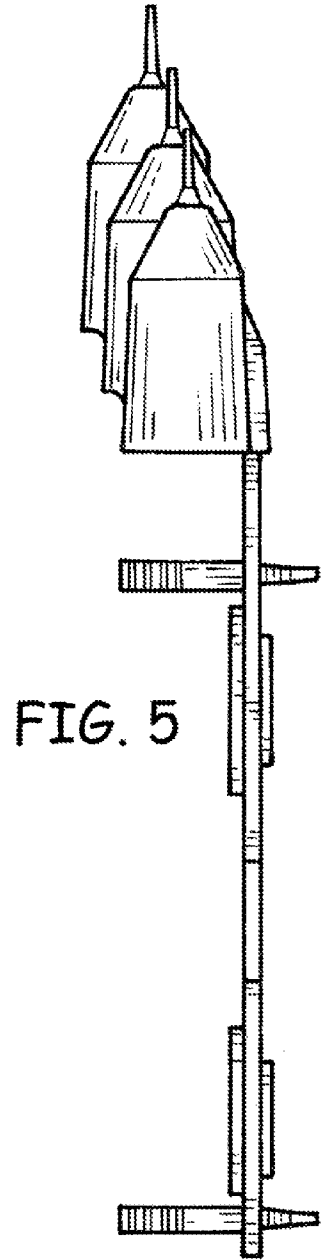
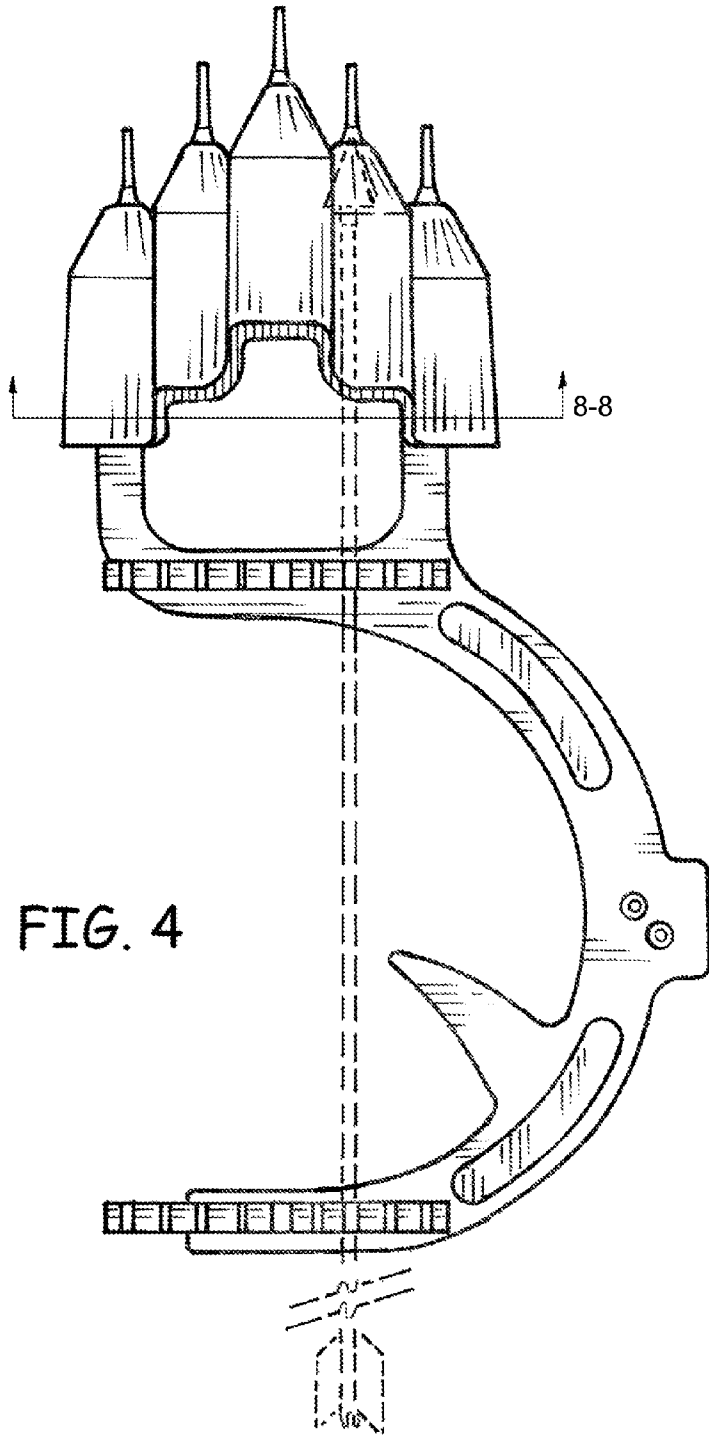


FIG. 3



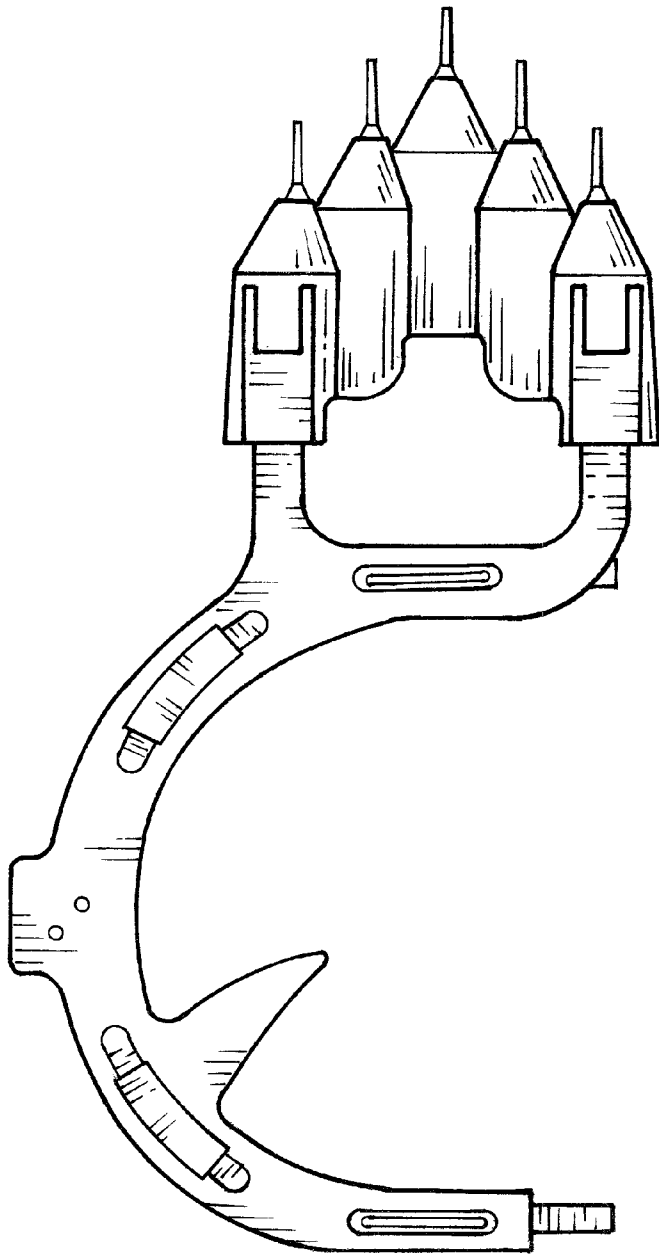


FIG. 6

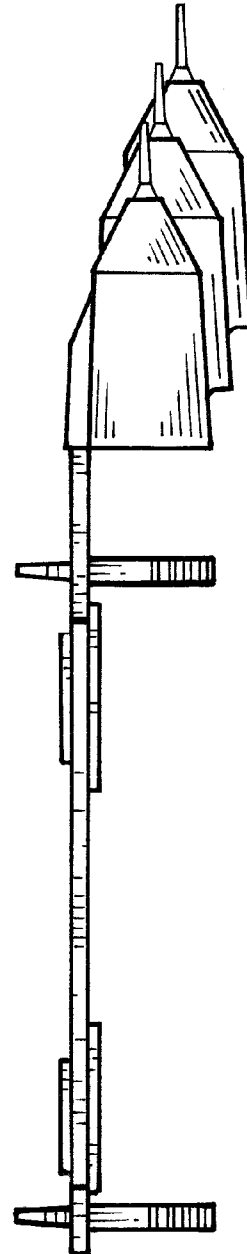


FIG. 7

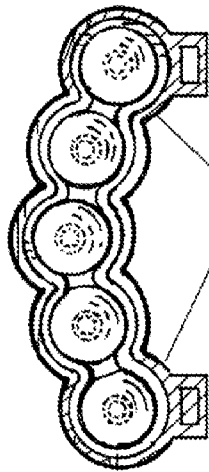


FIG. 8

Portions that are shown  
in cross-section in Fig. 4

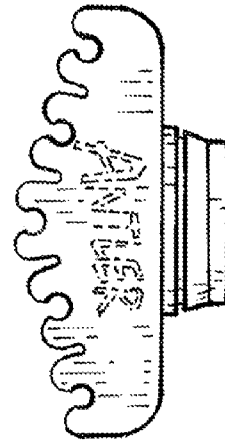


FIG. 9

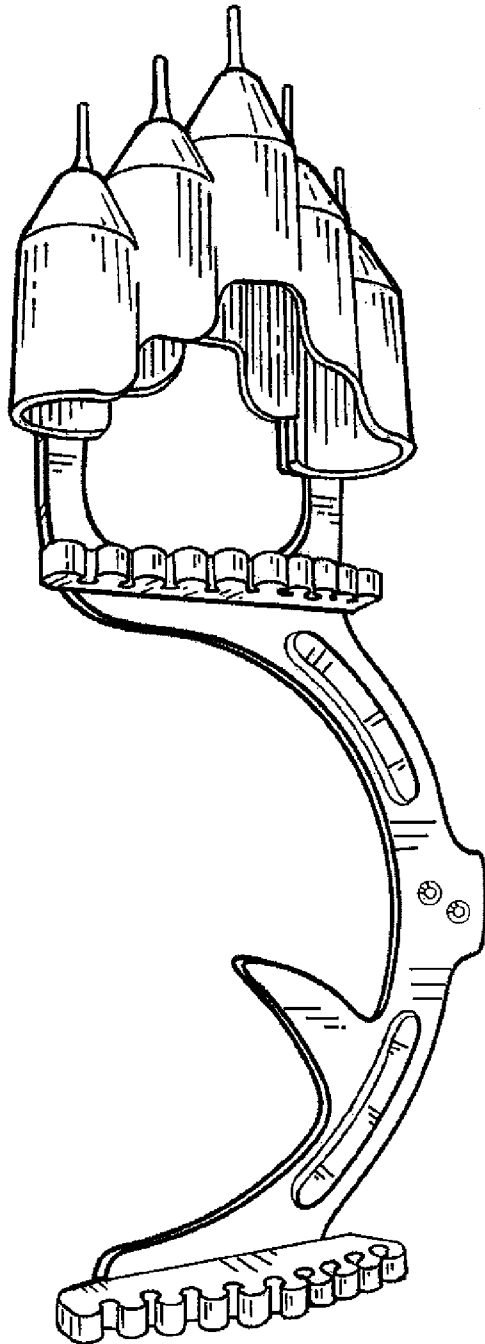


FIG. 10

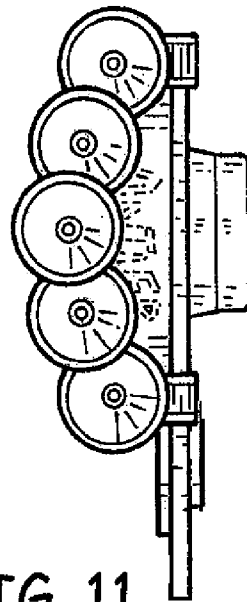


FIG. 11

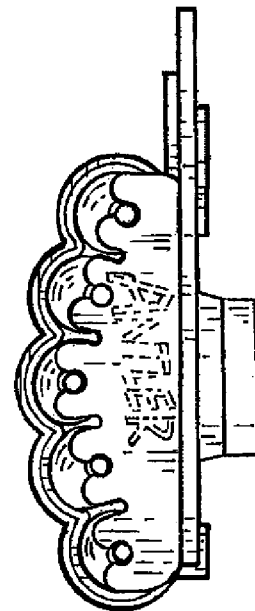


FIG. 12

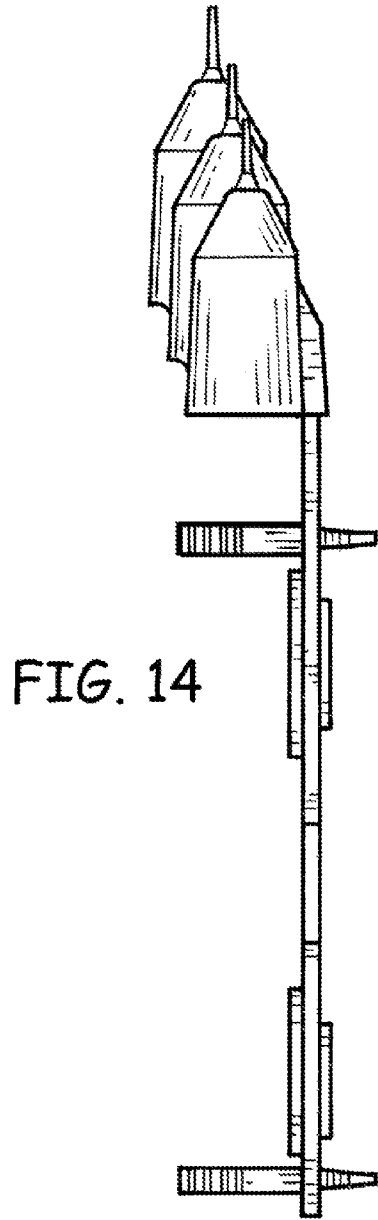
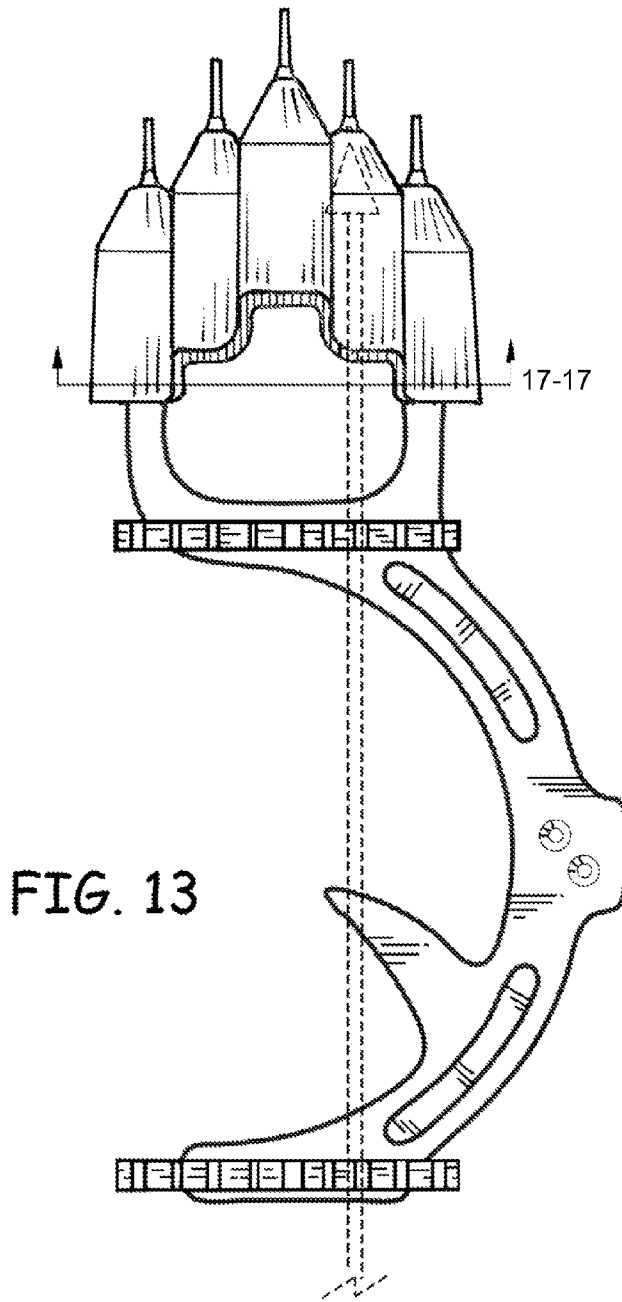


FIG. 14

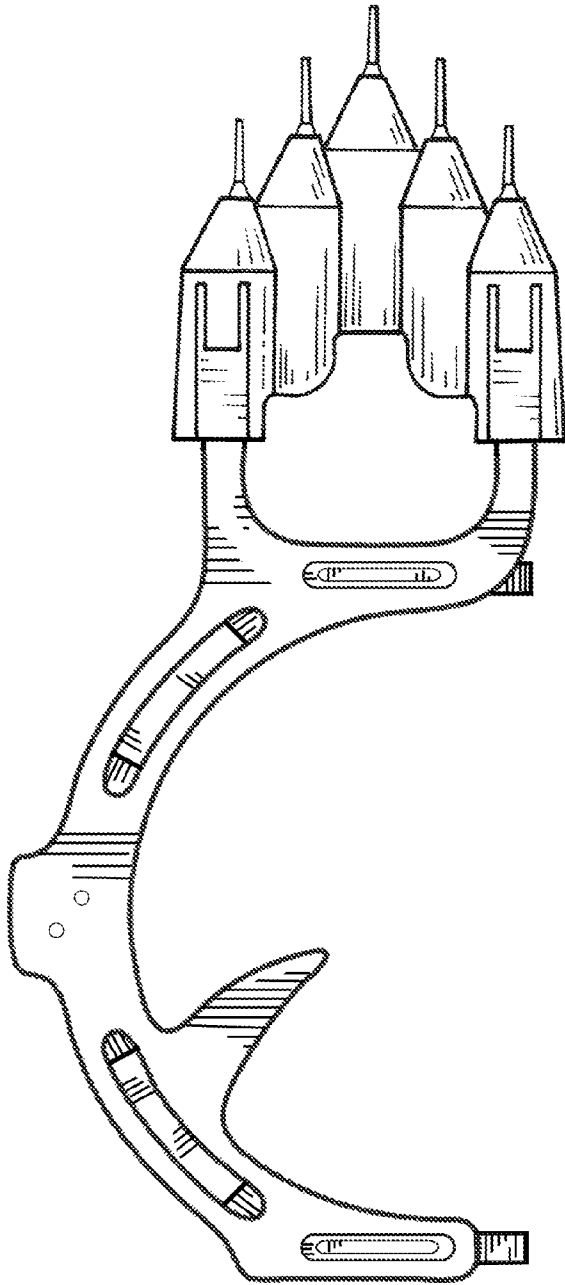


FIG. 15

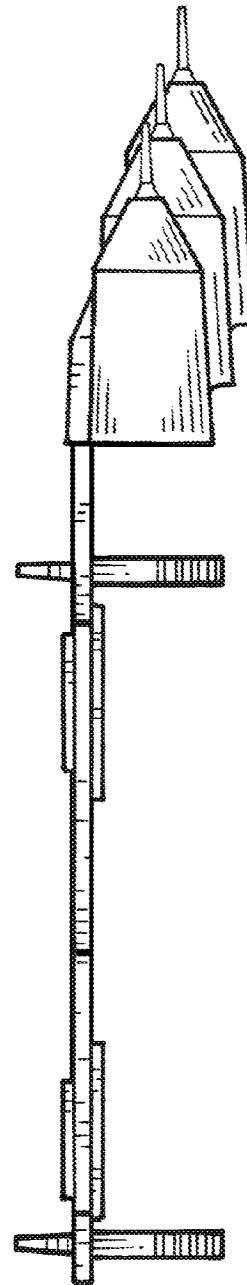
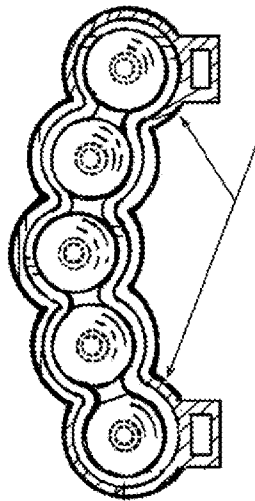


FIG. 16



Portions that are shown  
in cross-section in Fig. 13

FIG. 17

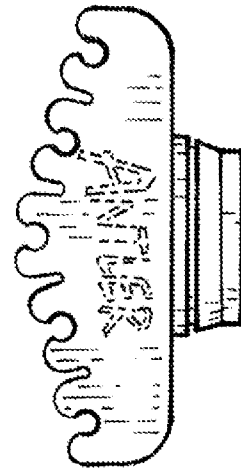


FIG. 18