

(19) World Intellectual Property Organization
International Bureau



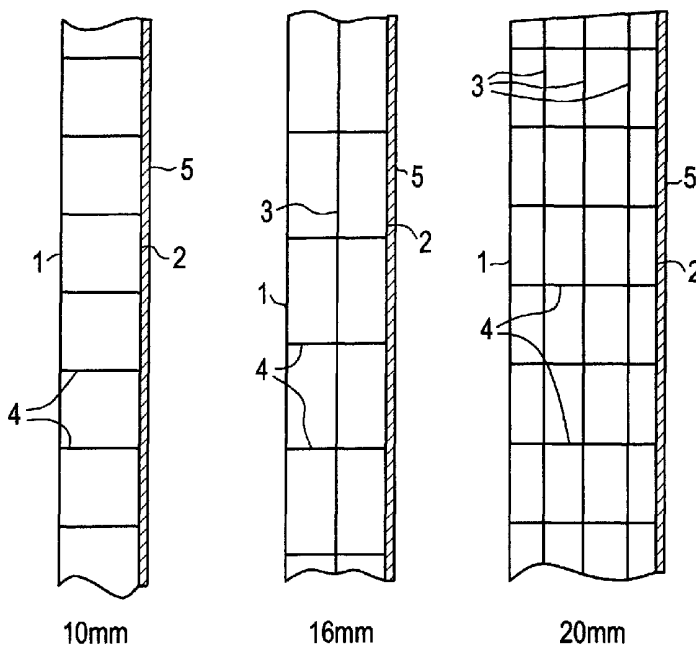
(43) International Publication Date
27 December 2001 (27.12.2001)

PCT

(10) International Publication Number
WO 01/098818 A3

- (51) International Patent Classification⁷: **G02B 5/28, 5/20** (74) Agents: **SNYDER, Bernard** et al.; General Electric Company, 3135 Easton Turnpike W3C, Fairfield, CT 06431 (US).
- (21) International Application Number: PCT/US01/13304
- (22) International Filing Date: 25 April 2001 (25.04.2001) (81) Designated States (*national*): CN, IN, JP, SG.
- (25) Filing Language: English (84) Designated States (*regional*): European patent (AT, BE, CH, CY, DE, DK, ES, FI, FR, GB, GR, IE, IT, LU, MC, NL, PT, SE, TR).
- (26) Publication Language: English
- (30) Priority Data: 09/596,300 17 June 2000 (17.06.2000) US Published: — with international search report
- (71) Applicant: **GENERAL ELECTRIC COMPANY** [US/US]; 1 River Road, Schenectady, NY 12345 (US). (88) Date of publication of the international search report: 10 October 2002
- (72) Inventors: **PRATNECKER, Kurt**; A-2802 Hochwolkersdorf 103 (AT). **TACKE-WILLEMSEN, Augustina, Martina**; Agger 51, NL-4617 NM Bergen op Zoom (NL). *For two-letter codes and other abbreviations, refer to the "Guidance Notes on Codes and Abbreviations" appearing at the beginning of each regular issue of the PCT Gazette.*

(54) Title: ARTICLE HAVING REFLECTING COATING AND PROCESS FOR THE MANUFACTURE



(57) Abstract: Described is an object having a coating on at least one of its surfaces over at least part of its area comprising IR reflecting particles which comprise at least two titanium dioxide layer applied on a flake like carrier and a suitable binder material and a method for manufacturing of such object.



WO 01/098818 A3

INTERNATIONAL SEARCH REPORT

International Application No

PCT/US 01/13304

A. CLASSIFICATION OF SUBJECT MATTER
 IPC 7 G02B5/28 G02B5/20

According to International Patent Classification (IPC) or to both national classification and IPC

B. FIELDS SEARCHED

Minimum documentation searched (classification system followed by classification symbols)
 IPC 7 G02B

Documentation searched other than minimum documentation to the extent that such documents are included in the fields searched

Electronic data base consulted during the international search (name of data base and, where practical, search terms used)

EPO-Internal, PAJ, INSPEC

C. DOCUMENTS CONSIDERED TO BE RELEVANT

Category °	Citation of document, with indication, where appropriate, of the relevant passages	Relevant to claim No.
A	EP 0 548 822 A (ROEHM GMBH) 30 June 1993 (1993-06-30) cited in the application page 4, line 5 - line 53 ---	1,7
A	DE 196 18 569 A (MERCK PATENT GMBH) 13 November 1997 (1997-11-13) cited in the application claims 1-3 ---	1,7
A	WO 00 09312 A (PALTOUGH IND 1998 LTD ;RIOS PABLO FABIAN (IL); BEN ZVI GUY (IL)) 24 February 2000 (2000-02-24) claims 1,3 -----	1,7

Further documents are listed in the continuation of box C.

Patent family members are listed in annex.

° Special categories of cited documents :

- *A* document defining the general state of the art which is not considered to be of particular relevance
- *E* earlier document but published on or after the international filing date
- *L* document which may throw doubts on priority claim(s) or which is cited to establish the publication date of another citation or other special reason (as specified)
- *O* document referring to an oral disclosure, use, exhibition or other means
- *P* document published prior to the international filing date but later than the priority date claimed

- *T* later document published after the international filing date or priority date and not in conflict with the application but cited to understand the principle or theory underlying the invention
- *X* document of particular relevance; the claimed invention cannot be considered novel or cannot be considered to involve an inventive step when the document is taken alone
- *Y* document of particular relevance; the claimed invention cannot be considered to involve an inventive step when the document is combined with one or more other such documents, such combination being obvious to a person skilled in the art.
- *&* document member of the same patent family

Date of the actual completion of the international search

9 July 2002

Date of mailing of the international search report

19/07/2002

Name and mailing address of the ISA

European Patent Office, P.B. 5818 Patentlaan 2
 NL - 2280 HV Rijswijk
 Tel. (+31-70) 340-2040, Tx. 31 651 epo nl,
 Fax: (+31-70) 340-3016

Authorized officer

Sarneel, A

INTERNATIONAL SEARCH REPORT
 information on patent family members

International Application No
 PCT/US 01/13304

Patent document cited in search report		Publication date	Patent family member(s)	Publication date
EP 0548822	A	30-06-1993	AT 139034 T	15-06-1996
			DE 59206491 D1	11-07-1996
			DK 548822 T3	29-07-1996
			EP 0548822 A2	30-06-1993
			ES 2089356 T3	01-10-1996

DE 19618569	A	13-11-1997	WO 9853011 A1	26-11-1998
			DE 19618569 A1	13-11-1997
			TW 438866 B	07-06-2001
			BR 9710753 A	14-09-1999
			EP 0948572 A1	13-10-1999
			JP 2000517374 T	26-12-2000

WO 0009312	A	24-02-2000	AU 2744699 A	06-03-2000
			EP 1112162 A1	04-07-2001
			WO 0009312 A1	24-02-2000
