



US00D998240S

(12) **United States Design Patent** (10) **Patent No.:** **US D998,240 S**
Goeder et al. (45) **Date of Patent:** **** Sep. 5, 2023**

(54) **ELECTRIC DRY SHAVER ATTACHMENT**

(71) Applicant: **Braun GmbH**, Kronberg (DE)

(72) Inventors: **Philipp Goeder**, Frankfurt (DE);
Gregor Ptok, Frankfurt (DE);
Bernhard Sikora, Kelkheim (DE);
Wolfgang Stegmann, Frankfurt (DE)

(73) Assignee: **Braun GMBH**, Kronberg (DE)

(**) Term: **15 Years**

(21) Appl. No.: **29/781,663**

(22) Filed: **Apr. 30, 2021**

D509,626 S * 9/2005 Yiu D28/54
D513,344 S 12/2005 Choi
D513,541 S 1/2006 Nishizawa
D518,236 S 3/2006 Butcher
7,065,879 B2 6/2006 Bader et al.
D567,446 S 4/2008 Hara et al.
D571,957 S 6/2008 Nishizawa
D586,955 S 2/2009 Eigenstetter et al.
D590,542 S 4/2009 Ullmann
D590,543 S 4/2009 Ullmann
D604,907 S 11/2009 Emminger

(Continued)

FOREIGN PATENT DOCUMENTS

CN 110340948 A 10/2019
CN 112873285 A 6/2021

(Continued)

Related U.S. Application Data

(62) Division of application No. 29/709,111, filed on Oct. 11, 2019, now Pat. No. Des. 921,985, which is a division of application No. 29/598,471, filed on Mar. 27, 2017, now Pat. No. Des. 868,377.

Foreign Application Priority Data

Sep. 28, 2016 (WO) 968861101
Nov. 10, 2016 (WO) 1336501

(51) **LOC (14) Cl.** **28-03**

(52) **U.S. Cl.**
USPC **D28/54**

(58) **Field of Classification Search**
USPC D28/49-54
CPC B26B 19/3813; B26B 19/3846; B26B 19/3853-388; B26B 19/148
See application file for complete search history.

References Cited

U.S. PATENT DOCUMENTS

D356,185 S 3/1995 Rizzuto
D454,980 S 3/2002 Long et al.

OTHER PUBLICATIONS

Braun Hair Clippers for Men 9 in 1, www.amazon.com, reviewed as early as Sep. 2020, 1 page (Year: 2020).*

(Continued)

Primary Examiner — Jennifer Rivard
(74) *Attorney, Agent, or Firm* — Brigitte Grab; Kevin C. Johnson

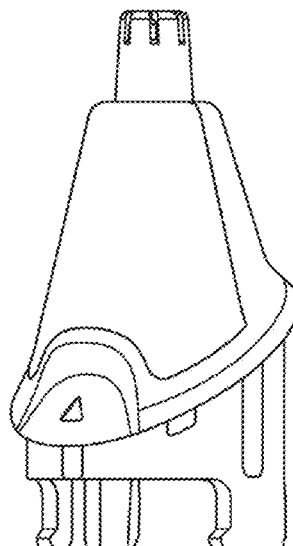
(57) **CLAIM**

The ornamental design for an electric dry shaver attachment, as shown and described.

DESCRIPTION

FIG. 1 is a perspective view of an electric dry shaver attachment;
FIG. 2 is a front view thereof;
FIG. 3 is a left side view thereof;
FIG. 4 is a rear view thereof;
FIG. 5 is a right side view thereof; and,
FIG. 6 is a top plan view thereof.

1 Claim, 4 Drawing Sheets



(56)

References Cited

U.S. PATENT DOCUMENTS

D628,745 S	12/2010	Dingelstad	
D637,761 S *	5/2011	Kikawa	D28/53
D648,895 S	11/2011	Ino	
D649,290 S	11/2011	Ino	
D657,912 S	4/2012	Yoon	
D664,298 S	7/2012	Grabes et al.	
D668,387 S	10/2012	Grabes et al.	
D675,377 S	1/2013	Boulanger	
D689,242 S	9/2013	Grabes et al.	
D690,880 S	10/2013	Grabes et al.	
D696,458 S	12/2013	Ino	
D698,084 S	1/2014	Yoon	
D698,492 S	1/2014	Grabes et al.	
D702,882 S	4/2014	Grabes et al.	
D711,594 S	8/2014	Palmer et al.	
D713,994 S	9/2014	Grabes et al.	
D717,001 S	11/2014	Uematsu	
D717,996 S	11/2014	Kikuchi	
D722,199 S	2/2015	Boulanger	
D724,271 S	3/2015	Giannini	
D733,358 S	6/2015	Palmer et al.	
D751,252 S	3/2016	Grabes et al.	
D752,811 S	3/2016	Okabe et al.	
D753,342 S	4/2016	Okabe	
D756,565 S	5/2016	Andersson	
D757,363 S *	5/2016	Sugiyama	D28/53
D758,018 S	5/2016	Okabe et al.	
D760,437 S	6/2016	Emminger	
D763,509 S	8/2016	Teteak et al.	
D767,207 S	9/2016	Dekliein	
D768,391 S	10/2016	Kling et al.	
D771,315 S	11/2016	Andersson et al.	
D781,588 S	3/2017	Lee	
D784,618 S	4/2017	Mori et al.	
D799,118 S	10/2017	Ino	
D800,965 S	10/2017	Aulwes et al.	
D802,214 S	11/2017	Mintz et al.	
D804,189 S	12/2017	Von Berg	
D813,457 S	3/2018	Okabe et al.	
D813,458 S	3/2018	Okabe et al.	
9,962,842 B2	5/2018	Komori et al.	
D819,338 S	6/2018	Xiong	
10,080,428 B2	9/2018	Kern	
D829,445 S	10/2018	Kern	
D851,835 S	6/2019	Gross	
D853,648 S	7/2019	Boulanger et al.	
D857,296 S *	8/2019	Khubani	D28/51
10,421,202 B2	9/2019	Erndt et al.	
D866,072 S	11/2019	Chen	
D866,861 S	11/2019	Dawson et al.	
D867,663 S	11/2019	Boulanger	
D868,377 S	11/2019	Goeder et al.	
10,486,316 B2	11/2019	Erndt et al.	
10,486,318 B2	11/2019	Bady et al.	
D872,366 S	1/2020	Cociffi et al.	
D873,489 S *	1/2020	Zhou	D28/53
10,532,473 B2	1/2020	Krauss et al.	
10,556,354 B2	2/2020	Erndt et al.	
D879,377 S	3/2020	Dawson et al.	
D883,573 S	5/2020	Cociffi et al.	
10,702,999 B2	7/2020	Iaccarino et al.	
D894,493 S *	8/2020	Baratelli	D28/54
10,751,893 B2	8/2020	Okura et al.	
D899,690 S	10/2020	De Belizal	
D905,909 S	12/2020	Wang	
D908,962 S	1/2021	Tran	
10,906,195 B2	2/2021	Bady et al.	
D921,985 S	6/2021	Goeder et al.	
D922,682 S	6/2021	Sikora et al.	
D925,830 S	7/2021	Szymanski et al.	
D930,245 S	9/2021	De Belizal	
D933,297 S *	10/2021	Luo	D28/50
D934,503 S *	10/2021	Luo	D28/53
D940,958 S	1/2022	Langberg et al.	
D942,082 S	1/2022	Goeder et al.	
D942,083 S	1/2022	Goeder et al.	
D942,686 S	2/2022	Goeder et al.	
D951,542 S *	5/2022	Meng	D28/53
D961,160 S	8/2022	Sikora et al.	
D961,850 S *	8/2022	Xiong	D28/53
D961,851 S *	8/2022	Van Roosmalen	D28/54
D965,889 S	10/2022	Zeng	
2006/0010630 A1	1/2006	Tse	
2008/0134514 A1	6/2008	Iwasaki et al.	
2009/0133264 A1	5/2009	Eichhorn et al.	
2012/0192436 A1	8/2012	Toy	
2013/0023806 A1	1/2013	Ungemach et al.	
2013/0097871 A1	4/2013	Yamaguchi et al.	
2015/0314461 A1	11/2015	Man Wong et al.	
2016/0031099 A1	2/2016	Provolo et al.	
2016/0176058 A1	6/2016	Piesker et al.	
2017/0190063 A1	7/2017	Schratter et al.	
2018/0085934 A1	3/2018	Erndt et al.	
2018/0085937 A1	3/2018	Erndt et al.	
2018/0085940 A1	3/2018	Krauss et al.	
2018/0085945 A1	3/2018	Bady et al.	
2018/0085949 A1	3/2018	Krauss et al.	
2018/0085956 A1	3/2018	Bady et al.	
2018/0092449 A1	4/2018	Straka et al.	
2018/0311842 A1	11/2018	Kraus et al.	
2018/0319026 A1	11/2018	Hayashi et al.	
2019/0299433 A1	10/2019	Fuerst et al.	
2019/0299438 A1	10/2019	Erndt	
2021/0031386 A1	2/2021	Neyer et al.	
2021/0268674 A1	9/2021	Weschta et al.	

FOREIGN PATENT DOCUMENTS

CN	215282036 U	12/2021
EP	3854543 A1	7/2021
WO	2016041959 A1	3/2016

OTHER PUBLICATIONS

All Office Actions; U.S. Appl. No. 29/598,471, filed Mar. 27, 2017.
 All Office Actions; U.S. Appl. No. 29/709,111, filed Oct. 11, 2019.
 All Office Actions; U.S. Appl. No. 29/781,553, filed Apr. 30, 2021.
 All Office Actions; U.S. Appl. No. 29/781,558, filed Apr. 30, 2021.
 All Office Actions; U.S. Appl. No. 29/781,564, filed Apr. 30, 2021.
 All Office Actions; U.S. Appl. No. 29/781,600, filed Apr. 30, 2021.
 All Office Actions; U.S. Appl. No. 29/781,606, filed Apr. 30, 2021.
 All Office Actions; U.S. Appl. No. 29/781,610, filed Apr. 30, 2021.
 All Office Actions; U.S. Appl. No. 29/781,617, filed Apr. 30, 2021.
 All Office Actions; U.S. Appl. No. 29/781,624, filed Apr. 30, 2021.
 All Office Actions; U.S. Appl. No. 29/781,627, filed Apr. 30, 2021.
 All Office Actions; U.S. Appl. No. 29/781,642, filed on U.S. Appl. No. 29/781,642.
 All Office Actions; U.S. Appl. No. 29/781,651, filed Apr. 30, 2021.
 All Office Actions; U.S. Appl. No. 29/781,656, filed Apr. 30, 2021.
 All Office Actions; U.S. Appl. No. 29/781,627, filed Apr. 30, 2021.
 All Office Actions; U.S. Appl. No. 29/781,635, filed Apr. 30, 2021.
 URL Link: <https://www.amazon.com/Braun-Trimmer-Cordless-Rechargeable-Clipper/dp/B07XZS N2N3?th=1Braun Beard Trimmer BT3221>, reviewed as early as May 2020, 1 page (Year: 2020).
 Kemei Dry Shaver Brush, www.cdn.shopify.com, 1 page, downloaded Dec. 2018 (Year: 2018).
 Philips Series 7000, www.philips.co.uk, 1 page, downloaded Dec. 2018 (Year: 2018).
 U.S. Appl. No. 29/781,651, filed Apr. 30, 2021, Philipp Goeder et al.
 U.S. Appl. No. 29/781,656, filed Apr. 30, 2021, Philipp Goeder et al.
 U.S. Appl. No. 29/781,558, filed Apr. 30, 2021, Philipp Goeder et al.
 U.S. Appl. No. 29/781,564, filed Apr. 30, 2021, Philipp Goeder et al.
 U.S. Appl. No. 29/781,600, filed Apr. 30, 2021, Philipp Goeder et al.
 U.S. Appl. No. 29/781,606, filed Apr. 30, 2021, Philipp Goeder et al.

(56)

References Cited

OTHER PUBLICATIONS

U.S. Appl. No. 29/781,610, filed Apr. 30, 2021, Philipp Goeder et al.

U.S. Appl. No. 29/781,617, filed Apr. 30, 2021, Philipp Goeder et al.

U.S. Appl. No. 29/781,624, filed Apr. 30, 2021, Philipp Goeder et al.

U.S. Appl. No. 29/781,553, filed Apr. 30, 2021, Philipp Goeder et al.

* cited by examiner

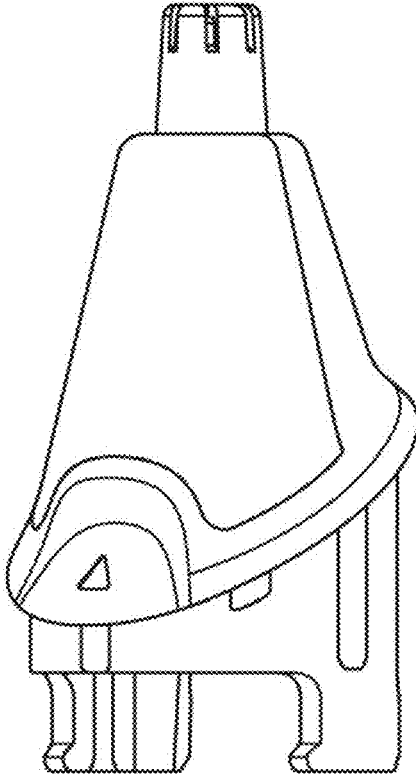


Fig. 1

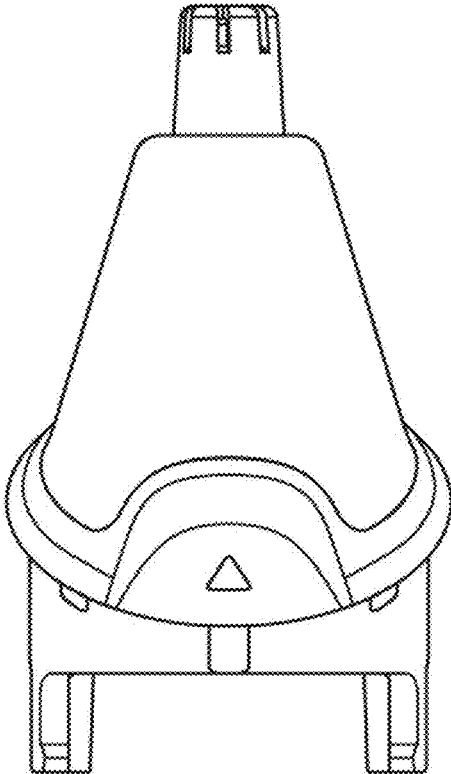


Fig. 2

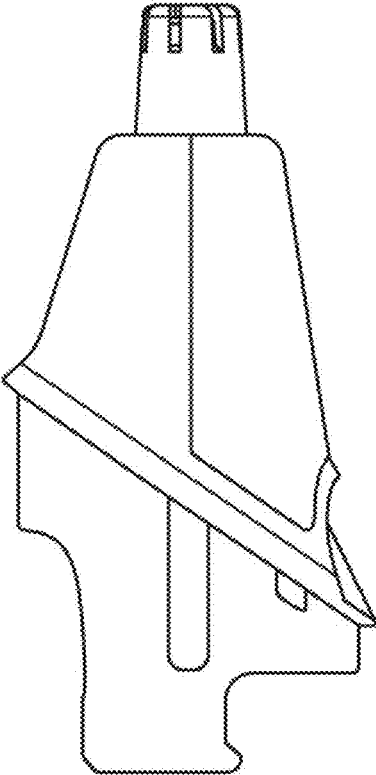


Fig. 3

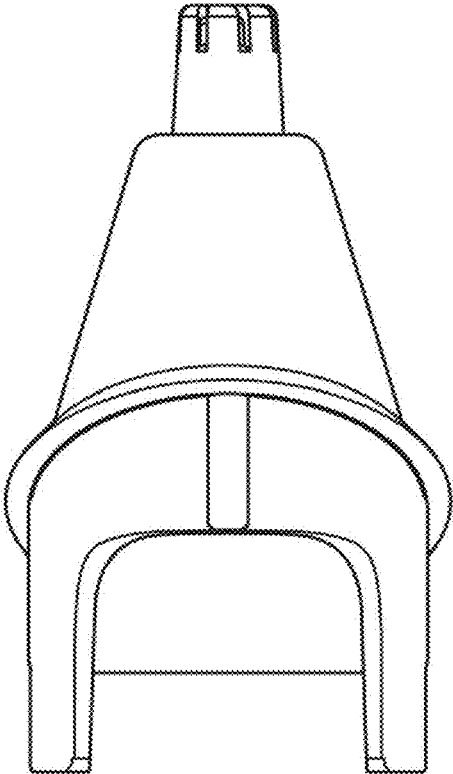


Fig. 4

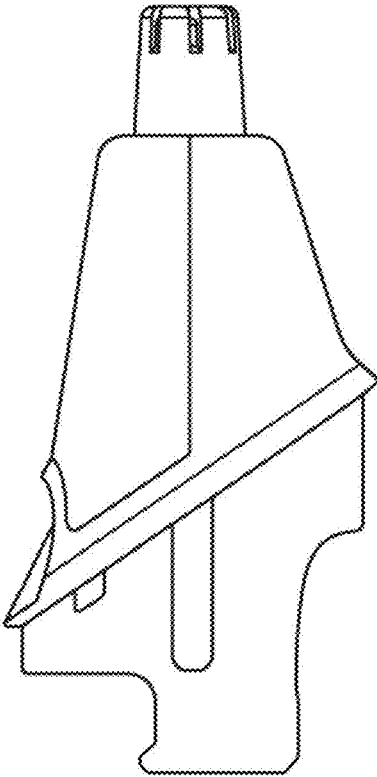


Fig. 5

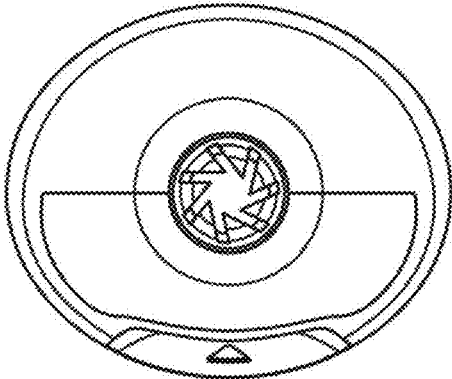


Fig. 6