



US0D1069012S

(12) **United States Design Patent**
Qian

(10) **Patent No.:** **US D1,069,012 S**

(45) **Date of Patent:** **** Apr. 1, 2025**

(54) **DIAMOND TENT**

(71) Applicant: **Ningbo Suntime Garden furniture Co., Ltd., Ningbo (CN)**

(72) Inventor: **Weizhong Qian, Ningbo (CN)**

(73) Assignee: **Ningbo Suntime Garden furniture Co., Ltd., Ningbo (CN)**

(**) Term: **15 Years**

(21) Appl. No.: **29/873,379**

(22) Filed: **Mar. 30, 2023**

(51) **LOC (15) Cl.** **21-04**

(52) **U.S. Cl.**
USPC **D21/837**

(58) **Field of Classification Search**
USPC D21/834, 836-839; D25/16, 22, 32
(Continued)

(56) **References Cited**

U.S. PATENT DOCUMENTS

6,598,614 B2 * 7/2003 Liu E04H 15/50
135/131
8,776,815 B2 * 7/2014 Park E04H 15/50
135/145

(Continued)

FOREIGN PATENT DOCUMENTS

CN 307947372 * 3/2023
CN 308136585 * 7/2023

(Continued)

OTHER PUBLICATIONS

“Steel Frame Canopy,” available from Uline; first date available unknown; retrieved from Internet Jul. 30, 2024; <https://www.uline.com/Product/Detail/H-2674BLU/Canopies-and-Tents/Steel-Frame->

Canopy-10-x-10-Blue?pricode=WA9444&gadtype=pla&id=H-2674BLU&gad_source=1&gclid=

EAlalQobChMlGvnms4rPhwMVsoZaBR0Jn (Year: 2024).*

(Continued)

Primary Examiner — Steven J Cxyz

Assistant Examiner — Matthew O Williams

(74) *Attorney, Agent, or Firm* — Nitin Kaushik

(57) **CLAIM**

The ornamental design for a diamond tent, as shown and described.

DESCRIPTION

FIG. 1 is a top perspective view of a diamond tent, showing my new design;

FIG. 2 is a bottom perspective view thereof;

FIG. 3 is a front view thereof;

FIG. 4 is a rear view thereof;

FIG. 5 is a left side view thereof;

FIG. 6 is a right side view thereof;

FIG. 7 is a top view thereof;

FIG. 8 is a bottom view thereof;

FIG. 9 is an enlarged view of the area labeled 9 in FIG. 2;

FIG. 10 is an enlarged view of the area labeled 10 in FIG. 2;

FIG. 11 is an enlarged view of the area labeled 11 in FIG. 2;

FIG. 12 is an enlarged view of the area labeled 12 in FIG. 2, the construction of the other three corners being identical;

FIG. 13 is an enlarged view of the area labeled 13 in FIG. 2;

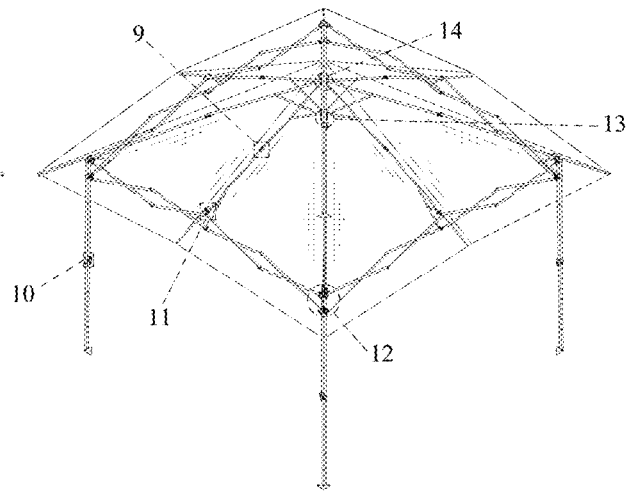
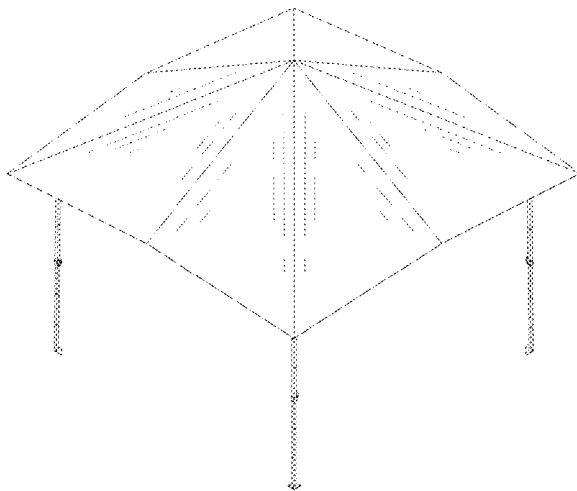
FIG. 14 is an enlarged view of the area labeled 14 in FIG. 2;

FIG. 15 is an enlarged view of the area labeled 15 in FIG. 8; and,

FIG. 16 is a detailed structure diagram of the part blocked by the bracket in FIG. 13.

The broken lines in the drawings illustrate portions of the diamond tent that form no part of the claimed design.

1 Claim, 16 Drawing Sheets



(58) **Field of Classification Search**

CPC E04H 15/00; E04H 15/006; E04H 15/18;
 E04H 15/24; E04H 15/32; E04H 15/36;
 E04H 15/44; E04H 15/46; E04H 15/48;
 E04H 15/405

See application file for complete search history.

FOREIGN PATENT DOCUMENTS

EM	015043993-001	* 12/2023
JP	D1553484	* 7/2016
WO	D226460-001	* 2/2023

(56) **References Cited**

U.S. PATENT DOCUMENTS

D854,107	S *	7/2019	Choi	D21/834
D859,564	S *	9/2019	Choi	D21/839
D970,675	S *	11/2022	Ying	D21/839
D1,029,169	S *	5/2024	Chen	D21/839
2006/0260666	A1 *	11/2006	Choi	E04H 15/50 135/94
2008/0066795	A1 *	3/2008	Sy-Facunda	E04H 15/50 135/145
2011/0073148	A1 *	3/2011	Choi	E04H 15/50 135/144
2015/0247339	A1 *	9/2015	Lee	E04H 15/50 135/145
2016/0207058	A1 *	7/2016	Mangum	B05B 9/0423
2016/0290002	A1 *	10/2016	Michaelis	E04H 15/32
2016/0348392	A1 *	12/2016	Jin	E04H 15/48
2020/0240167	A1 *	7/2020	Sun	E04H 15/48
2020/0299990	A1 *	9/2020	Choi	E04H 15/50
2023/0220699	A1 *	7/2023	Yuan	E04H 15/50 135/139

OTHER PUBLICATIONS

“Blue Mega Shade Pop-Up Canopy,” available at Home Depot; reviewed with images May 19, 2020; retrieved from Internet Jul. 30, 2024; <https://www.homedepot.com/p/Everbilt-12-ft-x-12-ft-Blue-Mega-Shade-Pop-Up-Canopy-with-Grey-Trim-NS-PUG-144-150D/310058366#overlay> (Year: 2020).*

“Recreational Grade Royal Blue Top Envoy Ez Up Instant Canopy Shelter Tent,” reviewed with images on Amazon Jul. 28, 2020; retrieved from Internet Jul. 30, 2024; https://www.amazon.com/Z-UP-Instant-Shelter-Canopy/dp/B07M93VS8Z/ref=asc_df_B07M93VS8Z/?tag=hyprod-20&linkCode=df0&hvadid=692875362841&hvpos=&hvn (Year: 2020).*

“Mastercanopy Pup Up Canopy Tent,” reviewed on Amazon Aug. 3, 2021; retrieved from Internet Jul. 30, 2024; <https://www.amazon.com/MASTERCANOPY-Canopy-Commercial-Instant-Canopies/dp/B07XSYDYHH?th=1> (Year: 2021).*

* cited by examiner

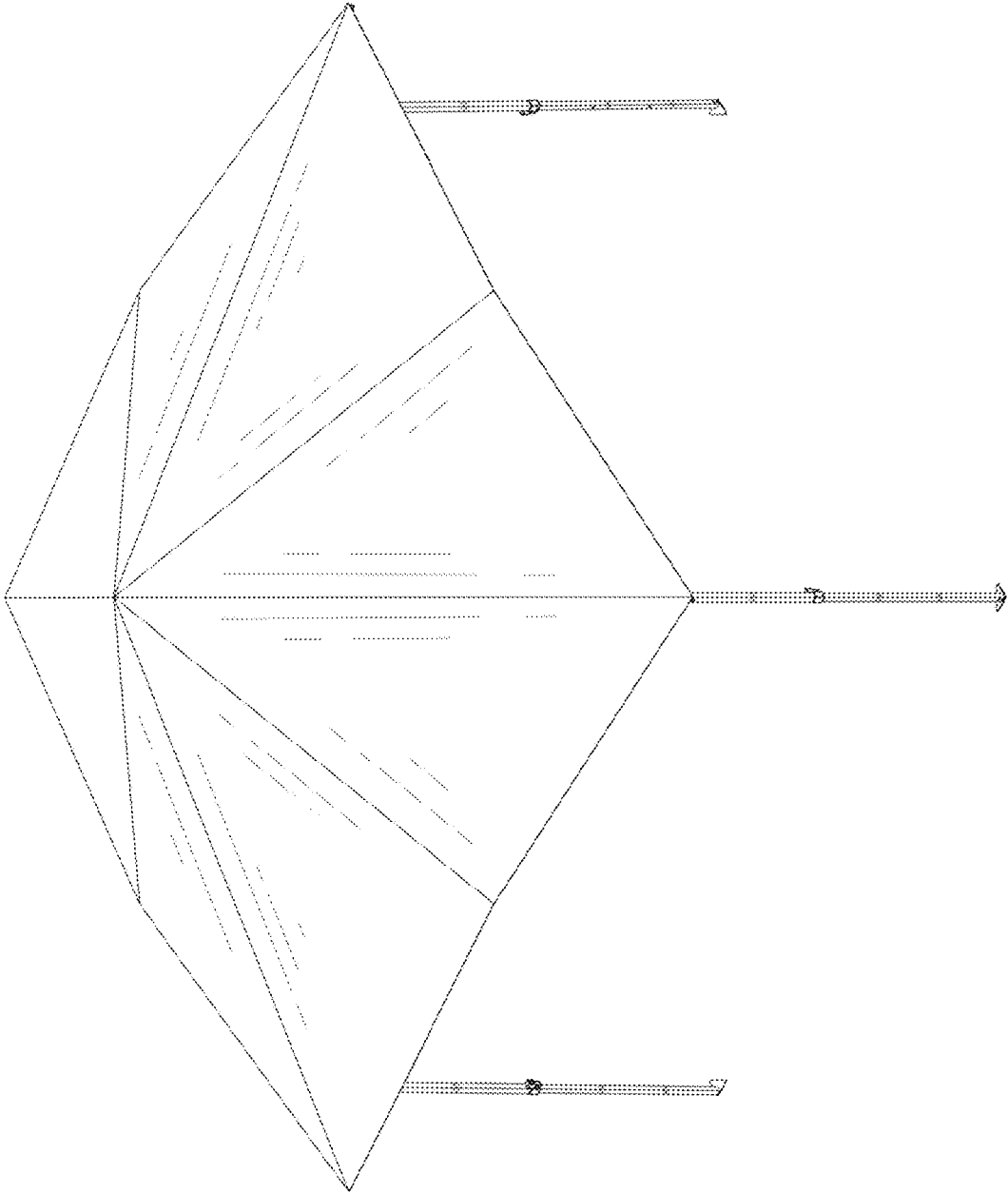


FIG. 1

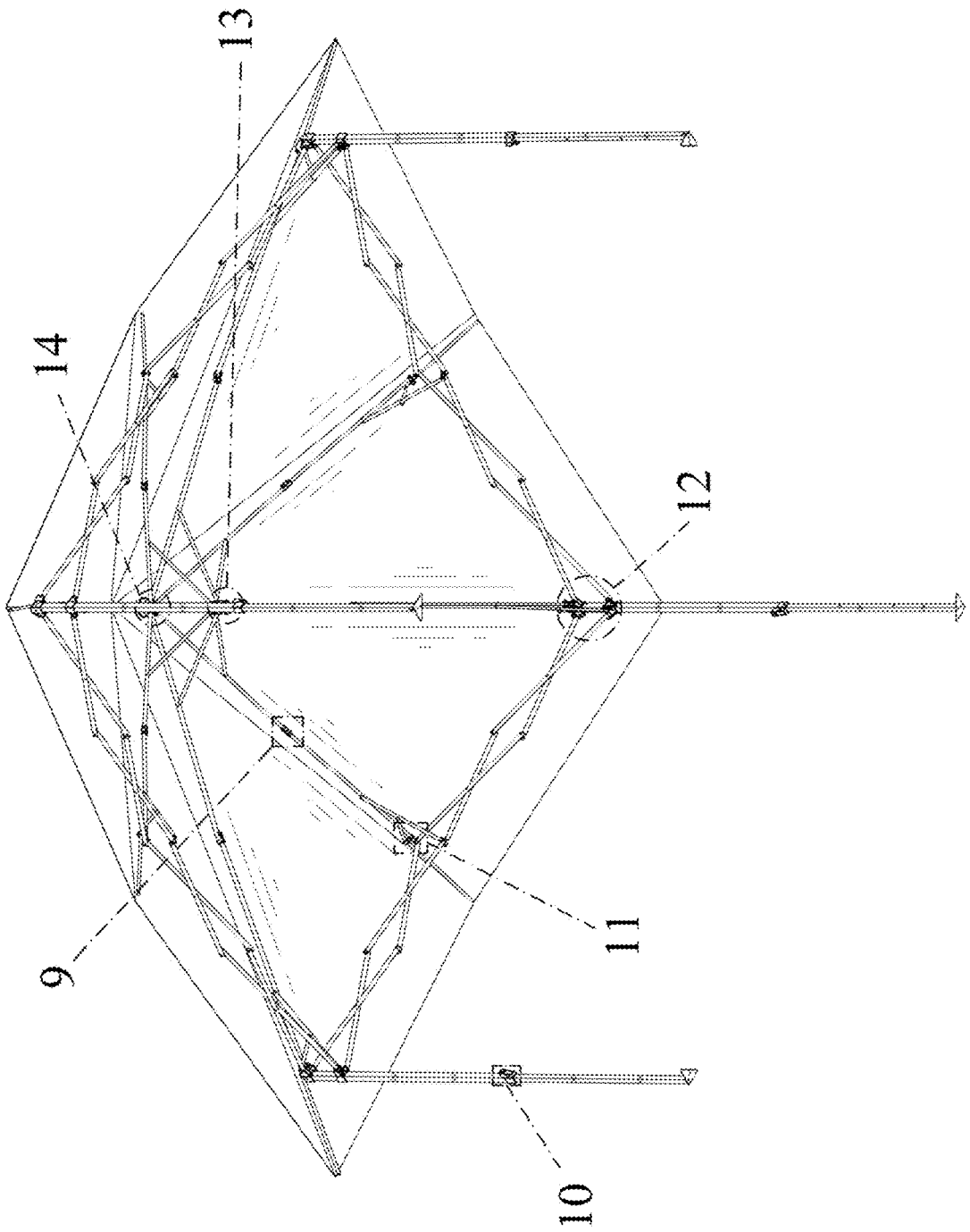


FIG. 2

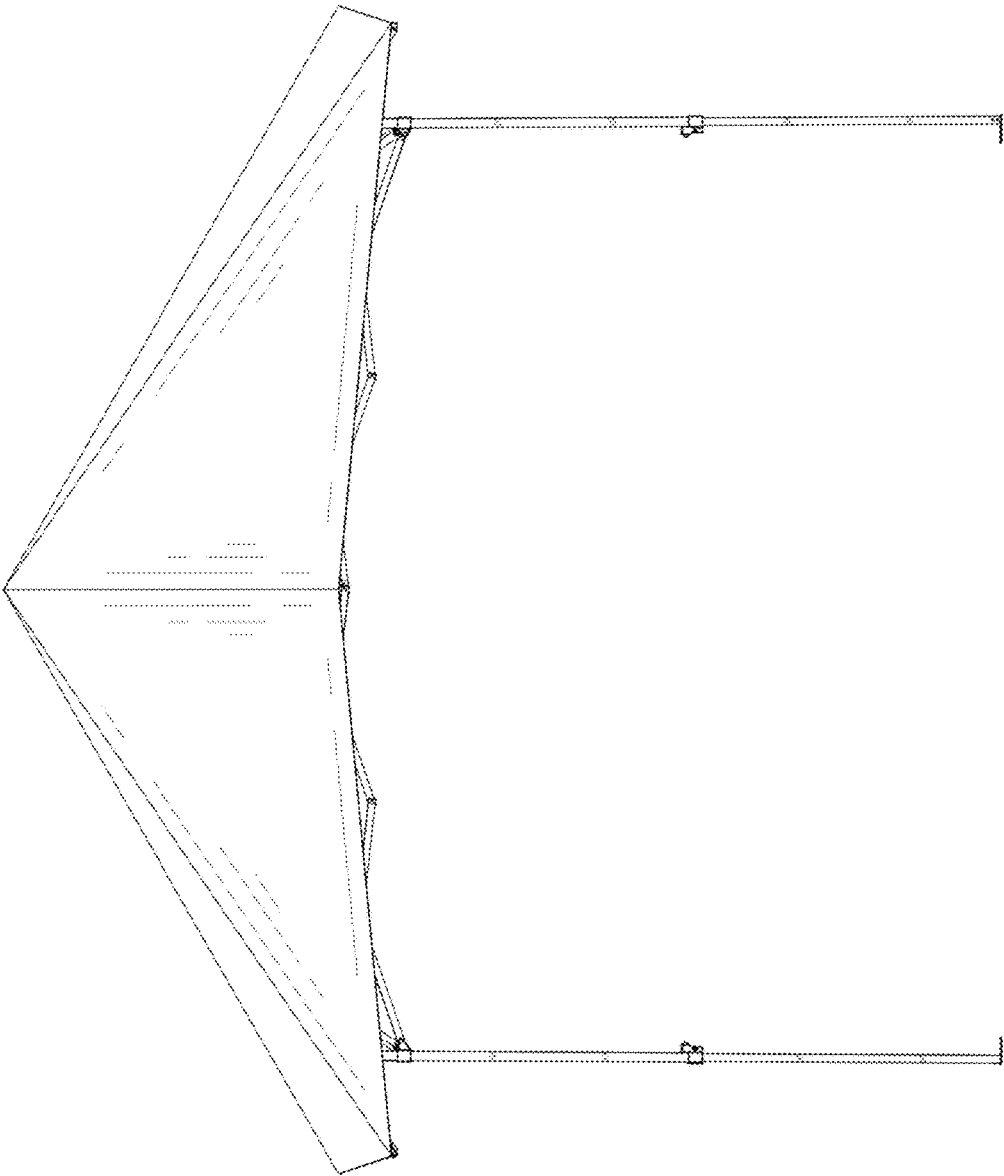


FIG. 3

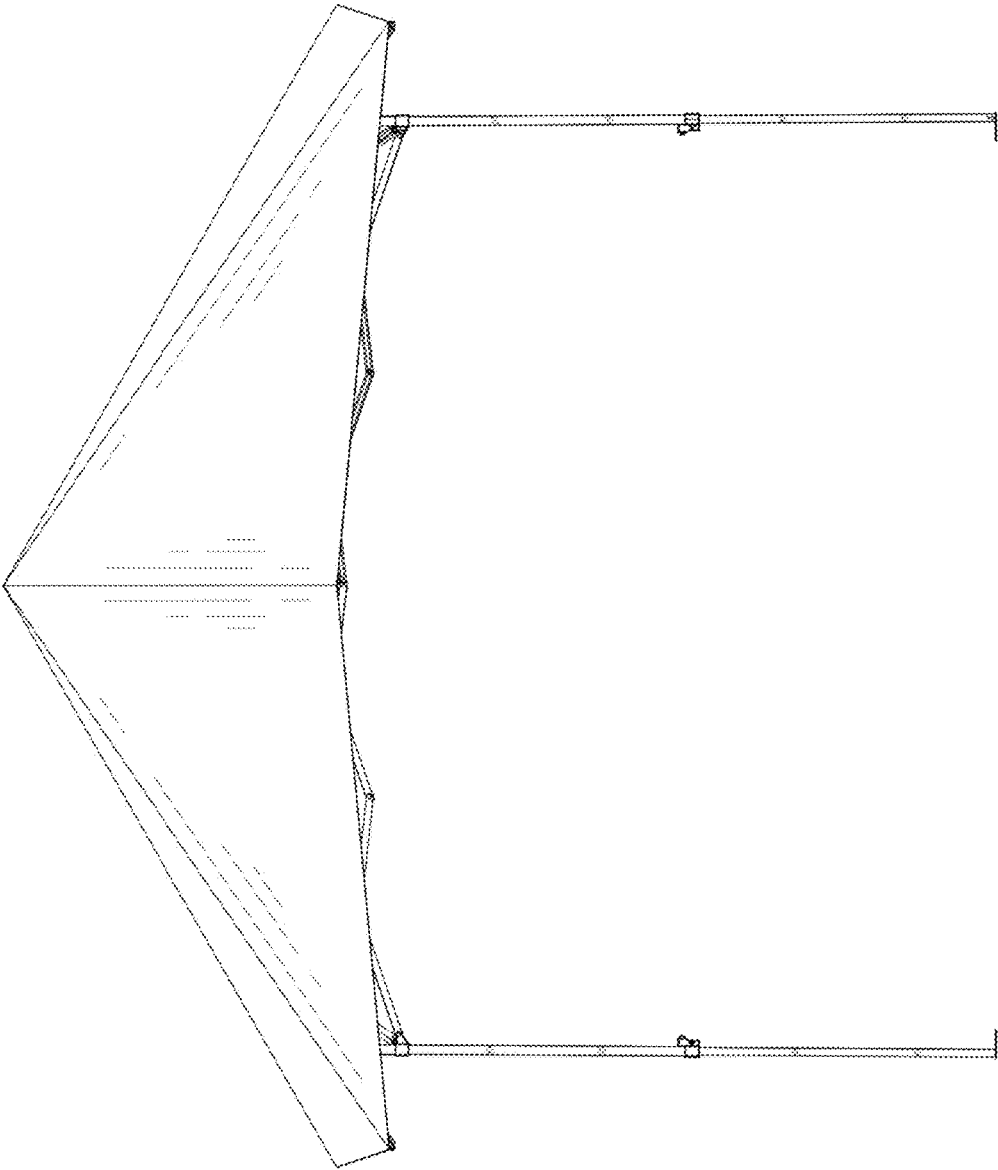


FIG. 4

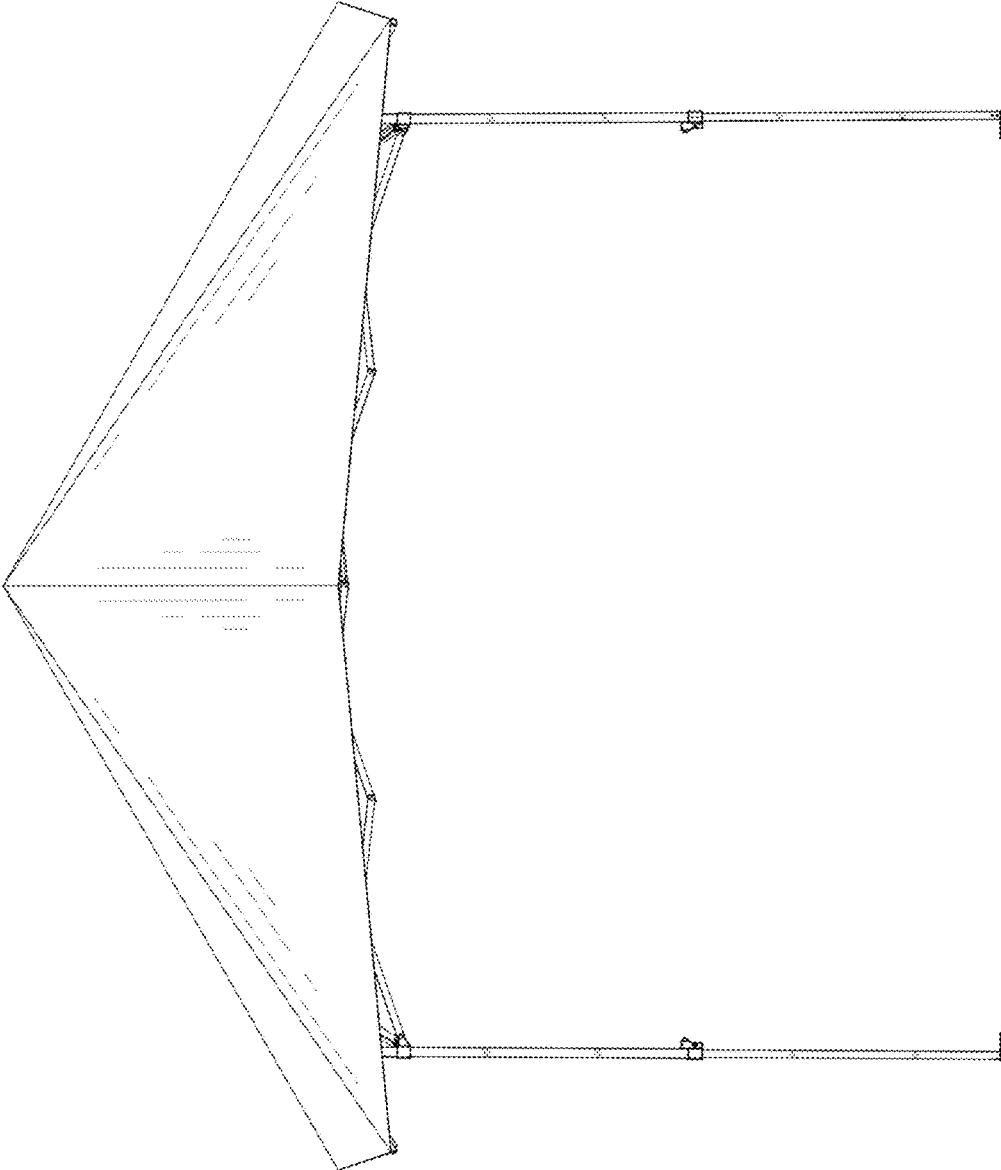


FIG. 5

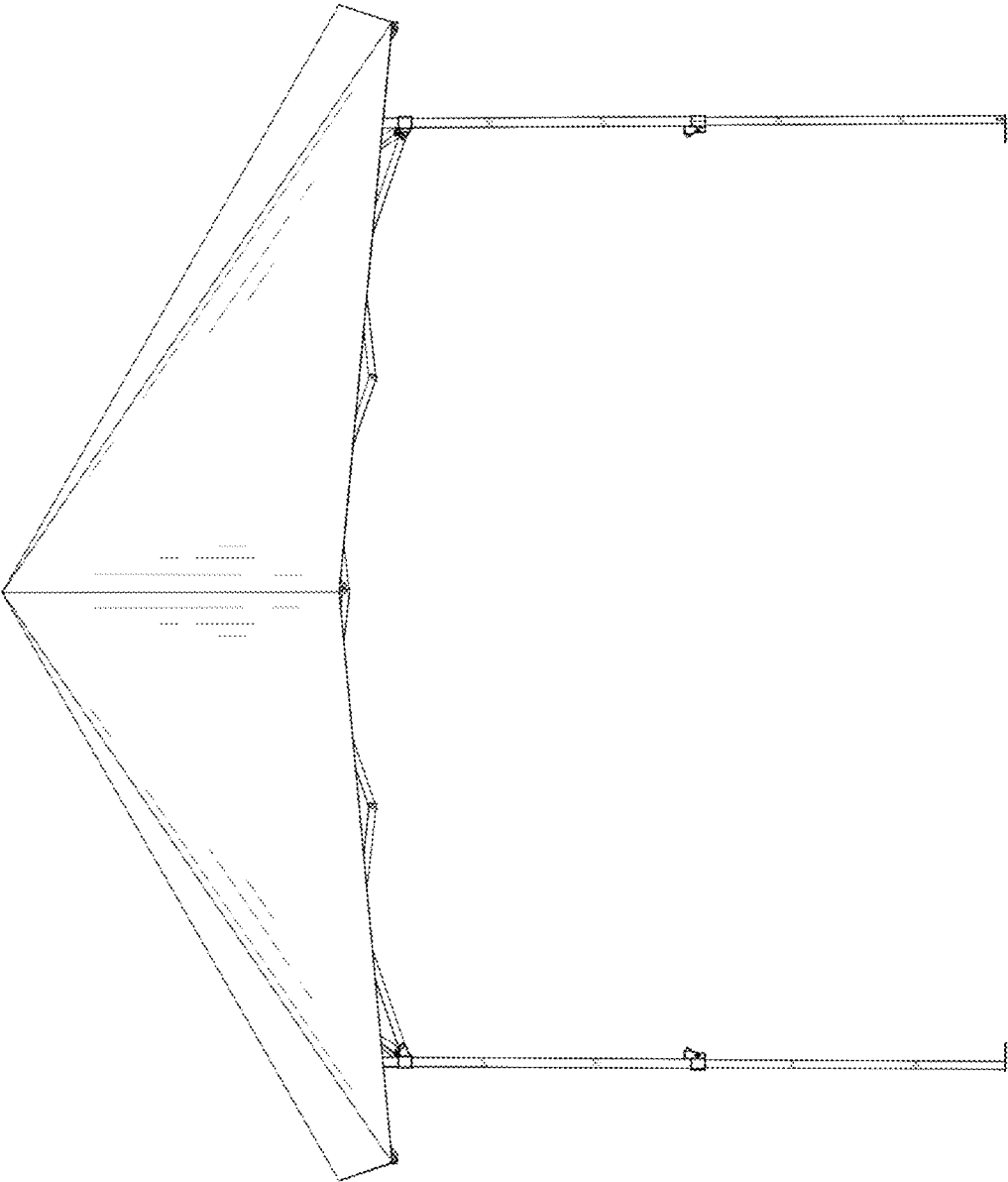


FIG. 6

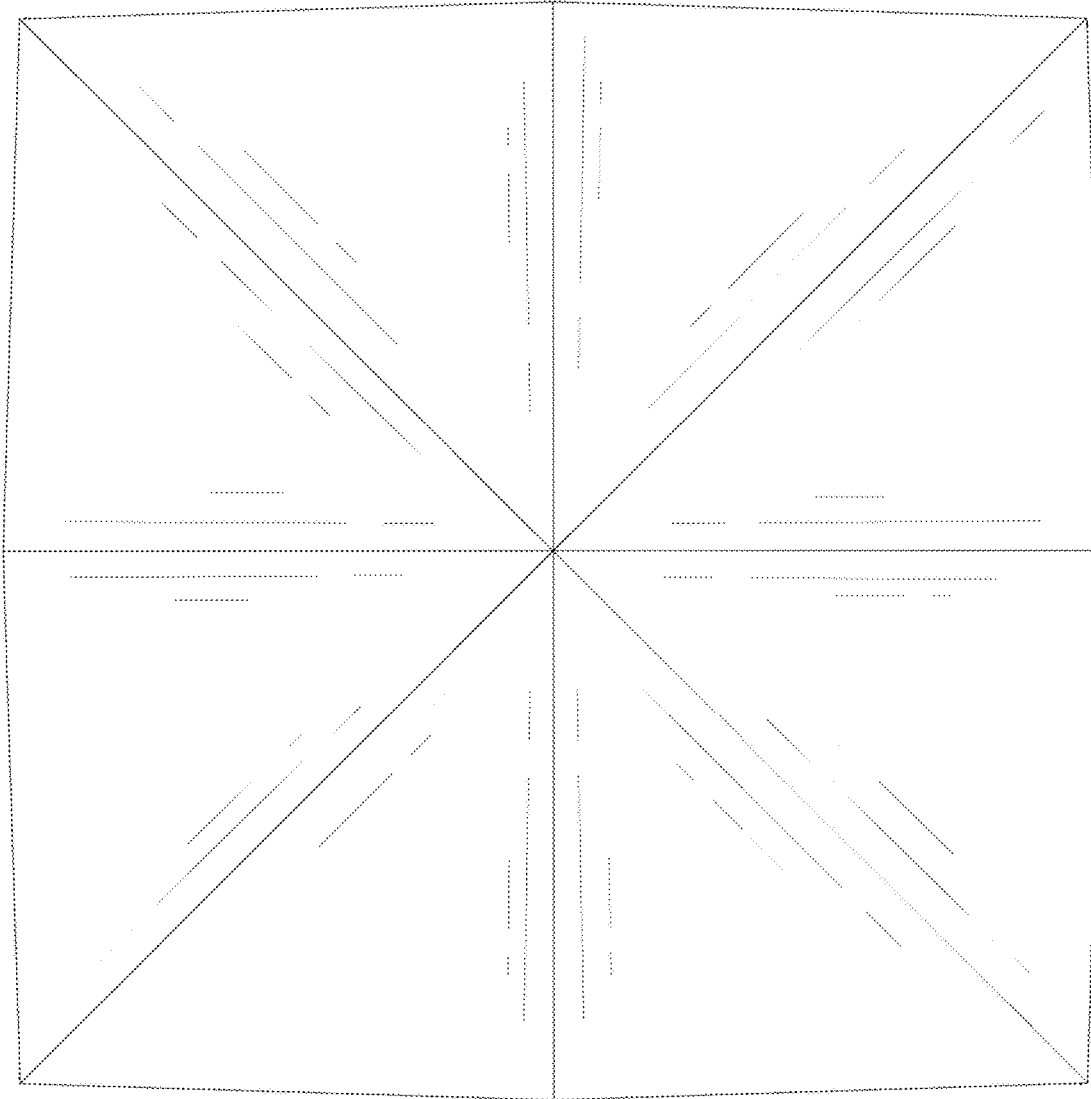


FIG. 7

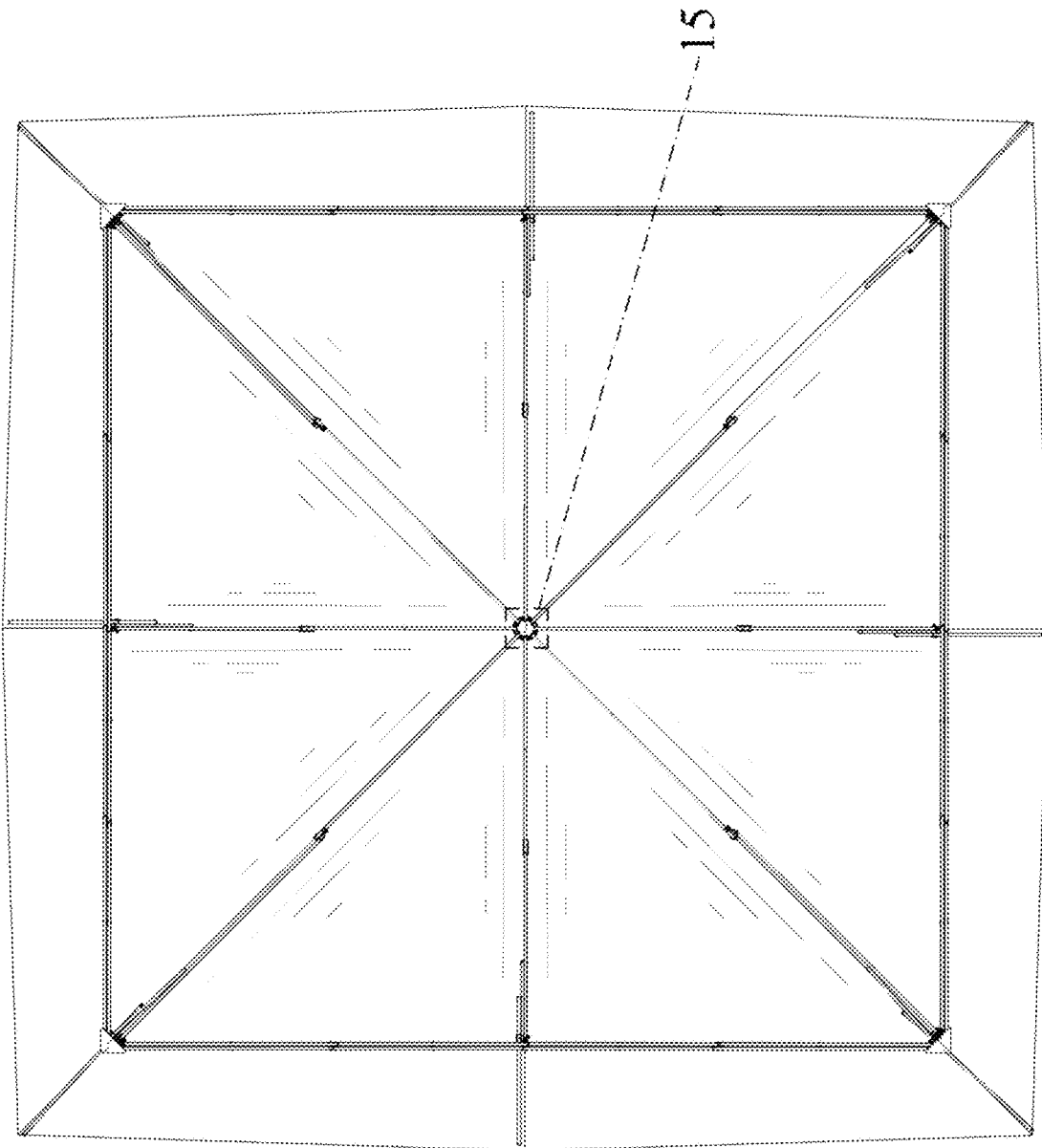


FIG. 8

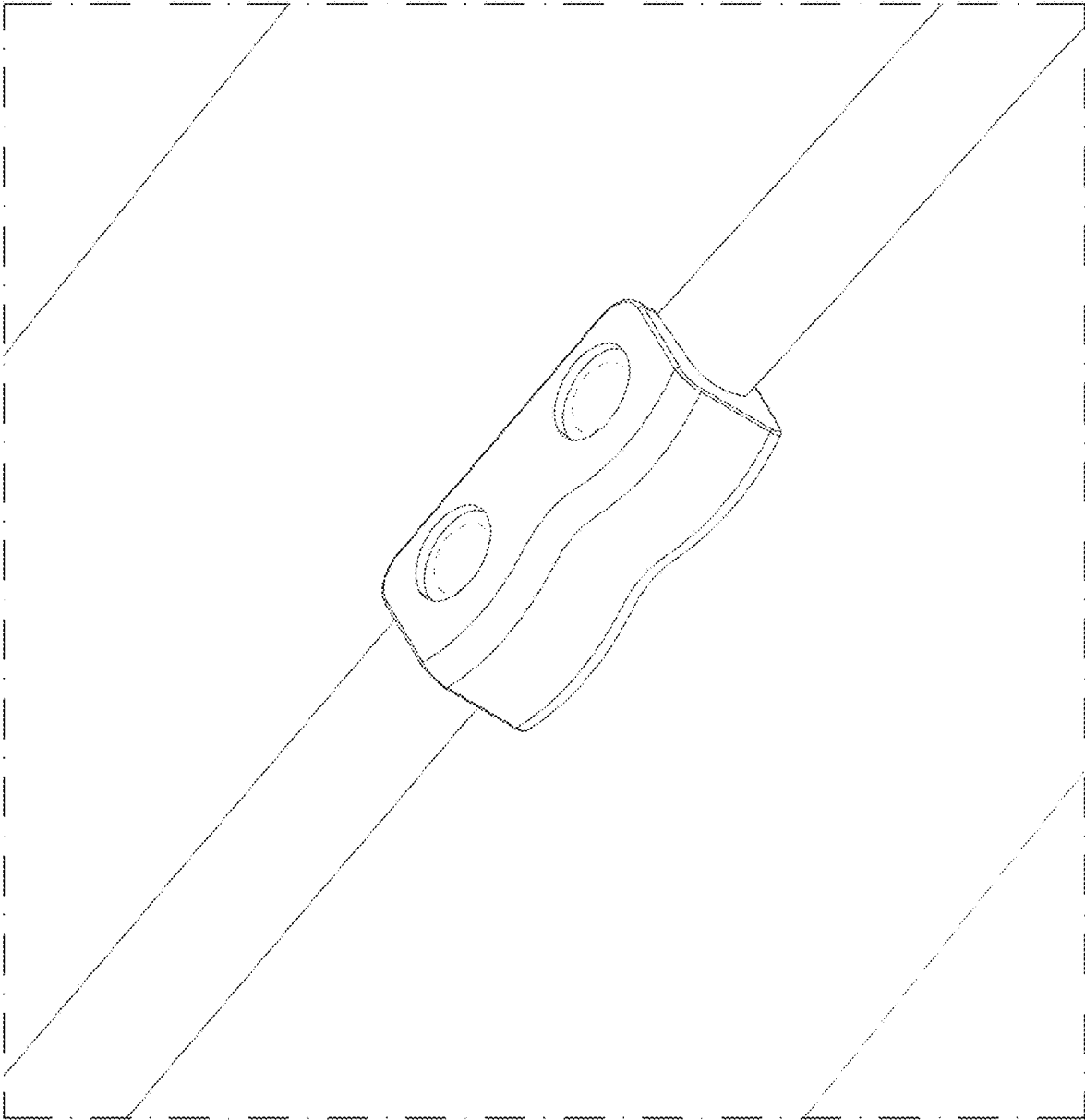


FIG. 9

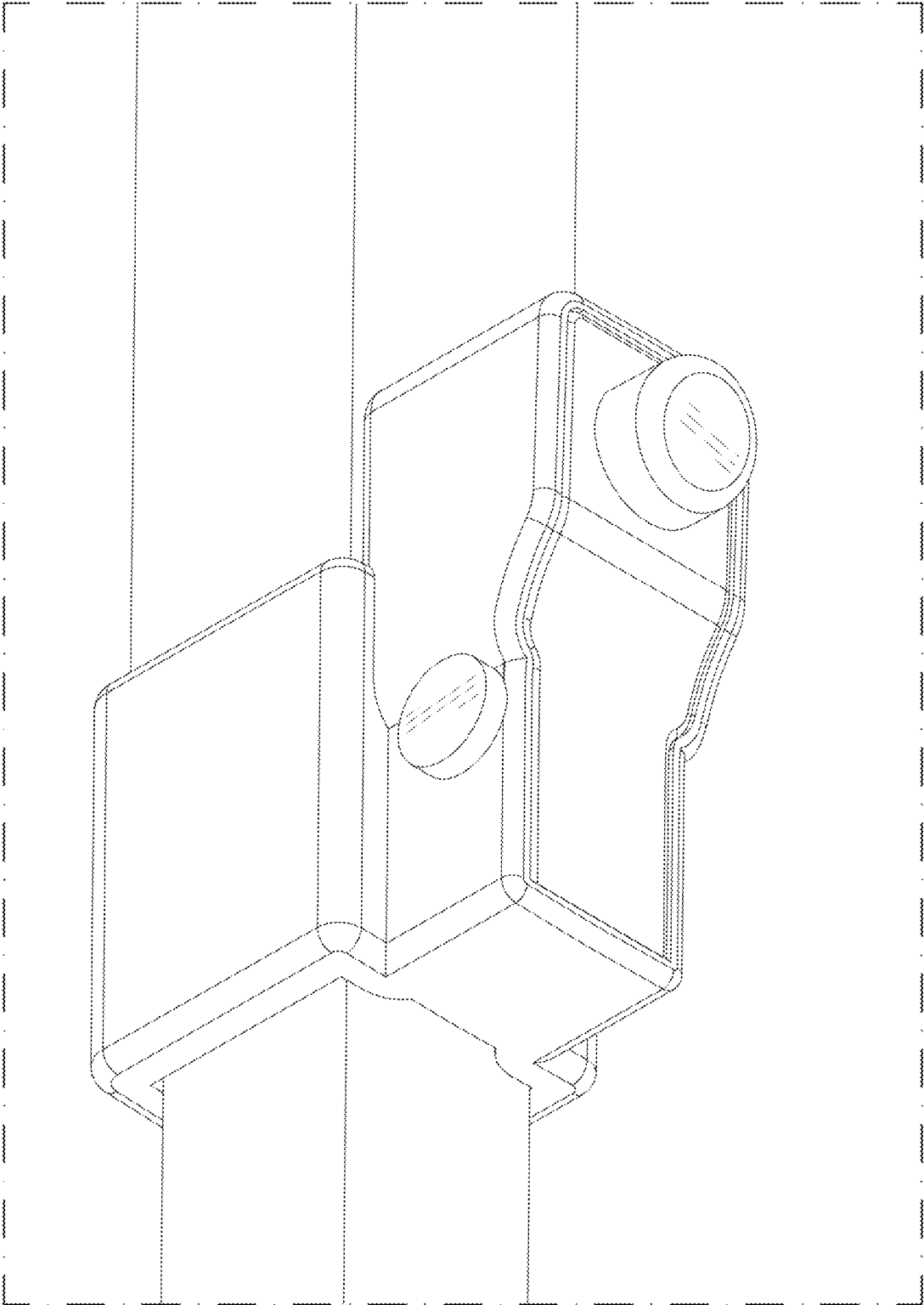


FIG. 10

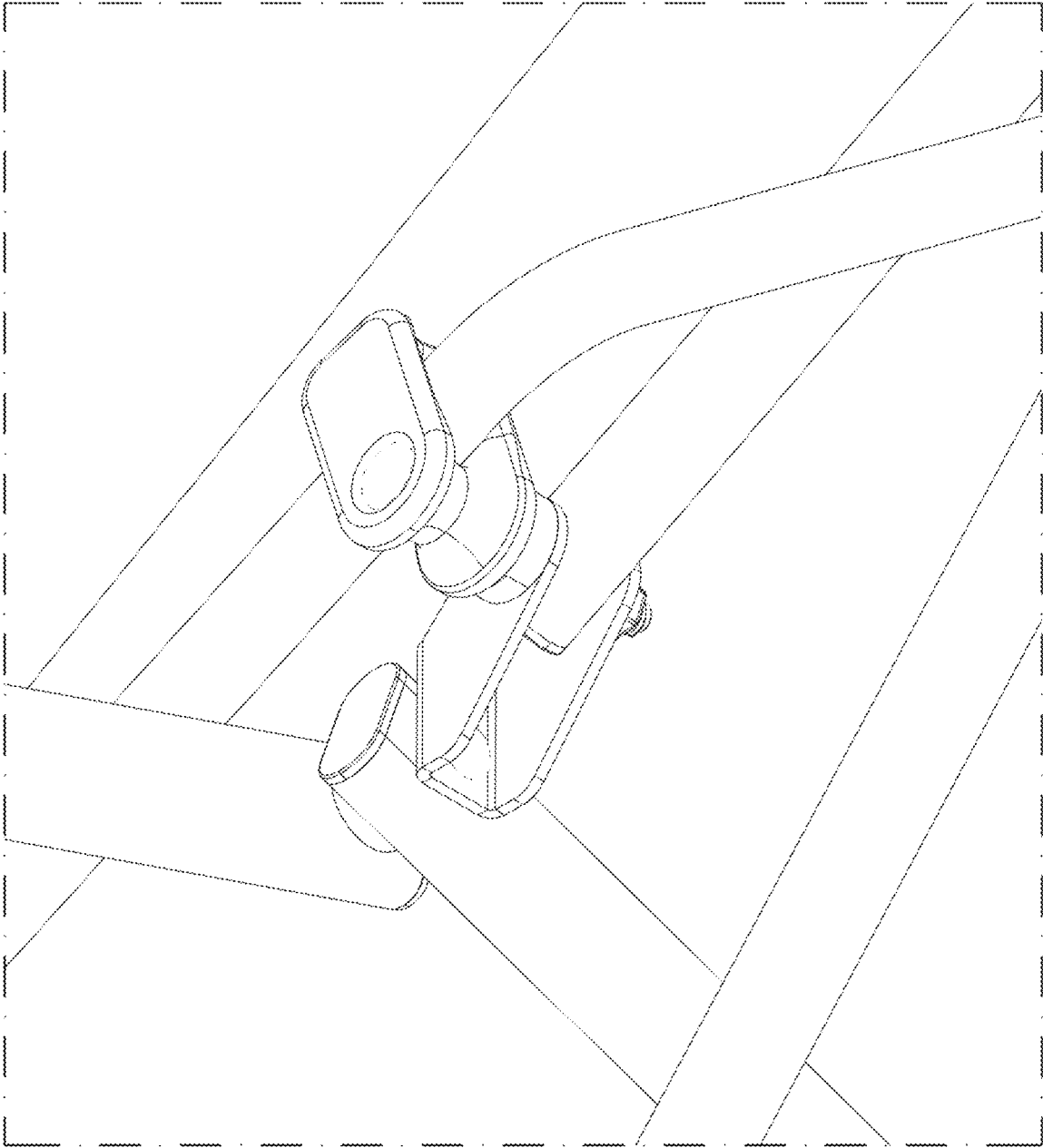


FIG. 11

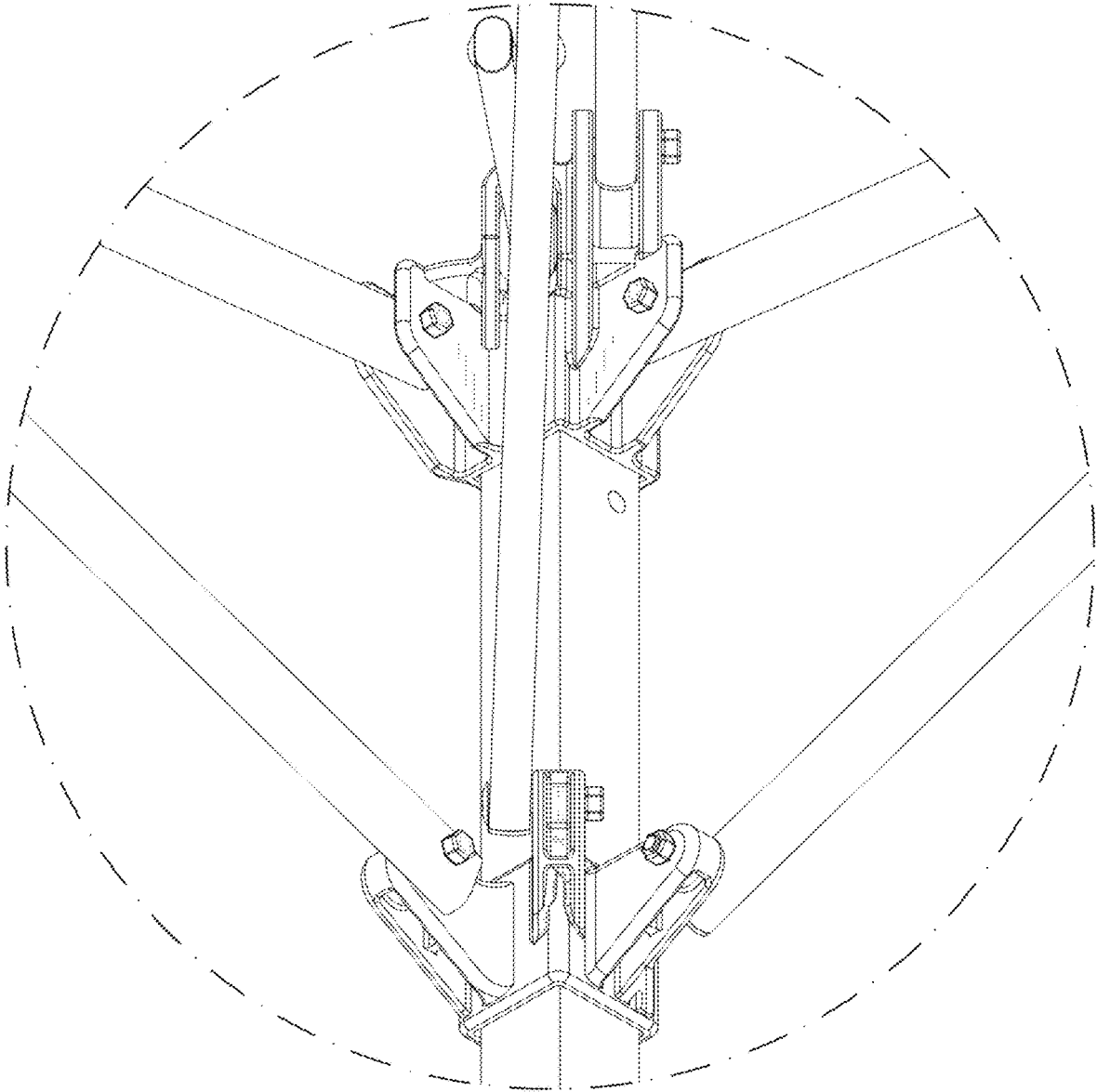


FIG. 12

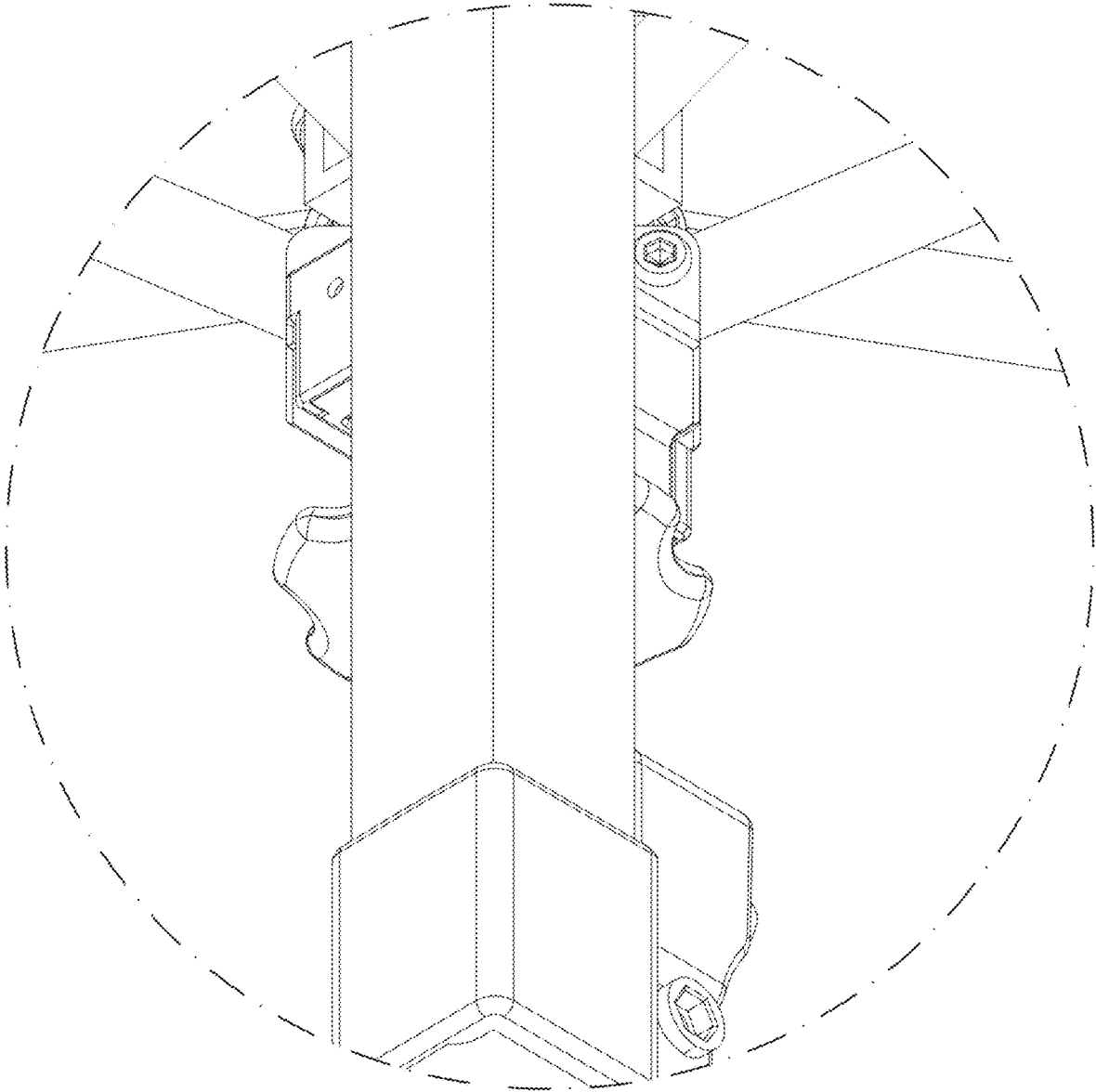


FIG. 13

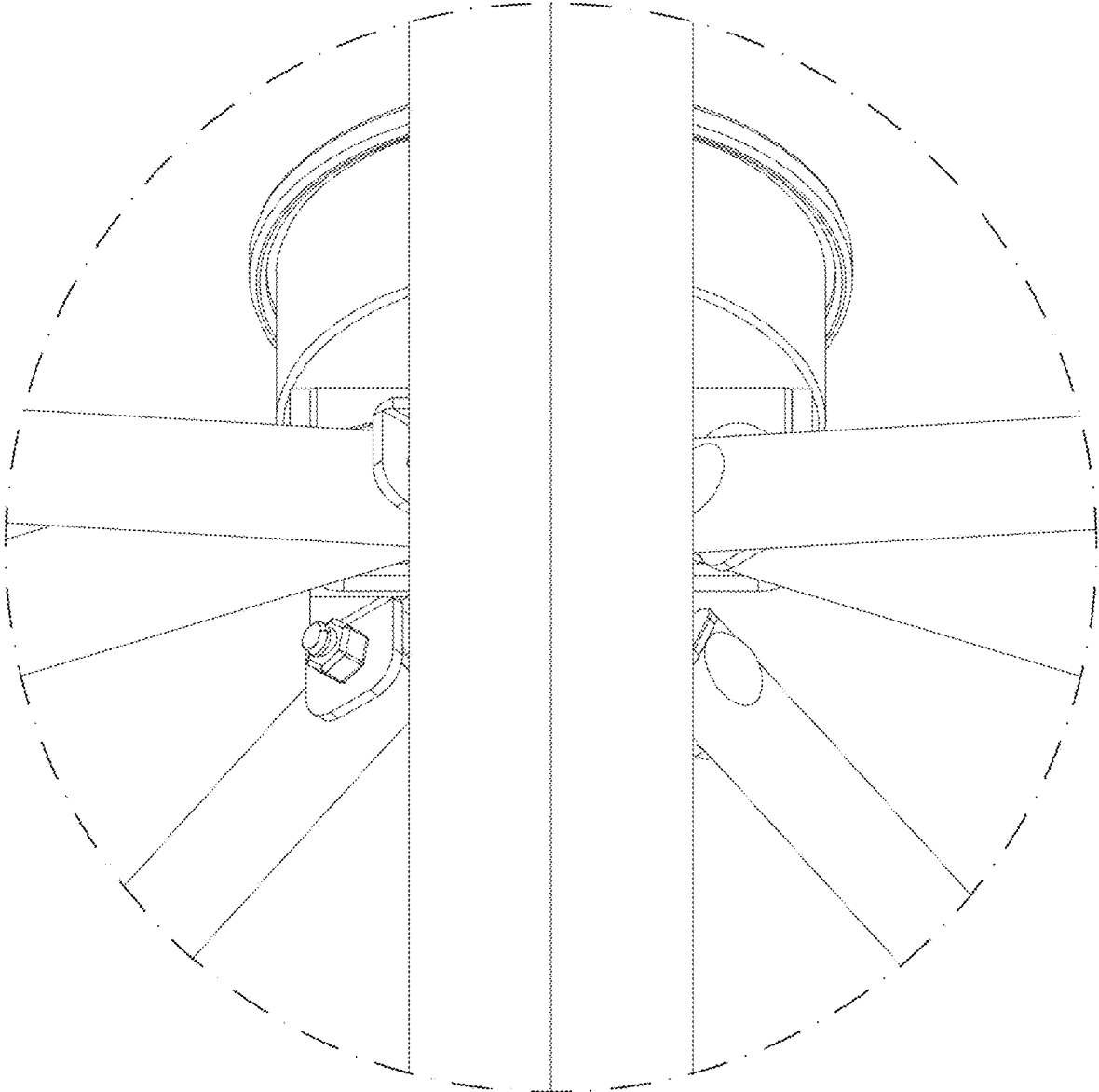


FIG. 14

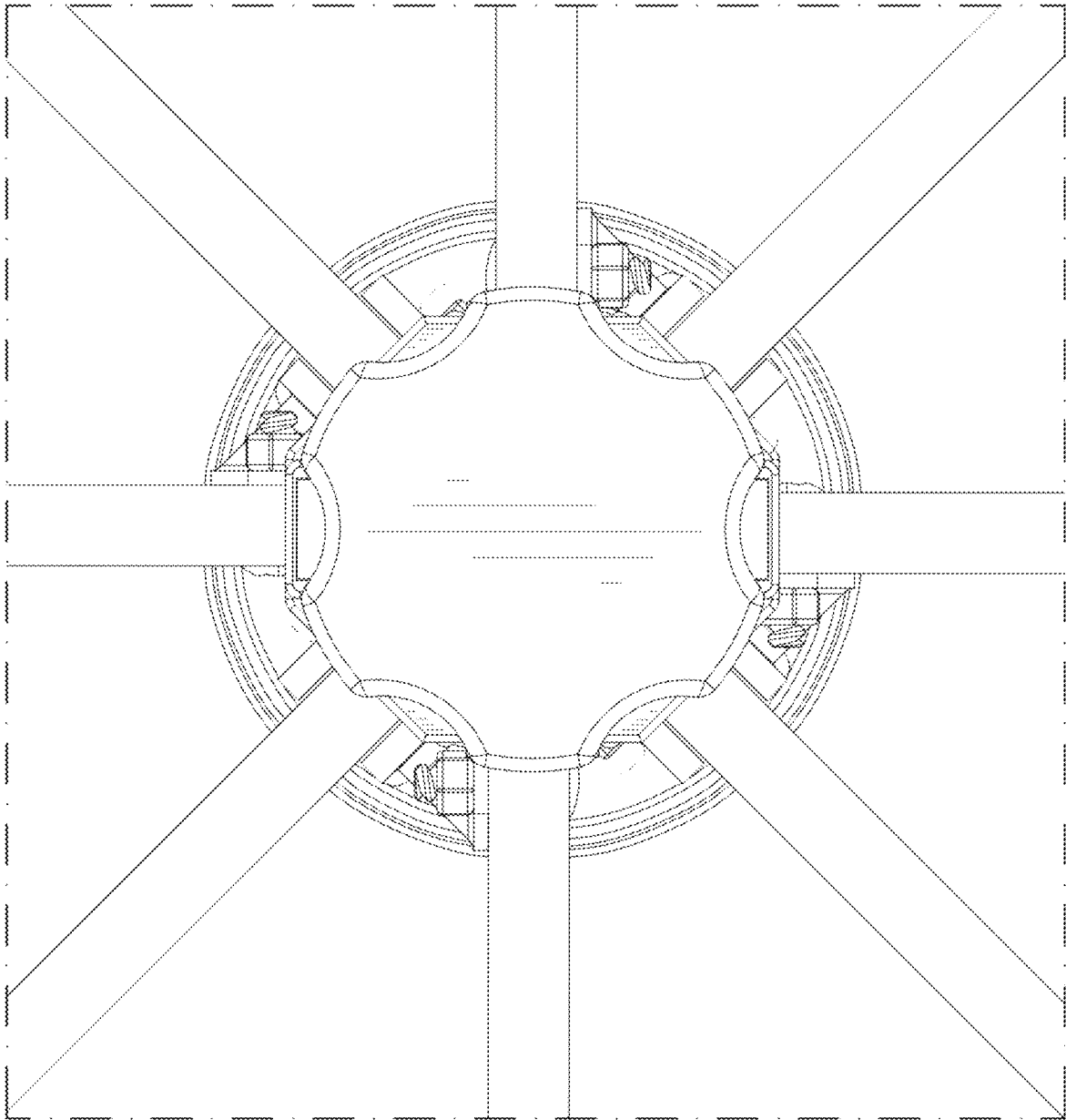


FIG. 15

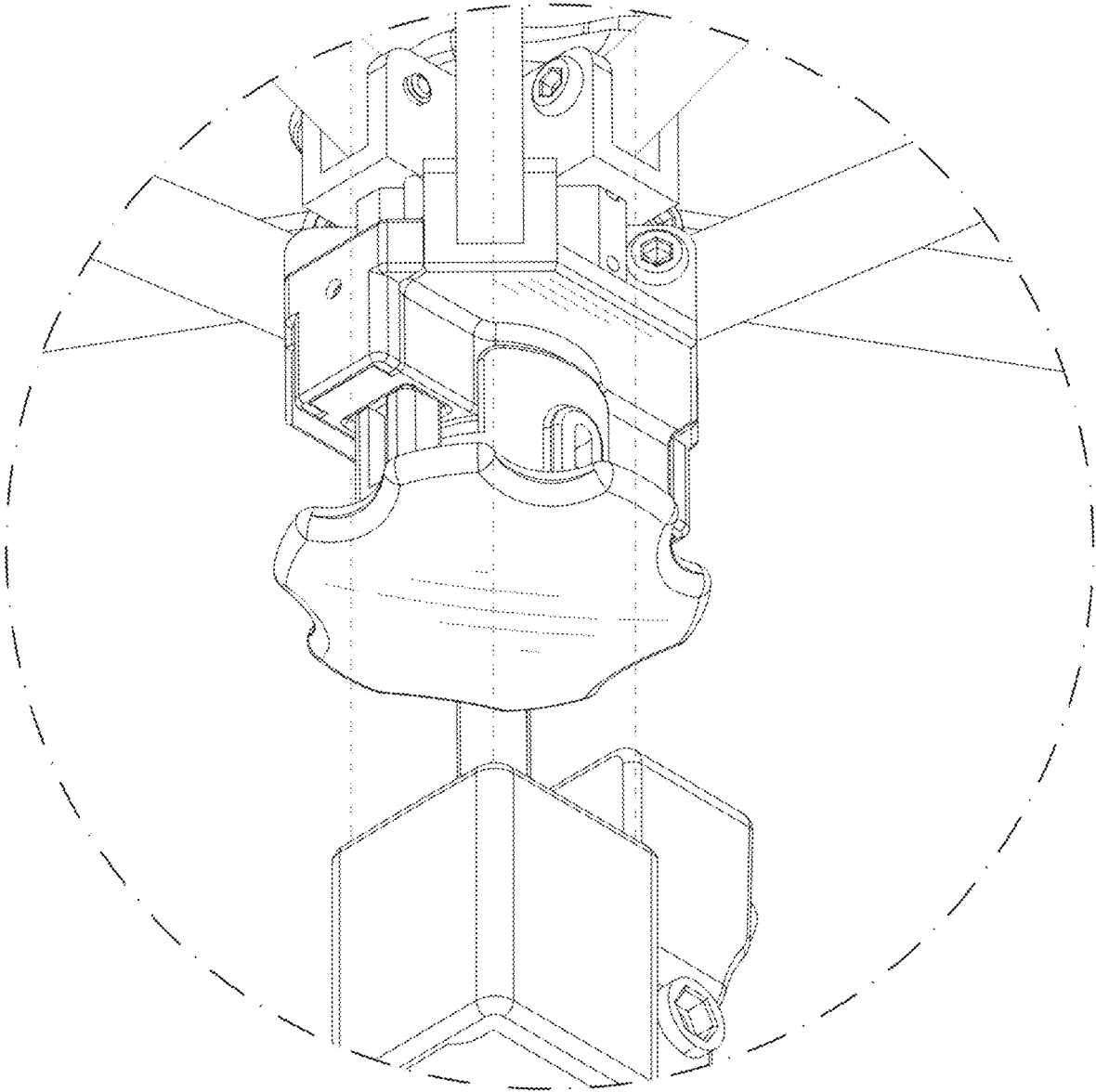


FIG. 16