

(12) **United States Design Patent** (10) **Patent No.:** **US D846,552 S**  
**Feng** (45) **Date of Patent:** **\*\* Apr. 23, 2019**

- (54) **ELECTRONIC PRODUCT PROTECTIVE CASE**
- (71) Applicant: **GUANGZHOU WENYI COMMUNICATION EQUIPMENT CO., LTD.**, Guangzhou (Guangdong Province) (CN)
- (72) Inventor: **Youru Feng**, Guangzhou (CN)
- (73) Assignee: **GUANGZHOU WENYI COMMUNICATION EQUIPMENT CO., LTD.**, Guangzhou (CN)
- (\*\*) Term: **15 Years**
- (21) Appl. No.: **29/619,055**
- (22) Filed: **Sep. 26, 2017**
- (51) **LOC (11) Cl.** ..... **14-02**
- (52) **U.S. Cl.**  
 USPC ..... **D14/440**
- (58) **Field of Classification Search**  
 USPC ..... D14/440; D8/440; 261/45.23, 320, 45.2;  
 361/679.55; 29/25; D3/218  
 (Continued)

- (56) **References Cited**  
 U.S. PATENT DOCUMENTS  
 D630,432 S \* 1/2011 Tennyson ..... D3/232  
 D667,831 S \* 9/2012 Stravitz ..... D14/447  
 (Continued)

*Primary Examiner* — Cynthia R Underwood  
 (74) *Attorney, Agent, or Firm* — Yong Chen

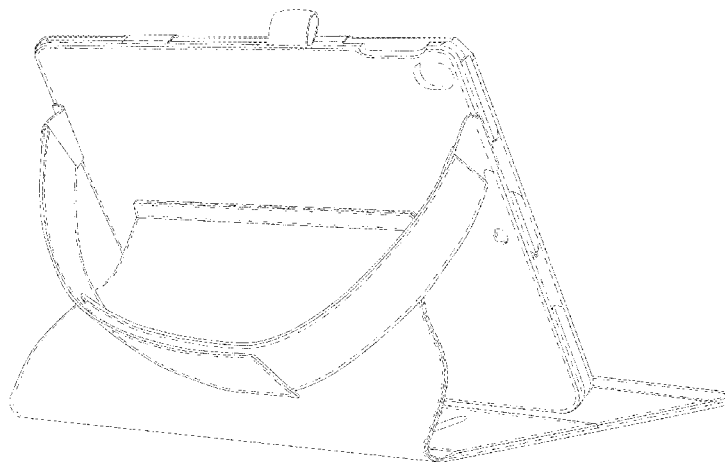
(57) **CLAIM**  
 The ornamental design for an electronic product protective case, as shown and described.

**DESCRIPTION**

FIG. 1 is a front view of an electronic product protective case of the present invention when the case is in a closed configuration.

FIG. 2 is a back view of the electronic product protective case shown in FIG. 1.  
 FIG. 3 is a left view of the electronic product protective case shown in FIG. 1.  
 FIG. 4 is a right view of the electronic product protective case shown in FIG. 1.  
 FIG. 5 is a top view of the electronic product protective case shown in FIG. 1.  
 FIG. 6 is a bottom view of the electronic product protective case shown in FIG. 1.  
 FIG. 7 is a view of the interior of the electronic product protective case of the present invention when the case is in an open, fully expanded configuration.  
 FIG. 8 is a perspective view of the electronic product protective case of the present invention when the case is in a deployed, self-standing configuration for supporting an electronic product to be viewed at a tilted angle.  
 FIG. 9 is another perspective view of the electronic product protective case of the present invention as shown in FIG. 8.  
 FIG. 10 is a front view of the electronic product protective case as shown in FIG. 8.  
 FIG. 11 is a back view of the electronic product protective case as shown in FIG. 8.  
 FIG. 12 is a left view of the electronic product protective case as shown in FIG. 8.  
 FIG. 13 is a right view of the electronic product protective case as shown in FIG. 8.  
 FIG. 14 is a top view of the electronic product protective case as shown in FIG. 8.  
 FIG. 15 is a bottom view of the electronic product protective case as shown in FIG. 8; and,  
 FIG. 16 is another perspective view of the electronic product protective case of the present invention as shown in FIG. 8 when a strap on the back of the case is in an expanded configuration.  
 The broken lines represent portions of the structure of the electronic product protective case that form no part of the claimed design.

**1 Claim, 14 Drawing Sheets**



(58) **Field of Classification Search**  
 CPC ..... G06F 1/628; G06F 1/626; H04B 1/3555;  
 H05K 5/0217  
 See application file for complete search history.

(56) **References Cited**

U.S. PATENT DOCUMENTS

D688,915 S \* 9/2013 Green ..... D3/215  
 D696,256 S \* 12/2013 Piedra ..... D14/440  
 D696,669 S \* 12/2013 Akana ..... D14/440  
 D700,611 S \* 3/2014 Boldetti ..... D14/440  
 D719,169 S \* 12/2014 McBroom ..... D14/440  
 8,905,231 B2 \* 12/2014 Couch, III ..... A45C 11/00  
 206/320  
 8,960,421 B1 \* 2/2015 Diebel ..... G06F 1/1679  
 206/320  
 D723,568 S \* 3/2015 Kim ..... D14/440  
 D724,090 S \* 3/2015 Kim ..... D14/440  
 D724,092 S \* 3/2015 Zangari ..... D14/440  
 D727,916 S \* 4/2015 Melmon ..... D14/440  
 D727,919 S \* 4/2015 Melmon ..... D14/440  
 D729,253 S \* 5/2015 Nyholm ..... D14/440  
 D733,152 S \* 6/2015 Sirichai ..... D14/440  
 D734,340 S \* 7/2015 Kim ..... D14/440  
 9,095,194 B2 \* 8/2015 Hassett ..... A45C 11/00  
 D744,489 S \* 12/2015 Sirichai ..... D14/440  
 D744,492 S \* 12/2015 Lin ..... G06F 1/1632  
 D14/440  
 D753,648 S \* 4/2016 Shyu ..... D14/315  
 D754,666 S \* 4/2016 Tiffen ..... D14/440  
 9,307,062 B2 \* 4/2016 Kim ..... H04M 1/04  
 D764,472 S \* 8/2016 Corcoran ..... D14/440  
 D772,880 S \* 11/2016 Corcoran ..... D14/440  
 9,489,054 B1 \* 11/2016 Sumsion ..... G06F 3/0208  
 D773,470 S \* 12/2016 Akana ..... D14/440  
 D779,485 S \* 2/2017 Akana ..... D14/345  
 9,578,941 B2 \* 2/2017 MacLachlan ..... F16M 11/38  
 D789,342 S \* 6/2017 Sirichai ..... D14/250  
 D792,887 S \* 7/2017 Zhang ..... D14/440  
 9,717,314 B2 \* 8/2017 Idehara ..... A45C 11/00  
 D807,363 S \* 1/2018 Hallier ..... D14/440  
 D807,365 S \* 1/2018 Liu ..... D14/440  
 D807,892 S \* 1/2018 Wang ..... D14/440  
 D808,394 S \* 1/2018 Lakraa ..... D14/440  
 D808,395 S \* 1/2018 Fenton ..... D14/440  
 D811,390 S \* 2/2018 Kim ..... D14/345  
 D811,411 S \* 2/2018 Moore ..... D14/440  
 D818,263 S \* 5/2018 Broadhurst ..... D3/218  
 D819,038 S \* 5/2018 Diebel ..... D14/440  
 D820,839 S \* 6/2018 Akana ..... D14/345

D822,675 S \* 7/2018 Zhu ..... D14/455  
 D835,624 S \* 12/2018 Li ..... D14/440  
 2007/0057140 A1 \* 3/2007 Liou ..... F16M 11/10  
 248/456  
 2008/0029412 A1 \* 2/2008 Ho ..... A47B 21/0314  
 206/320  
 2008/0167095 A1 \* 7/2008 Kim ..... H04M 1/0216  
 455/575.3  
 2009/0159763 A1 \* 6/2009 Kim ..... F16M 13/00  
 248/174  
 2009/0178938 A1 \* 7/2009 Palmer ..... A45C 5/03  
 206/45.23  
 2009/0194209 A1 \* 8/2009 De Filippis ..... A45C 11/00  
 150/107  
 2009/0201254 A1 \* 8/2009 Rais ..... G06F 1/1613  
 345/168  
 2010/0294909 A1 \* 11/2010 Hauser ..... A47B 23/043  
 248/456  
 2010/0300909 A1 \* 12/2010 Hung ..... H04M 1/04  
 206/320  
 2011/0227463 A1 \* 9/2011 Hou ..... A45C 9/00  
 312/223.1  
 2011/0266194 A1 \* 11/2011 Bau ..... A45C 11/00  
 206/736  
 2011/0290687 A1 \* 12/2011 Han ..... A45C 3/02  
 206/320  
 2011/0297566 A1 \* 12/2011 Gallagher ..... F16M 11/105  
 206/320  
 2012/0140396 A1 \* 6/2012 Zeliff ..... G06F 1/1628  
 361/679.09  
 2013/0140194 A1 \* 6/2013 Han ..... G06F 1/1656  
 206/45.23  
 2013/0233762 A1 \* 9/2013 Balaji ..... B65D 25/00  
 206/736  
 2013/0264459 A1 \* 10/2013 McCosh ..... G06F 1/1626  
 248/688  
 2014/0291175 A1 \* 10/2014 Chung ..... G06F 1/1656  
 206/45.23  
 2015/0296060 A1 \* 10/2015 Gu ..... H04M 1/0235  
 455/575.4  
 2015/0296068 A1 \* 10/2015 Chin ..... G06F 1/1628  
 455/575.8  
 2016/0011628 A1 \* 1/2016 Sato ..... G06F 1/1656  
 361/679.3  
 2016/0120280 A1 \* 5/2016 Dingler ..... A45C 3/02  
 224/608  
 2016/0187937 A1 \* 6/2016 Ahee ..... G06F 1/1681  
 361/679.09

\* cited by examiner

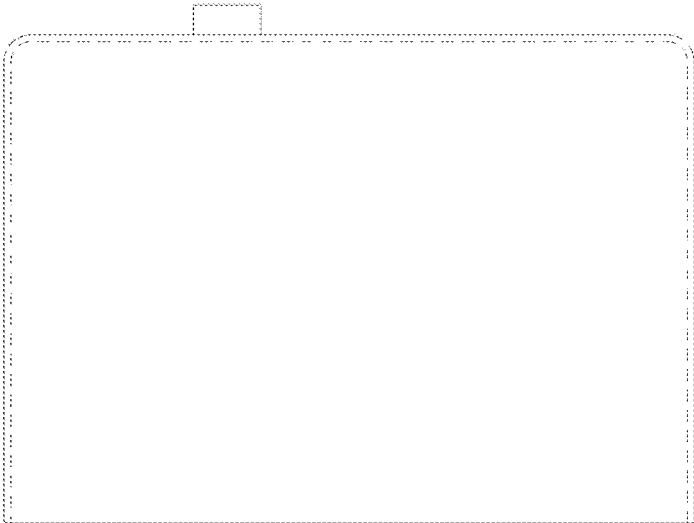


FIG. 1

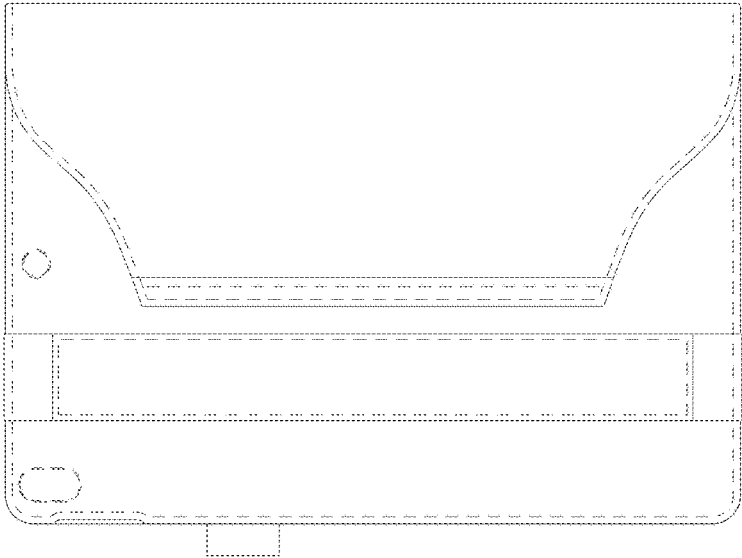


FIG. 2



FIG.4



FIG.3



FIG. 5



FIG. 6

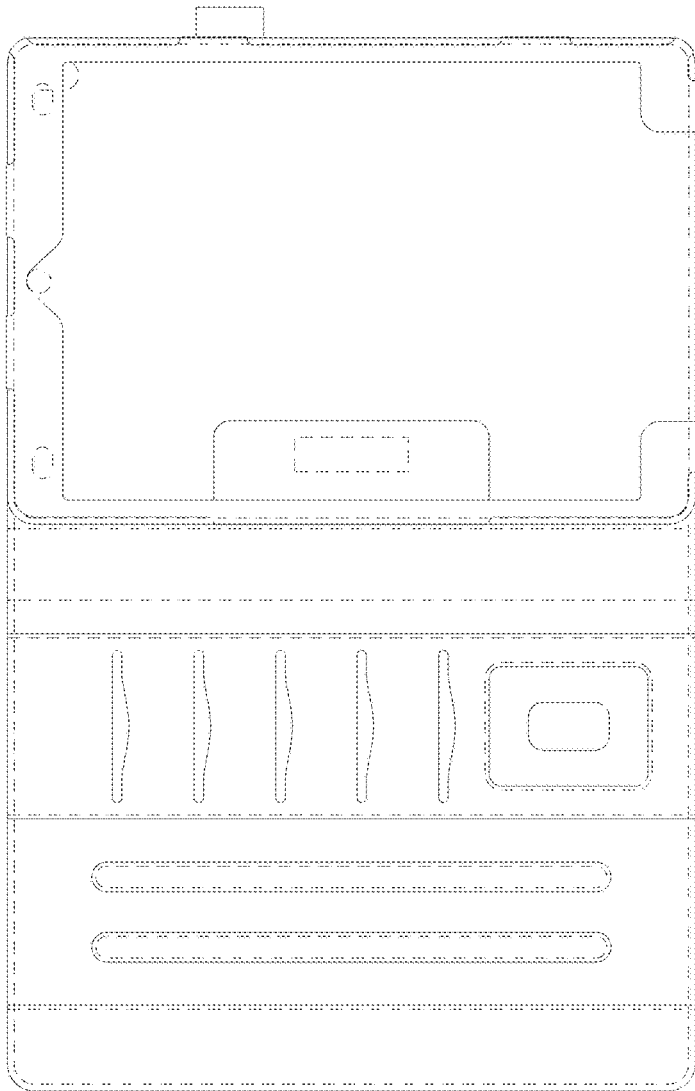


FIG. 7

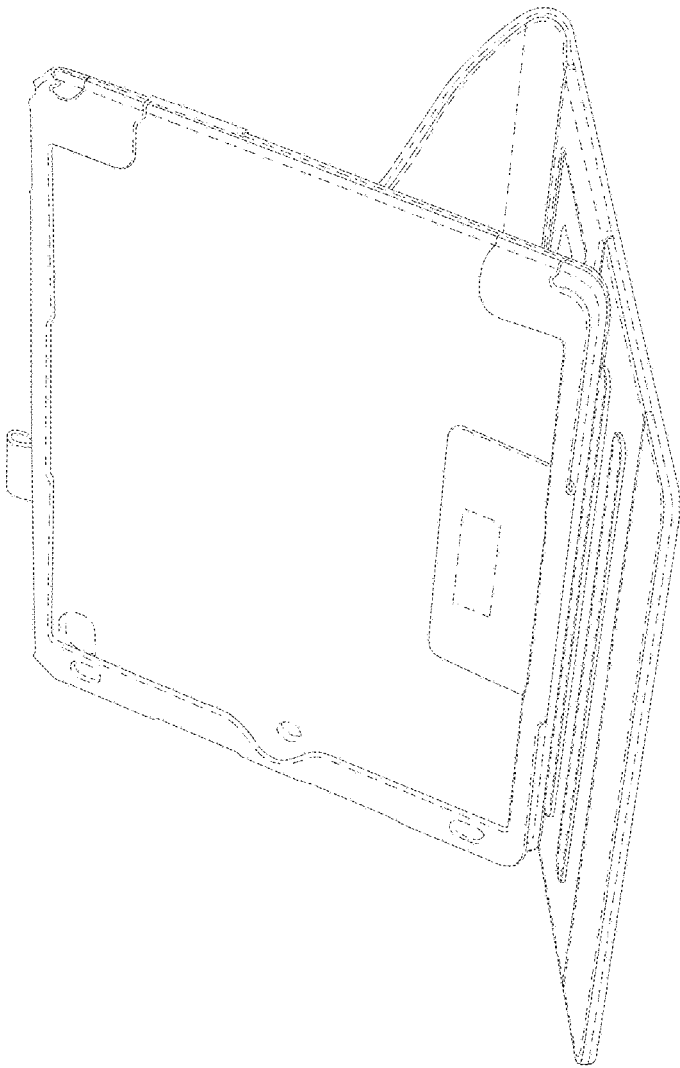


FIG. 8



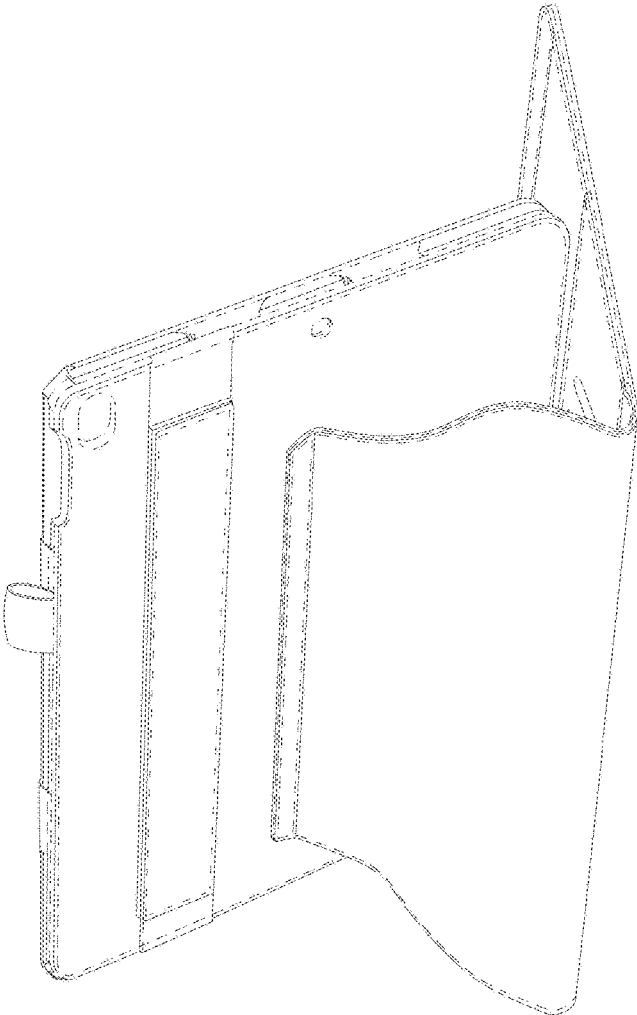


FIG. 9

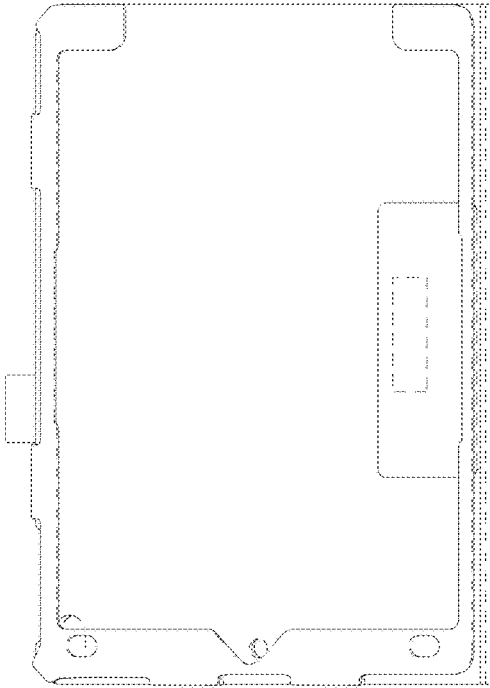


FIG.10

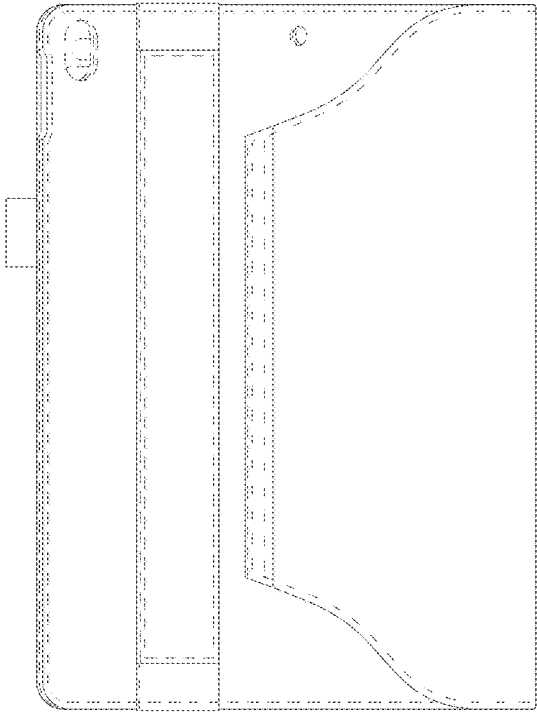


FIG. 11

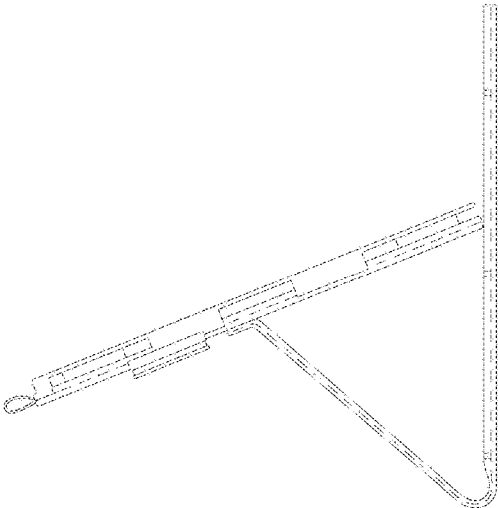


FIG.12

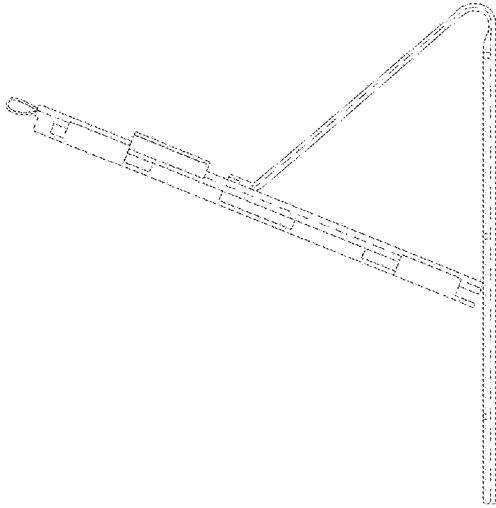


FIG. 13

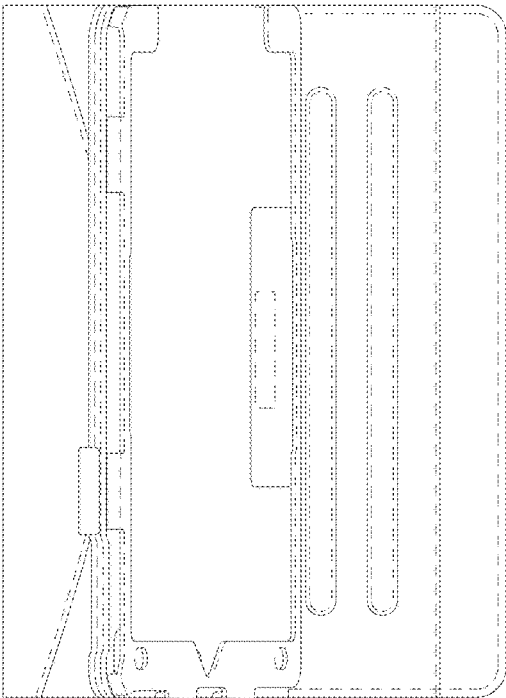


FIG. 14

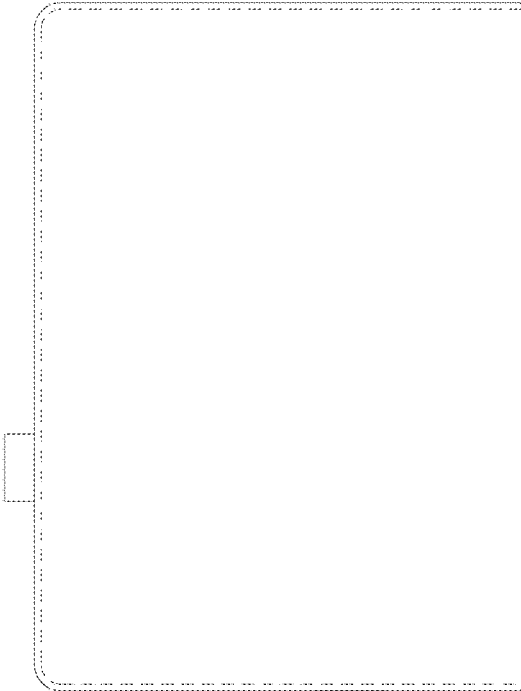


FIG. 15

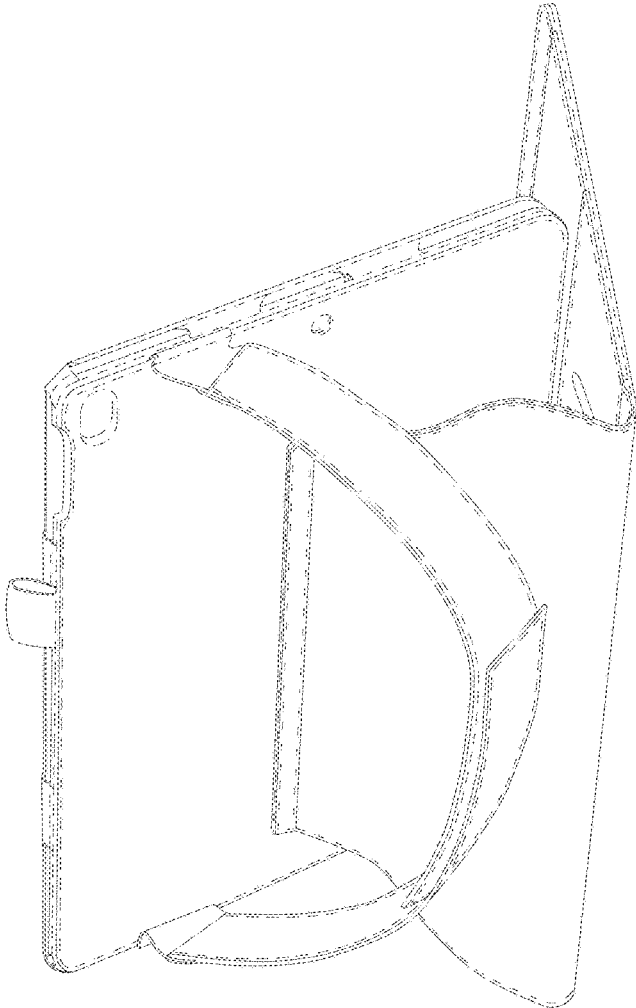


FIG.16