



US00D738199S

(12) **United States Design Patent**
Daniels

(10) **Patent No.:** **US D738,199 S**

(45) **Date of Patent:** **** Sep. 8, 2015**

(54) **PICTURE HANGING SCREW**
(71) Applicant: **LIBERTY HARDWARE MFG. CORP.**, Winston-Salem, NC (US)
(72) Inventor: **James Leroy Daniels**, Stokesdale, NC (US)
(73) Assignee: **Liberty Hardware Mfg. Corp.**, Winston-Salem, NC (US)
(**) Term: **14 Years**

5,833,415 A * 11/1998 McSherry 411/31
6,264,677 B1 * 7/2001 Simon et al. 606/232
6,419,436 B1 7/2002 Gaudron
6,457,926 B1 10/2002 Pope
6,846,142 B2 * 1/2005 Gens 411/411
D549,088 S * 8/2007 Gallien D8/387
D552,976 S * 10/2007 Gaudron D8/387
D567,074 S 4/2008 Gallien
D602,161 S * 10/2009 Yazdi D24/156
7,713,013 B2 5/2010 Sedgwick et al.
D642,900 S * 8/2011 McDuff et al. D8/385
D649,030 S * 11/2011 Austin, III D8/387
8,985,061 B2 * 3/2015 Royals 119/786
2007/0183866 A1 8/2007 Gallien
2010/0239386 A1 * 9/2010 Sedgwick et al. 411/402

(21) Appl. No.: **29/482,333**
(22) Filed: **Feb. 18, 2014**
(51) **LOC (10) Cl.** **08-08**
(52) **U.S. Cl.**
USPC **D8/387**
(58) **Field of Classification Search**
USPC D8/349, 354, 382, 385, 388, 387, 499
CPC F16B 37/00; F16B 23/00; F16B 23/0007;
F16B 23/0076; F16B 33/00; F16B 33/002;
F16B 33/02; F16B 39/00; F16B 35/00;
F16B 35/005; F16B 35/06; F16B 25/103
See application file for complete search history.

FOREIGN PATENT DOCUMENTS

WO WO 2008150656 A2 * 12/2008 F16B 35/06
WO WO 2010098925 A1 * 9/2010 F16B 35/06

* cited by examiner

Primary Examiner — Sheryl Lane
Assistant Examiner — Ieisha Price
(74) *Attorney, Agent, or Firm* — Lora J. Graentzdoerffer

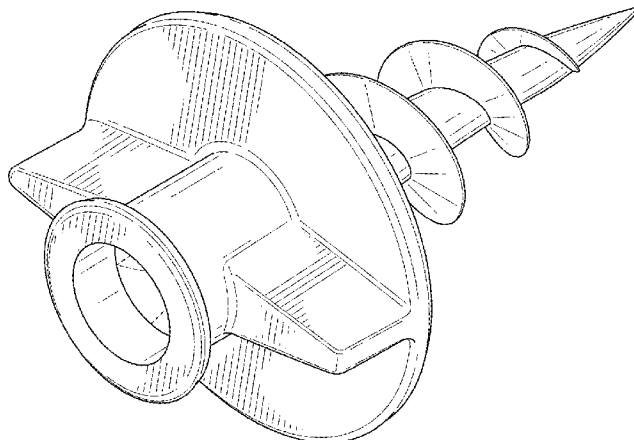
(57) **CLAIM**
The ornamental design for a picture hanging screw, as shown and described.

(56) **References Cited**
U.S. PATENT DOCUMENTS
842,933 A 2/1907 Bement
2,048,234 A 7/1936 Tucker
3,752,030 A 8/1973 Steurer
4,653,244 A 3/1987 Farrell
5,059,077 A * 10/1991 Schmid 411/400
5,358,209 A * 10/1994 Ward 248/545
5,551,818 A * 9/1996 Koppel 411/387.1
D378,052 S * 2/1997 Perreault D8/387
5,755,545 A 5/1998 Banks
5,779,417 A * 7/1998 Barth et al. 411/412

DESCRIPTION

FIG. 1 is a perspective view of a picture hanging screw showing my design;
FIG. 2 is a left side elevational view; where the right side elevational view is a mirror image thereof;
FIG. 3 is a top plan view; and,
FIG. 4 is a bottom plan view.
The broken lines in the drawings illustrate portions of the picture hanging screw and form no part of the claimed design.

1 Claim, 3 Drawing Sheets



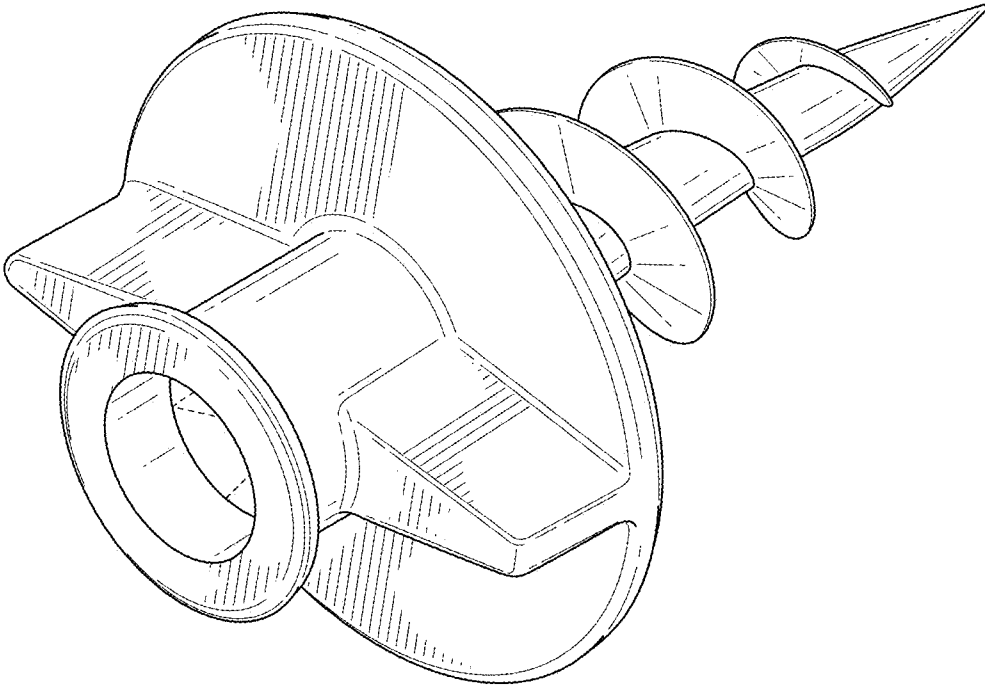


FIG. 1

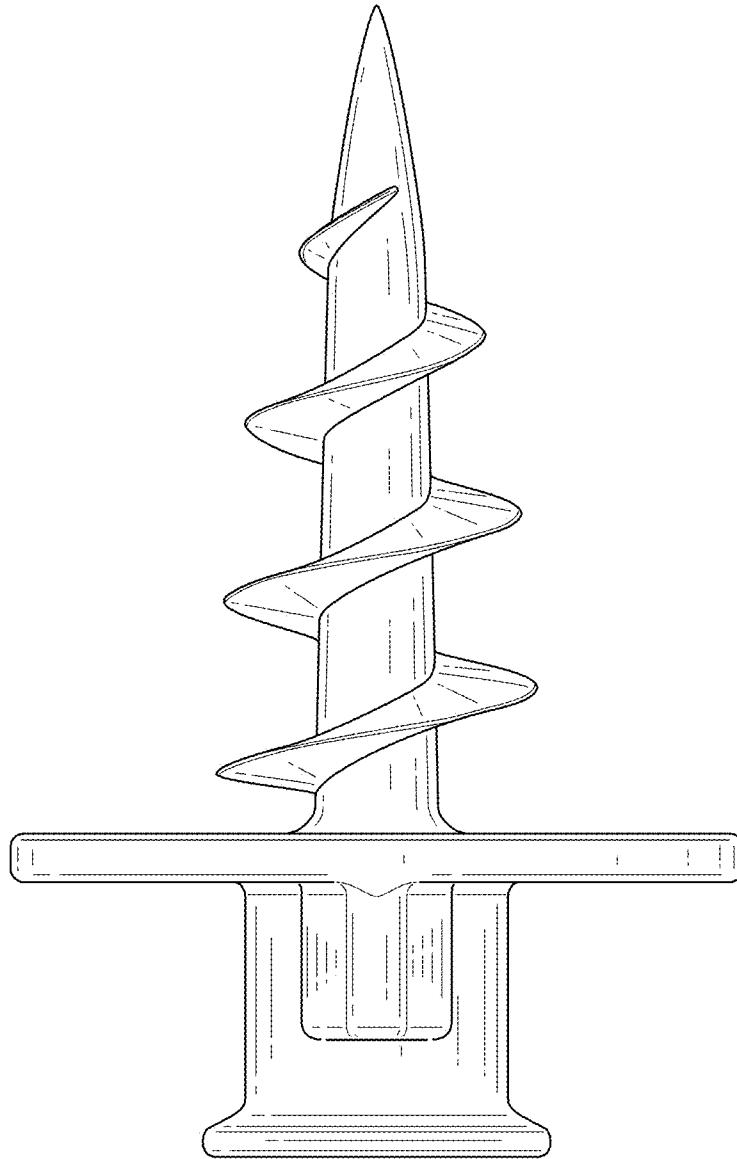


FIG. 2

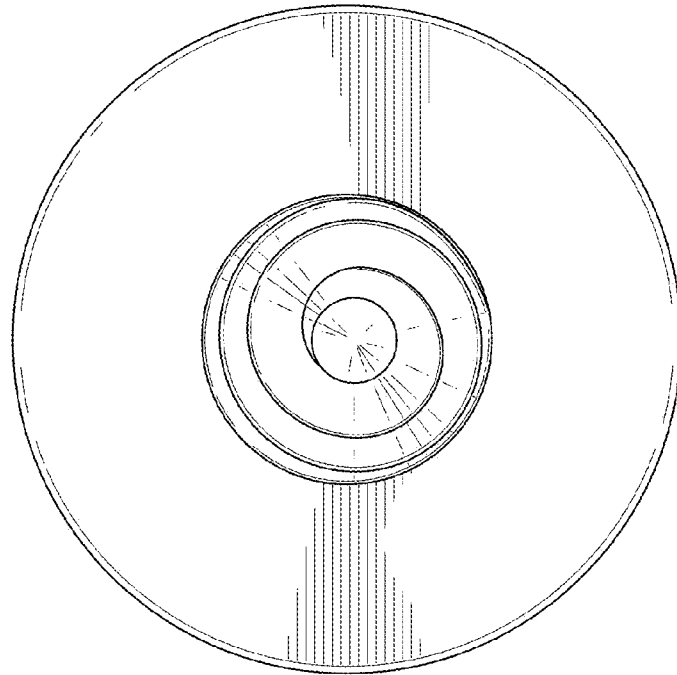


FIG. 3

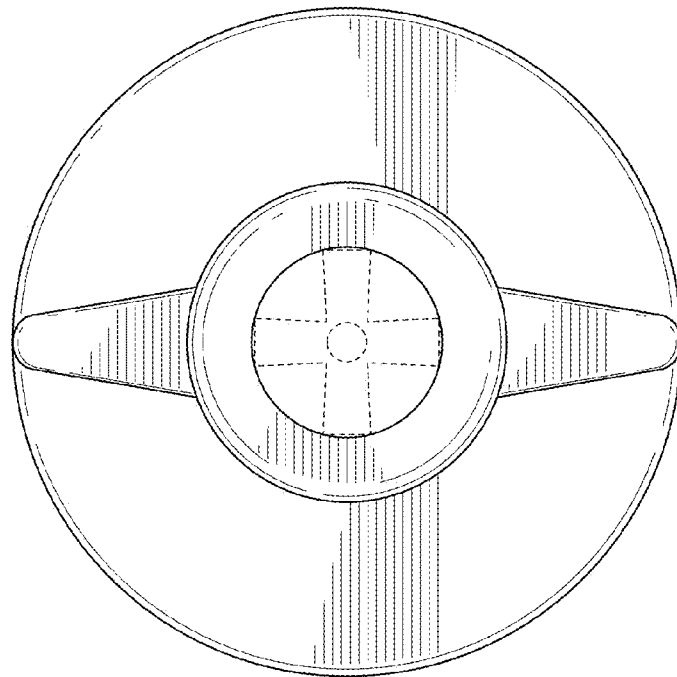


FIG. 4