

(19) World Intellectual Property Organization
International Bureau



(43) International Publication Date
19 October 2006 (19.10.2006)

PCT

(10) International Publication Number
WO 2006/110734 A3

- (51) International Patent Classification:
A61B 17/10 (2006.01)
- (21) International Application Number:
PCT/US2006/013459
- (22) International Filing Date: 7 April 2006 (07.04.2006)
- (25) Filing Language: English
- (26) Publication Language: English
- (30) Priority Data:
60/670,295 7 April 2005 (07.04.2005) US
60/678,995 2 May 2005 (02.05.2005) US
- (71) Applicant (for all designated States except US): **Sentre-HEART, Inc.** [US/US]; 2468 Embarcadero Way, Palo Alto, California 94303 (US).
- (72) Inventors; and
- (75) Inventors/Applicants (for US only): **LIDDICOAT, John, R.** [US/US]; 108 Lincoln Street, Apt. 5b, Boston, Massachusetts 02111 (US). **COHN, William, E.** [US/US]; 104 Lagrange Street, Chestnut Hill, Massachusetts 02467 (US).
- (74) Agents: **KAPPOS, John, C.** et al.; O'MELVENY & MYERS LLP, 610 Newport Center Drive, 17th Floor, Newport Beach, California 92660-6429 (US).

(81) Designated States (unless otherwise indicated, for every kind of national protection available): AE, AG, AL, AM, AT, AU, AZ, BA, BB, BG, BR, BW, BY, BZ, CA, CH, CN, CO, CR, CU, CZ, DE, DK, DM, DZ, EC, EE, EG, ES, FI, GB, GD, GE, GH, GM, HR, HU, ID, IL, IN, IS, JP, KE, KG, KM, KN, KP, KR, KZ, LC, LK, LR, LS, LT, LU, LV, LY, MA, MD, MG, MK, MN, MW, MX, MZ, NA, NG, NI, NO, NZ, OM, PG, PH, PL, PT, RO, RU, SC, SD, SE, SG, SK, SL, SM, SY, TJ, TM, TN, TR, TT, TZ, UA, UG, US, UZ, VC, VN, YU, ZA, ZM, ZW.

(84) Designated States (unless otherwise indicated, for every kind of regional protection available): ARIPO (BW, GH, GM, KE, LS, MW, MZ, NA, SD, SL, SZ, TZ, UG, ZM, ZW), Eurasian (AM, AZ, BY, KG, KZ, MD, RU, TJ, TM), European (AT, BE, BG, CH, CY, CZ, DE, DK, EE, ES, FI, FR, GB, GR, HU, IE, IS, IT, LT, LU, LV, MC, NL, PL, PT, RO, SE, SI, SK, TR), OAPI (BF, BJ, CF, CG, CI, CM, GA, GN, GQ, GW, ML, MR, NE, SN, TD, TG).

Published:

— with international search report

(88) Date of publication of the international search report:
23 April 2009

(54) Title: APPARATUS AND METHOD FOR THE LIGATION OF TISSUE

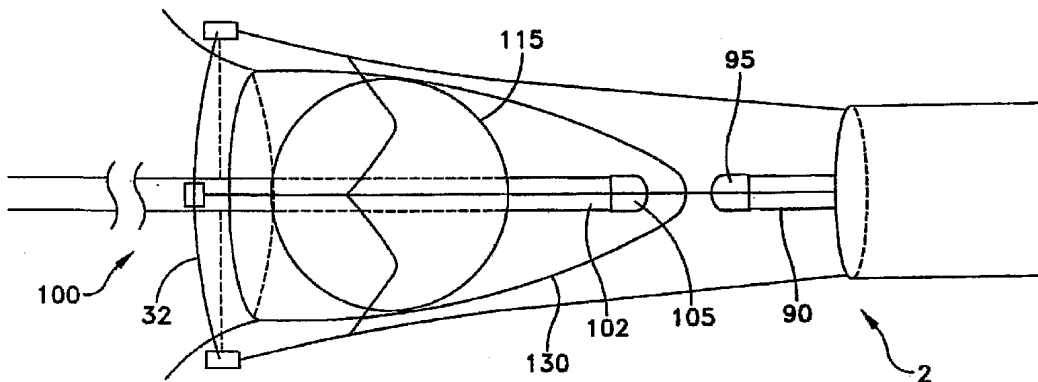


FIG. 17

(57) Abstract: A novel catheter-based system that ligates the left atrial appendage (LAA) on the outside of the heart, preferably using a combination of catheters and/or instruments, e.g., a guide catheter inserted into the interior of the left atrial appendage that may assist in locating the left atrial appendage and/or assist in the optimal placement of a ligature or constricting element on the outside of the appendage, and a ligating catheter and/or instrument outside the heart in the pericardial space to set the ligature or constricting element at the neck of the left atrial appendage.

WO 2006/110734 A3

INTERNATIONAL SEARCH REPORT

International application No.

PCT/US06/13459

A. CLASSIFICATION OF SUBJECT MATTER
 IPC: **A61B 17/10(2006.01)**

USPC: 606/139
 According to International Patent Classification (IPC) or to both national classification and IPC

B. FIELDS SEARCHED

Minimum documentation searched (classification system followed by classification symbols)
 U.S. : 606/139, 140, 142, 148, 191, 194, 108

Documentation searched other than minimum documentation to the extent that such documents are included in the fields searched

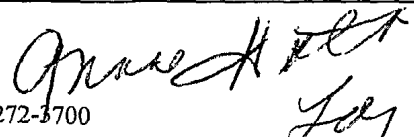
Electronic data base consulted during the international search (name of data base and, where practicable, search terms used)

C. DOCUMENTS CONSIDERED TO BE RELEVANT

Category *	Citation of document, with indication, where appropriate, of the relevant passages	Relevant to claim No.
X --- Y	US 6,379,366 B1 (FLEISCHMAN et al.) 30 April 2002 (30.04.2002), see entire document	1-5, 7, 9-11, 14, 15 ----- 6, 8, 12, 13
X --- Y	US 6,488,689 B1 (KAPLAN et al.) 03 December 2002 (03.12.2002), col. 3 and 5-7, Fig. 1-6	16-21 ----- 12, 22, 23
--- Y	US 2004/0030335 A1 (ZENATI et al.) 12 February 2004 (12.02.2004), paragraphs [0013], [0066]-[0069]	----- 6, 8, 13, 22, 23

Further documents are listed in the continuation of Box C. See patent family annex.

* Special categories of cited documents:		
"A"	document defining the general state of the art which is not considered to be of particular relevance	"T" later document published after the international filing date or priority date and not in conflict with the application but cited to understand the principle or theory underlying the invention
"E"	earlier application or patent published on or after the international filing date	"X" document of particular relevance; the claimed invention cannot be considered novel or cannot be considered to involve an inventive step when the document is taken alone
"L"	document which may throw doubts on priority claim(s) or which is cited to establish the publication date of another citation or other special reason (as specified)	"Y" document of particular relevance; the claimed invention cannot be considered to involve an inventive step when the document is combined with one or more other such documents, such combination being obvious to a person skilled in the art
"O"	document referring to an oral disclosure, use, exhibition or other means	
"P"	document published prior to the international filing date but later than the priority date claimed	"&" document member of the same patent family

Date of the actual completion of the international search 17 April 2008 (17.04.2008)	Date of mailing of the international search report 19 MAY 2008
Name and mailing address of the ISA/US Mail Stop PCT, Attn: ISA/US Commissioner for Patents P.O. Box 1450 Alexandria, Virginia 22313-1450 Facsimile No. (571) 273-3201	Authorized officer Jackie Ho Telephone No. (571) 272-3700 

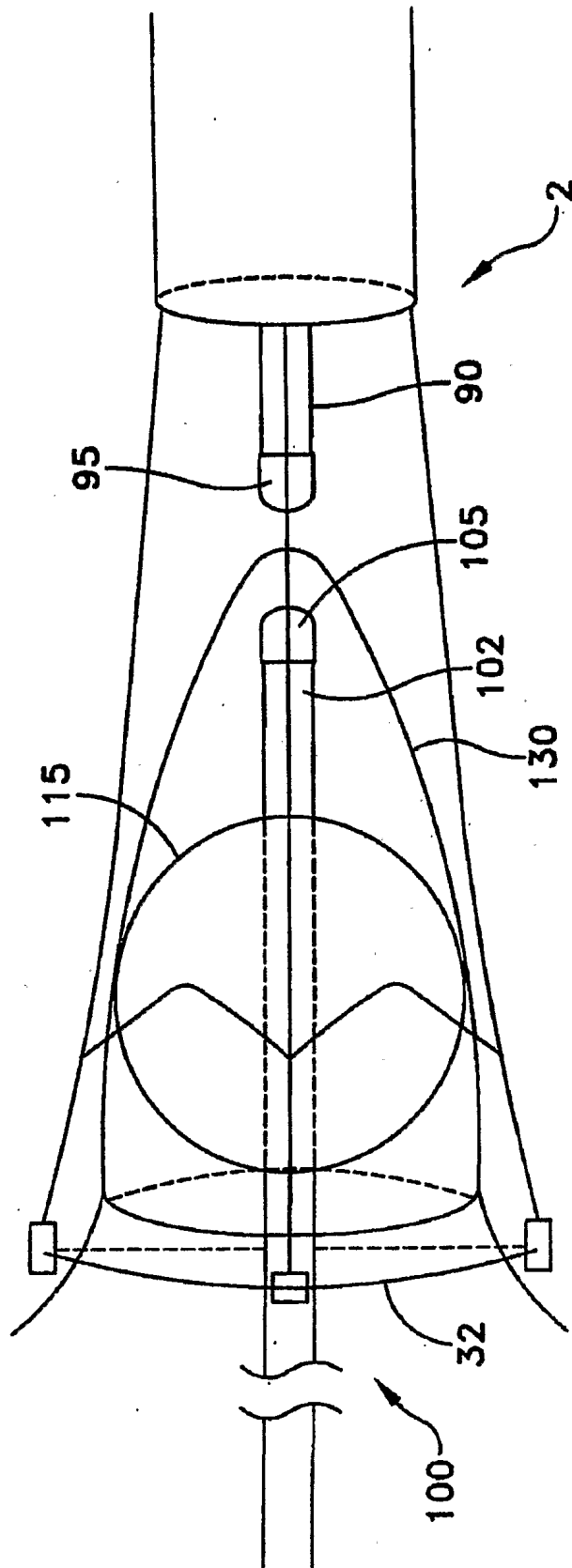


FIG. 17