

(19) World Intellectual Property Organization  
International Bureau



(43) International Publication Date  
31 January 2008 (31.01.2008)

PCT

(10) International Publication Number  
**WO 2008/012823 A3**

(51) International Patent Classification:  
G01J 5/00 (2006.01)

KOTLICKI, Yaacov [IL/IL]; 50 HaMarganit Street,  
52584 Ramat Gan (IL).

(21) International Application Number:  
PCT/IL2007/000939

(74) Agents: SANFORD T. COLB & CO. et al.; P.O. Box  
2273, 76122 Rehovot (IL).

(22) International Filing Date: 26 July 2007 (26.07.2007)

(81) Designated States (unless otherwise indicated, for every  
kind of national protection available): AE, AG, AL, AM,  
AT, AU, AZ, BA, BB, BG, BH, BR, BW, BY, BZ, CA, CH,  
CN, CO, CR, CU, CZ, DE, DK, DM, DO, DZ, EC, EE, EG,  
ES, FI, GB, GD, GE, GH, GM, GT, HN, HR, HU, ID, IL,  
IN, IS, JP, KE, KG, KM, KN, KP, KR, KZ, LA, LC, LK,  
LR, LS, LT, LU, LY, MA, MD, ME, MG, MK, MN, MW,  
MX, MY, MZ, NA, NG, NI, NO, NZ, OM, PG, PH, PL,  
PT, RO, RS, RU, SC, SD, SE, SG, SK, SL, SM, SV, SY,  
TJ, TM, TN, TR, TT, TZ, UA, UG, US, UZ, VC, VN, ZA,  
ZM, ZW.

(25) Filing Language: English

(26) Publication Language: English

(30) Priority Data:  
60/834,367 27 July 2006 (27.07.2006) US

(71) Applicant (for all designated States except US): VISONIC  
LTD [IL/IL]; P.O. Box 22020, 61220 Tel Aviv (IL).

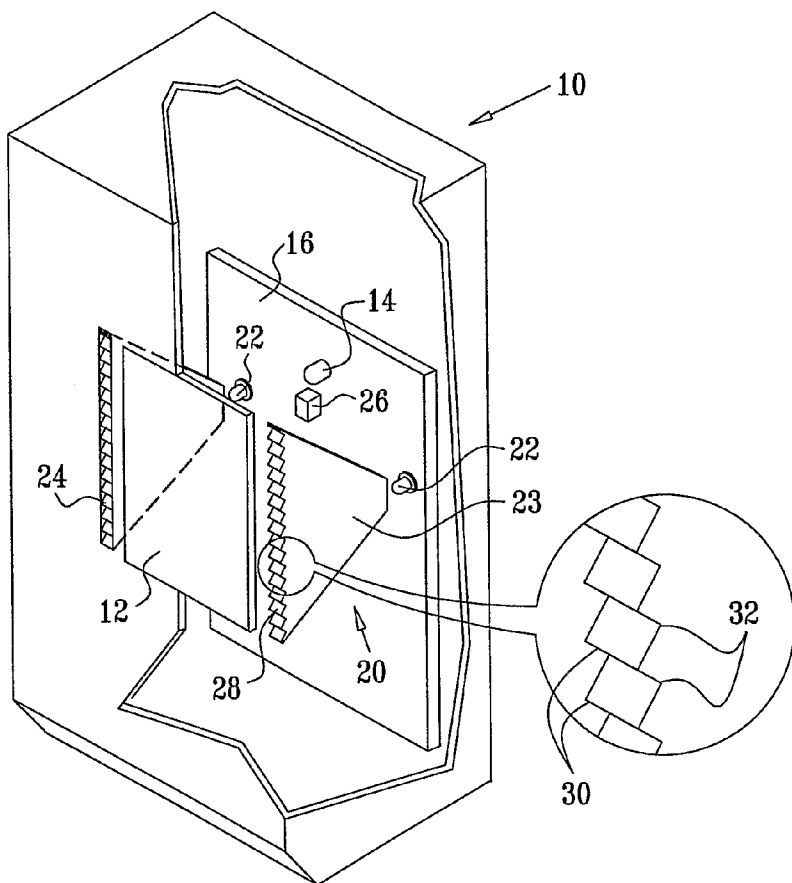
(84) Designated States (unless otherwise indicated, for every  
kind of regional protection available): ARIPO (BW, GH,  
GM, KE, LS, MW, MZ, NA, SD, SL, SZ, TZ, UG, ZM,  
ZW), Eurasian (AM, AZ, BY, KG, KZ, MD, RU, TJ, TM),  
European (AT, BE, BG, CH, CY, CZ, DE, DK, EE, ES, FI,

(72) Inventors; and

(75) Inventors/Applicants (for US only): ZHEVELEV, Boris  
[IL/IL]; 2/14 HaIris Street, 75425 Rishon Le Zion (IL).

[Continued on next page]

(54) Title: PASSIVE INFRARED DETECTORS



(57) Abstract: A passive infrared detector assembly including a detector housing comprising a window transparent to far infrared radiation, at least one sensor sensitive to the far infrared radiation and disposed within the detector housing and an anti-masking subassembly, including at least one light guide having a serrated light aperture, the light aperture defining a plurality of teeth like portions and a plurality of grooves and being disposed close to the outside of the window, at least one infrared light emitter operative to emit near infrared radiation via the light aperture of the at least one light guide and a near infrared radiation receiver operative to receive radiation emitted by the at least one near infrared light emitter and to measure the level of received near infrared radiation and to provide a masking alarm signal upon detection of a predetermined change in the level of the received near infrared radiation.

WO 2008/012823 A3



FR, GB, GR, HU, IE, IS, IT, LT, LU, LV, MC, MT, NL, PL,  
PT, RO, SE, SI, SK, TR), OAPI (BF, BJ, CF, CG, CI, CM,  
GA, GN, GQ, GW, ML, MR, NE, SN, TD, TG).

(88) Date of publication of the international search report:  
16 April 2009

**Published:**

— *with international search report*

# INTERNATIONAL SEARCH REPORT

International application No.  
PCT/IL07/00939

**A. CLASSIFICATION OF SUBJECT MATTER**  
 IPC: **G01J 5/00( 2006.01)**

USPC: 250/342,353,DIG1  
 According to International Patent Classification (IPC) or to both national classification and IPC

**B. FIELDS SEARCHED**

Minimum documentation searched (classification system followed by classification symbols)  
 U.S. : 250/342,353,DIG1

Documentation searched other than minimum documentation to the extent that such documents are included in the fields searched

Electronic data base consulted during the international search (name of data base and, where practicable, search terms used)  
 Google internet search engine. Search terms: (pir, passive infrared, anti-masking, anti-obscuring)

**C. DOCUMENTS CONSIDERED TO BE RELEVANT**

Category *	Citation of document, with indication, where appropriate, of the relevant passages	Relevant to claim No.
A	US 6,262,661 B1 (Mahler et al) 17 July 2001 (17.09.2001), abstract; column 4, lines 21-46.	1-16
A	US 2005/0030180 A1 (Pantus et al) 10 Feb. 2005 (10.02.2005), Figs. 1-3; paragraph [0021].	1-16

Further documents are listed in the continuation of Box C.       See patent family annex.

* Special categories of cited documents:	Symbol
"A" document defining the general state of the art which is not considered to be of particular relevance	"T" later document published after the international filing date or priority date and not in conflict with the application but cited to understand the principle or theory underlying the invention
"E" earlier application or patent published on or after the international filing date	"X" document of particular relevance; the claimed invention cannot be considered novel or cannot be considered to involve an inventive step when the document is taken alone
"L" document which may throw doubts on priority claim(s) or which is cited to establish the publication date of another citation or other special reason (as specified)	"Y" document of particular relevance; the claimed invention cannot be considered to involve an inventive step when the document is combined with one or more other such documents, such combination being obvious to a person skilled in the art
"O" document referring to an oral disclosure, use, exhibition or other means	"&" document member of the same patent family
"P" document published prior to the international filing date but later than the priority date claimed	

Date of the actual completion of the international search 26 February 2008 (26.02.2008)	Date of mailing of the international search report <b>05 MAR 2008</b>
--	--

Name and mailing address of the ISA/US Mail Stop PCT, Attn: ISA/US Commissioner for Patents P.O. Box 1450 Alexandria, Virginia 22313-1450 Facsimile No. (571) 273-3201	Authorized officer David Porta <i>Lydia Deu For</i> Telephone No. None
---	--