

(19) World Intellectual Property Organization  
International Bureau



(43) International Publication Date  
18 March 2010 (18.03.2010)

PCT

(10) International Publication Number  
**WO 2010/030902 A3**

(51) International Patent Classification:

*B60S 9/22* (2006.01)      *B60S 9/04* (2006.01)  
*B60S 9/02* (2006.01)      *B60D 1/66* (2006.01)

(21) International Application Number:

PCT/US2009/056688

(22) International Filing Date:

11 September 2009 (11.09.2009)

(25) Filing Language:

English

(26) Publication Language:

English

(30) Priority Data:

61/191,683    11 September 2008 (11.09.2008)      US

(71) Applicant (for all designated States except US): **CE-  
QUENT TRAILER PRODUCTS** [US/US]; 1050 Indi-  
anhead Drive, Mosinee, WI 54455 (US).

(72) Inventors; and

(75) Inventors/Applicants (for US only): **WALSTROM,  
Todd** [US/US]; 9905 Maplewood Drive, Weston, WI  
54476 (US). **MURPHY, Michael** [US/US]; 3006 Teal  
Avenue, Wausau, WI 54401 (US). **DRAKE, Frank** [US/  
US]; 5307 Lakeshore Drive, Wausau, WI 54401 (US).

(74) Agent: **CUPAR, David, B.**; McDonald Hopkins LLC,  
600 Superior Avenue, East, Suite 2100, Cleveland, OH  
44114 (US).

(81) Designated States (unless otherwise indicated, for every  
kind of national protection available): AE, AG, AL, AM,  
AO, AT, AU, AZ, BA, BB, BG, BH, BR, BW, BY, BZ,  
CA, CH, CL, CN, CO, CR, CU, CZ, DE, DK, DM, DO,  
DZ, EC, EE, EG, ES, FI, GB, GD, GE, GH, GM, GT,  
HN, HR, HU, ID, IL, IN, IS, JP, KE, KG, KM, KN, KP,  
KR, KZ, LA, LC, LK, LR, LS, LT, LU, LY, MA, MD,  
ME, MG, MK, MN, MW, MX, MY, MZ, NA, NG, NI,  
NO, NZ, OM, PE, PG, PH, PL, PT, RO, RS, RU, SC, SD,  
SE, SG, SK, SL, SM, ST, SV, SY, TJ, TM, TN, TR, TT,  
TZ, UA, UG, US, UZ, VC, VN, ZA, ZM, ZW.

(84) Designated States (unless otherwise indicated, for every  
kind of regional protection available): ARIPO (BW, GH,  
GM, KE, LS, MW, MZ, NA, SD, SL, SZ, TZ, UG, ZM,  
ZW), Eurasian (AM, AZ, BY, KG, KZ, MD, RU, TJ,  
TM), European (AT, BE, BG, CH, CY, CZ, DE, DK, EE,  
ES, FI, FR, GB, GR, HR, HU, IE, IS, IT, LT, LU, LV,  
MC, MK, MT, NL, NO, PL, PT, RO, SE, SI, SK, SM,  
TR), OAPI (BF, BJ, CF, CG, CI, CM, GA, GN, GQ, GW,  
ML, MR, NE, SN, TD, TG).

Published:

- with international search report (Art. 21(3))
- before the expiration of the time limit for amending the  
claims and to be republished in the event of receipt of  
amendments (Rule 48.2(h))

[Continued on next page]

(54) Title: VERTICALLY ADJUSTABLE MOUNT FOR JACK ASSEMBLY

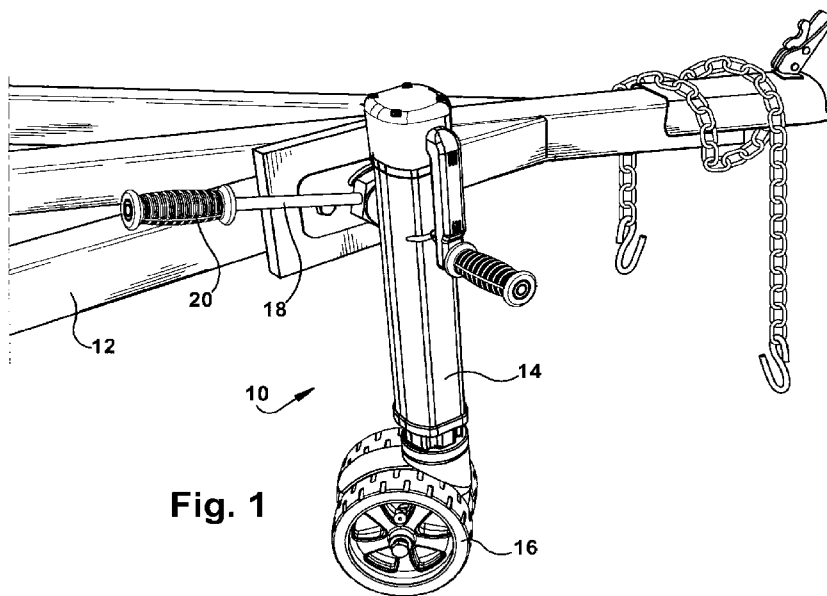


Fig. 1

(57) Abstract: A jack assembly for adjusting the height of a trailer is provided. The jack assembly is moveable between an operable and a stowed position. The assembly includes a tube having a slot portion and a slide block moveable within the slot portion. A post connected to the slide block protrudes through an opening in the slot portion to engage a clamping mechanism. The clamping mechanism is movable between a clamped position where the slide block is clamped to the tube to prevent the jack from moving, and an undamped position where the slide block is movable within the slot portion to allow the jack assembly to be moved between an operable position and a stowed position.



WO 2010/030902 A3

**(88)** Date of publication of the international search report:  
26 April 2012

<b>INTERNATIONAL SEARCH REPORT</b>		International application No. PCT/US09/56688
<b>A. CLASSIFICATION OF SUBJECT MATTER</b> IPC: <b>B60S 9/22(2006.01),9/02(2006.01),9/04(2006.01);B60D 1/66(2006.01)</b>  USPC: 280/475;254/420 According to International Patent Classification (IPC) or to both national classification and IPC		
<b>B. FIELDS SEARCHED</b>  Minimum documentation searched (classification system followed by classification symbols) U.S. : 280/475;254/420;280/475,477,490.1,763.1,764.1,765.1,766.1,767;254/418-422  Documentation searched other than minimum documentation to the extent that such documents are included in the fields searched  Electronic data base consulted during the international search (name of data base and, where practicable, search terms used)		
<b>C. DOCUMENTS CONSIDERED TO BE RELEVANT</b>		
Category *	Citation of document, with indication, where appropriate, of the relevant passages	Relevant to claim No.
X	US 4,265,429 (FORMHALS) 05 May 1981 (05.05.1981)	1 and 2
X,P	US 2009/0057633 A1 (BECK et al) 05 March 2009 (05.03.2009)	1
A	US 6,213,491 B1 (SOUTHARD JR.) 10 April 2001 (10.04.2001)	1-20
A	US 6,607,183 B1 (WHITE et al) 19 August 2003 (19.08.2003)	1-20
A	US 6,302,381 B1 (ROLL) 16 October 2001 (16.10.2001)	1-20
A	US 2004/0159826 A1 (PESCHMANN et al) 19 August 2004 (19.08.2004)	1-20
A	US 5,282,605 A (SAUBER) 01 February 1994 (01.02.1994)	1-20
<input checked="" type="checkbox"/> Further documents are listed in the continuation of Box C. <input type="checkbox"/> See patent family annex.		
* Special categories of cited documents:		
"A" document defining the general state of the art which is not considered to be of particular relevance  "E" earlier application or patent published on or after the international filing date  "L" document which may throw doubts on priority claim(s) or which is cited to establish the publication date of another citation or other special reason (as specified)  "O" document referring to an oral disclosure, use, exhibition or other means  "P" document published prior to the international filing date but later than the priority date claimed	"T" later document published after the international filing date or priority date and not in conflict with the application but cited to understand the principle or theory underlying the invention  "X" document of particular relevance; the claimed invention cannot be considered novel or cannot be considered to involve an inventive step when the document is taken alone  "Y" document of particular relevance; the claimed invention cannot be considered to involve an inventive step when the document is combined with one or more other such documents, such combination being obvious to a person skilled in the art  "&" document member of the same patent family	
Date of the actual completion of the international search 02 March 2012 (02.03.2012)	Date of mailing of the international search report <b>05 MAR 2012</b>	
Name and mailing address of the ISA/US Mail Stop PCT, Attn: ISA/US Commissioner for Patents P.O. Box 1450 Alexandria, Virginia 22313-1450 Facsimile No. (571) 273-3201	Authorized officer  Teri Luu  Telephone No. 571-272-7045	

**INTERNATIONAL SEARCH REPORT**

International application No.

PCT/US09/56688

**Box No. II Observations where certain claims were found unsearchable (Continuation of item 2 of first sheet)**

This international search report has not been established in respect of certain claims under Article 17(2)(a) for the following reasons:

1.  Claims Nos.:  
because they relate to subject matter not required to be searched by this Authority, namely:
  
2.  Claims Nos.:  
because they relate to parts of the international application that do not comply with the prescribed requirements to such an extent that no meaningful international search can be carried out, specifically:
  
3.  Claims Nos.:  
because they are dependent claims and are not drafted in accordance with the second and third sentences of Rule 6.4(a).

**Box No. III Observations where unity of invention is lacking (Continuation of item 3 of first sheet)**

This International Searching Authority found multiple inventions in this international application, as follows:

1.  As all required additional search fees were timely paid by the applicant, this international search report covers all searchable claims.
  2.  As all searchable claims could be searched without effort justifying additional fees, this Authority did not invite payment of any additional fees.
  3.  As only some of the required additional search fees were timely paid by the applicant, this international search report covers only those claims for which fees were paid, specifically claims Nos.:
  
  4.  No required additional search fees were timely paid by the applicant. Consequently, this international search report is restricted to the invention first mentioned in the claims; it is covered by claims Nos.:
- Remark on Protest**
- The additional search fees were accompanied by the applicant's protest and, where applicable, the payment of a protest fee.
  - The additional search fees were accompanied by the applicant's protest but the applicable protest fee was not paid within the time limit specified in the invitation.
  - No protest accompanied the payment of additional search fees.

**INTERNATIONAL SEARCH REPORT**International application No.  
PCT/US09/56688**C (Continuation). DOCUMENTS CONSIDERED TO BE RELEVANT**

Category *	Citation of document, with indication, where appropriate, of the relevant passages	Relevant to claim No.
A	US 4,623,125 (EBEY) 18 November 1986 (18.11.1986)	1-20