



US00D762168S

(12) **United States Design Patent**
Sandoval et al.

(10) **Patent No.:** **US D762,168 S**

(45) **Date of Patent:** **** Jul. 26, 2016**

(54) **MOBILE POWER DEVICE**

(71) Applicant: **Cobra Electronics Corporation**,
Chicago, IL (US)

(72) Inventors: **Ramon Sandoval**, Chicago, IL (US);
Wilfred Charles Boudreau, Mundelien,
IL (US); **Christopher Steven deWaal**,
Oakwood Hills, IL (US); **Jonathan**
Charles Levell, Evanston, IL (US);
Jeffrey Patrick Heuel, Elmhurst, IL
(US)

D686,986 S *	7/2013	Franco	D13/108
D705,719 S *	5/2014	Wong	D13/103
D715,738 S *	10/2014	Salmon	D13/119
D724,540 S *	3/2015	Muro	D13/110
D727,259 S *	4/2015	Hwang	D13/108
D739,407 S *	9/2015	Son	D14/434
D740,223 S *	10/2015	Yoneta	D13/108
D741,824 S *	10/2015	Ryan	D13/162
D743,332 S *	11/2015	Ju	D13/103
D744,418 S *	12/2015	Ogihara	D13/108
D744,944 S *	12/2015	Bates	D13/107

(Continued)

OTHER PUBLICATIONS

Battery Tender—Portable Power Pack webpage, <http://www.batterytender.com/Portable-Power-Pack/>, printed on Aug. 31, 2015.

(Continued)

(**) Term: **15 Years**

(21) Appl. No.: **29/535,785**

(22) Filed: **Aug. 10, 2015**

(51) **LOC (10) Cl.** **13-02**

(52) **U.S. Cl.**
USPC **D13/107**

(58) **Field of Classification Search**
USPC D13/107–110, 118–119, 184; D14/251,
D14/253, 432, 434; 320/107–115
CPC Y02T 10/7005; Y02T 10/705; Y02T
10/7088; Y02T 90/14; Y02T 90/122; Y02T
90/128; Y02T 90/163; H02J 7/0034; H02J
7/0054; H02J 7/1423; H02J 7/025; H02J
7/0042; H02J 7/0044; H02J 7/0045; H02J
7/0003; H02J 7/0055; H02J 7/0057; H02J
2001/006; Y02E 60/12; H01F 38/14; H01R
13/6675; H01M 2/1022; H01M 2/1055;
H01M 10/44; H01M 10/46; H01M 10/425;
B60L 11/182

See application file for complete search history.

(56) **References Cited**

U.S. PATENT DOCUMENTS

D578,960 S *	10/2008	Fisher	D13/108
D662,472 S *	6/2012	Tien	D13/110
D686,572 S *	7/2013	Loya	D13/108

Primary Examiner — Rosemary K Tarcza
Assistant Examiner — Christy Nemeth
(74) *Attorney, Agent, or Firm* — Hitchcock Evert LLP

(57) **CLAIM**

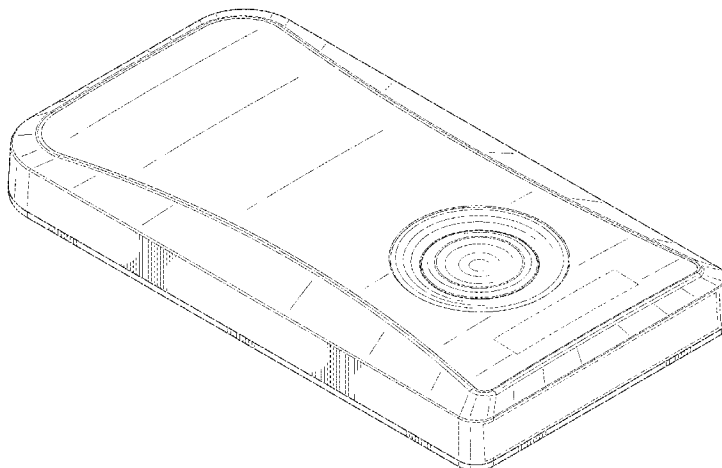
The ornamental design for a mobile power device, as shown and described.

DESCRIPTION

FIG. 1 is a perspective view from the top-left of the mobile power device;
FIG. 2 is a front view thereof;
FIG. 3 is a back view thereof;
FIG. 4 is a right side view thereof;
FIG. 5 is a left side view thereof;
FIG. 6 is a top view thereof; and,
FIG. 7 is a bottom view thereof.

The broken lines in the drawings illustrate elements of the mobile power device which form no part of the claimed design.

1 Claim, 5 Drawing Sheets



(56)

References Cited

U.S. PATENT DOCUMENTS

D750,020 S * 2/2016 Song D13/108
2012/0268064 A1 * 10/2012 Ostrom G06F 1/26
320/108
2015/0015180 A1 * 1/2015 Miller H02J 7/025
320/103
2015/0171386 A1 * 6/2015 Yang H01M 2/1022
429/163
2015/0188357 A1 * 7/2015 Chen H02J 7/025
320/108
2015/0244064 A1 * 8/2015 Murayama G06K 7/10336
343/702

OTHER PUBLICATIONS

Weego Jump Starters and Battery Packs webpage, <http://www.myweego.com/>, printed on Aug. 31, 2015.
PowerAll Products webpage, <http://thepowerall.com/index.php?route=product/category&path=304>, printed on Aug. 31, 2015.
Jump and Go—Portable Jumpstart—Whistler Group Inc webpage, <https://www.whistlergroup.com/usa/product-catalog-us/portable-jumpstart-power-supply/jump-go-portable-jumpstart.html>, printed on Aug. 31, 2015.
Cobra JumPack™ webpage, <https://www.cobra.com/products/portable-power/cobra-jumpack>, printed on Aug. 31, 2015.

* cited by examiner

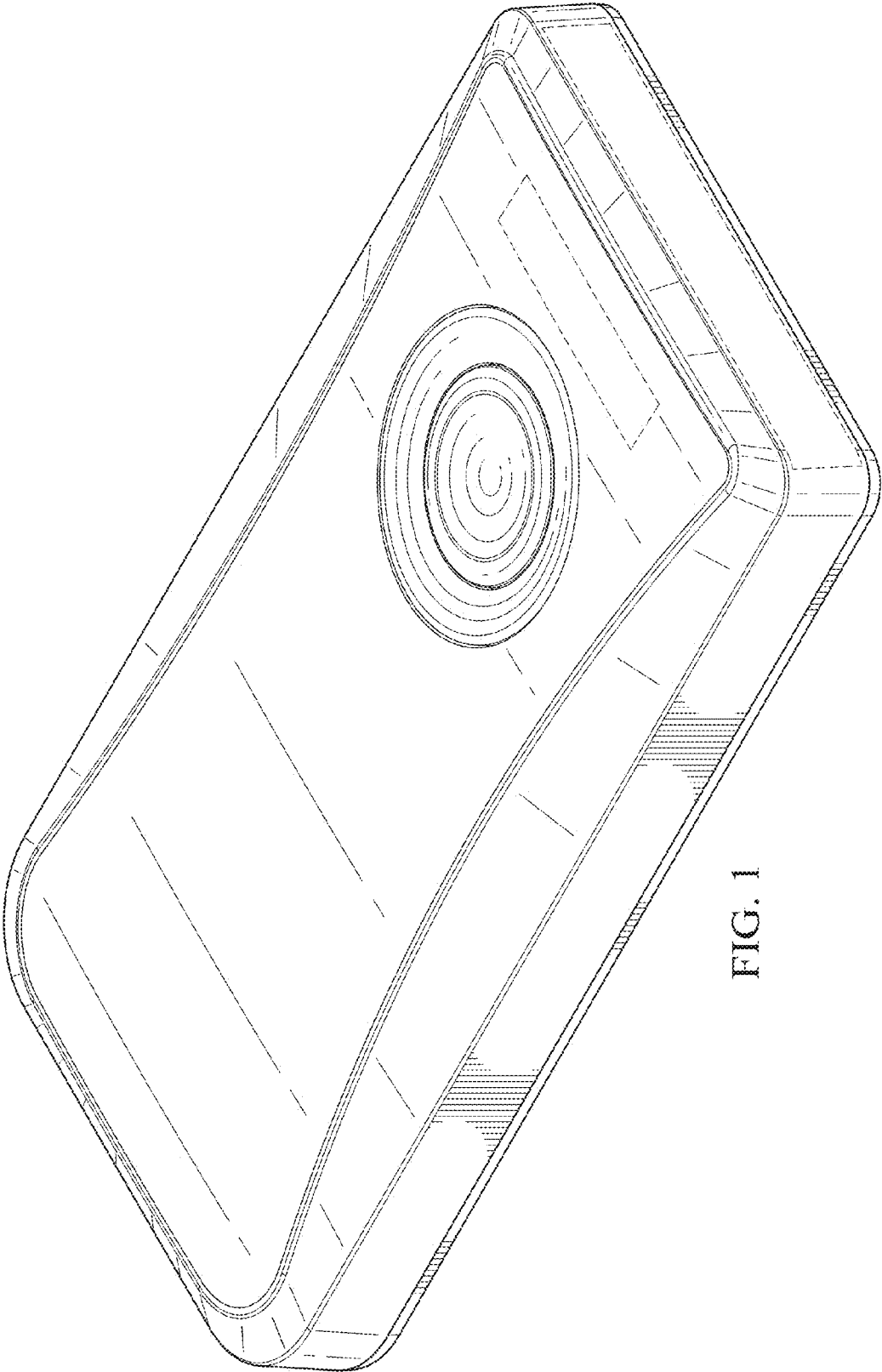


FIG. 1

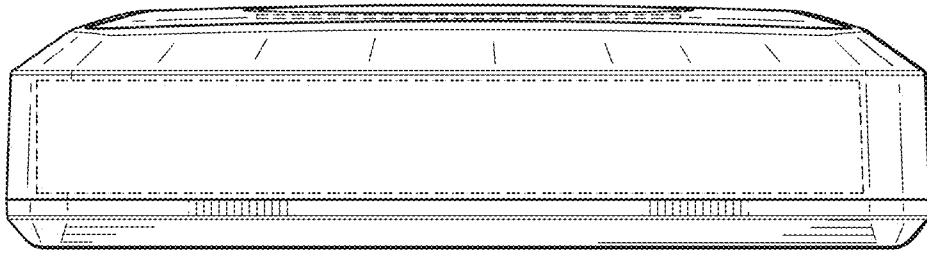


FIG. 2

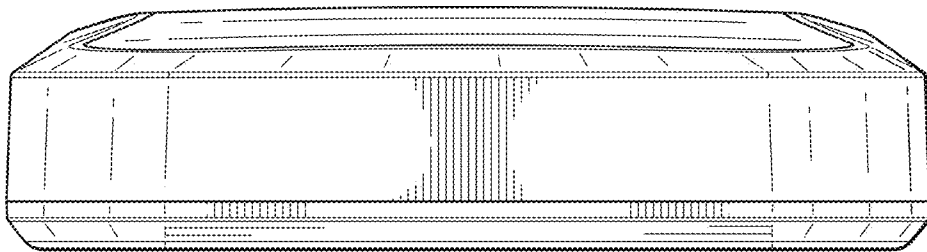


FIG. 3

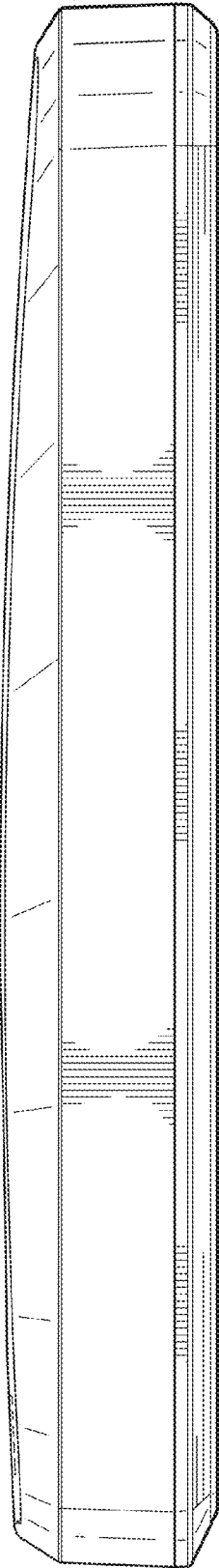


FIG. 4

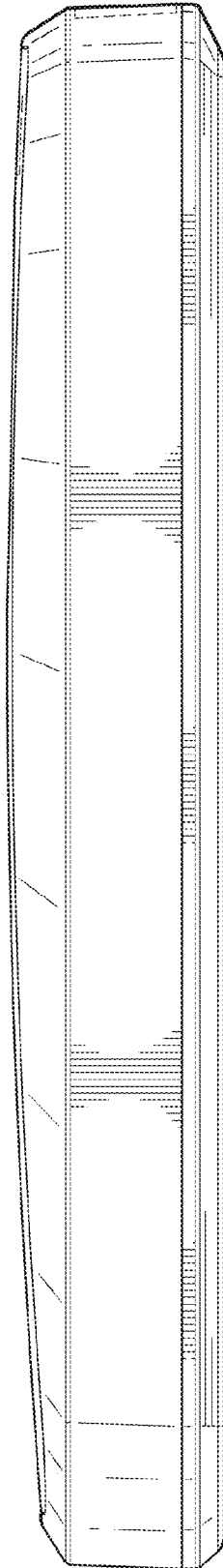


FIG. 5

FIG. 6

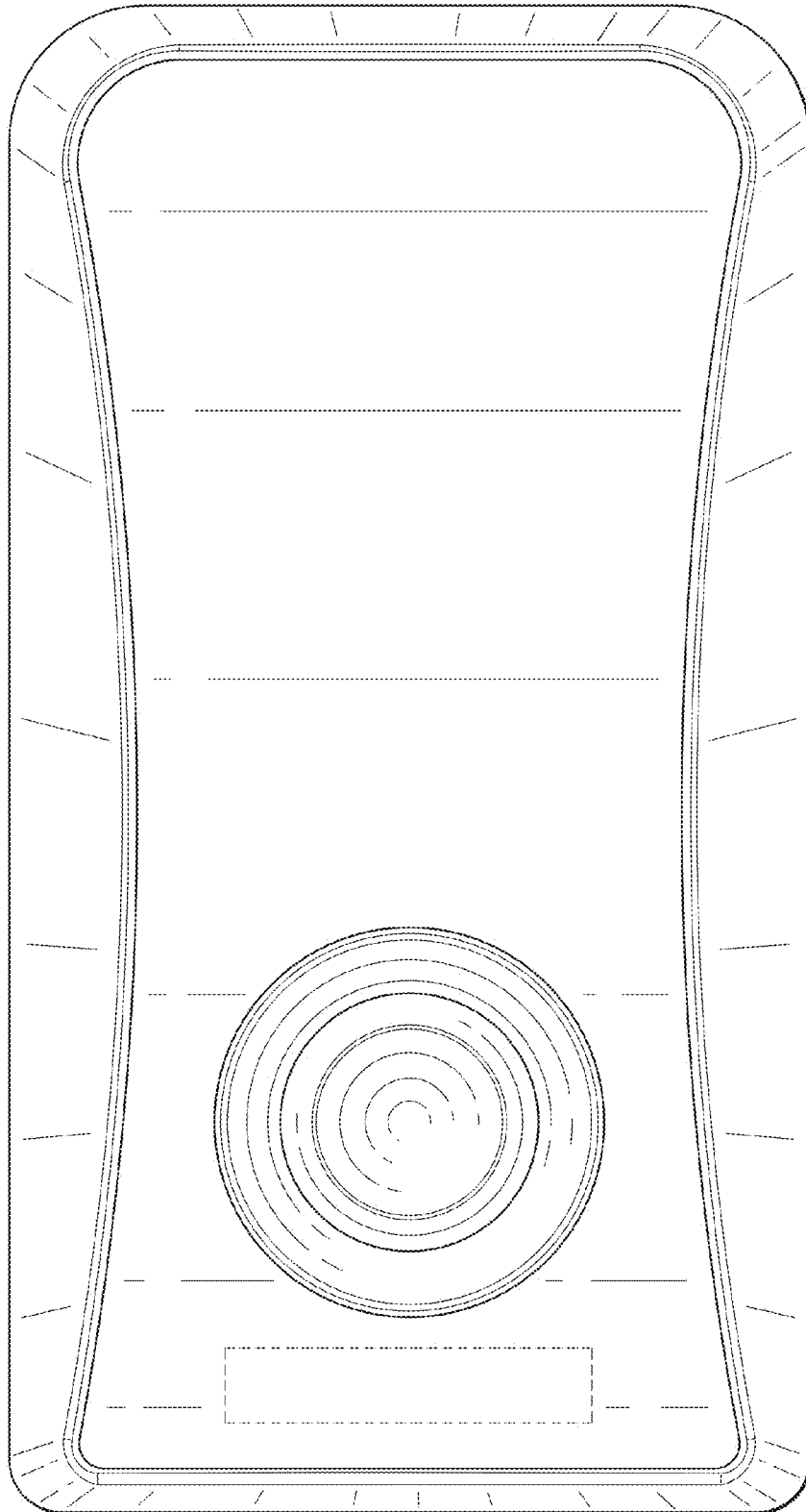


FIG. 7

