



US0D1069251S

(12) **United States Design Patent**  
**Markič**

(10) **Patent No.:** **US D1,069,251 S**

(45) **Date of Patent:** **\*\* Apr. 1, 2025**

- (54) **NESTING BOX**
- (71) Applicant: **Jure Markič**, Kresnice (SI)
- (72) Inventor: **Jure Markič**, Kresnice (SI)
- (73) Assignee: **Jure Markic**, Kresnice (SI)
- (\*\*) Term: **15 Years**
- (21) Appl. No.: **29/855,604**
- (22) Filed: **Oct. 5, 2022**

D935,248 S *	11/2021	Liu .....	D6/682.6
D973,486 S *	12/2022	Reimann .....	D9/422
D990,604 S *	6/2023	Loberg .....	D21/814
D1,000,135 S *	10/2023	Leffring .....	D6/335
D1,008,866 S *	12/2023	Dixon .....	D11/153

**FOREIGN PATENT DOCUMENTS**

CN	306657302	*	7/2021
CN	307421241	*	6/2022
DE	402022200008-0018	*	4/2022
SI	009097694-0001		7/2022
SI	009098452-0001		7/2022
SI	009098452-0002		7/2022

(30) **Foreign Application Priority Data**

Jul. 26, 2022 (EM) ..... 009097694-0001

- (51) **LOC (15) Cl.** ..... **30-02**
- (52) **U.S. Cl.**  
USPC ..... **D30/110**
- (58) **Field of Classification Search**  
USPC ..... D3/304; D6/335, 672, 682.6; D9/422,  
D9/430; D21/826; D24/205; D26/118;  
D30/110  
CPC ..... A01K 31/12; A01K 31/16; A01K 33/00  
See application file for complete search history.

(56) **References Cited**

**U.S. PATENT DOCUMENTS**

D650,534 S *	12/2011	Bormann .....	D30/110
D704,444 S *	5/2014	Scherbing .....	D3/304
D725,314 S *	3/2015	Clark, Jr. ....	D30/110
D759,885 S *	6/2016	Nishimoto .....	D26/118
D764,909 S *	8/2016	Tulin .....	D9/433
D772,421 S *	11/2016	Lin .....	D21/815
D850,166 S *	6/2019	Chiang .....	D6/672
D867,874 S *	11/2019	Guo .....	D9/430
D893,222 S *	8/2020	Tseng .....	D6/678
D906,802 S *	1/2021	Chi .....	D9/430

**OTHER PUBLICATIONS**

Run-Chicken Nesting Box, Poultry Nesting Boxes for Chicken, Chicken Nesting Boxes for Chicken Coop, Chicken Laying Boxes (Brown) <https://a.co/d/6VYyCrZ>, Aug. 8, 2022 (Year: 2022).\*

(Continued)

*Primary Examiner* — Jennifer L Rempfer  
*Assistant Examiner* — Bethany Louise Mallino  
(74) *Attorney, Agent, or Firm* — Sand, Sebolt & Wernow Co., LPA

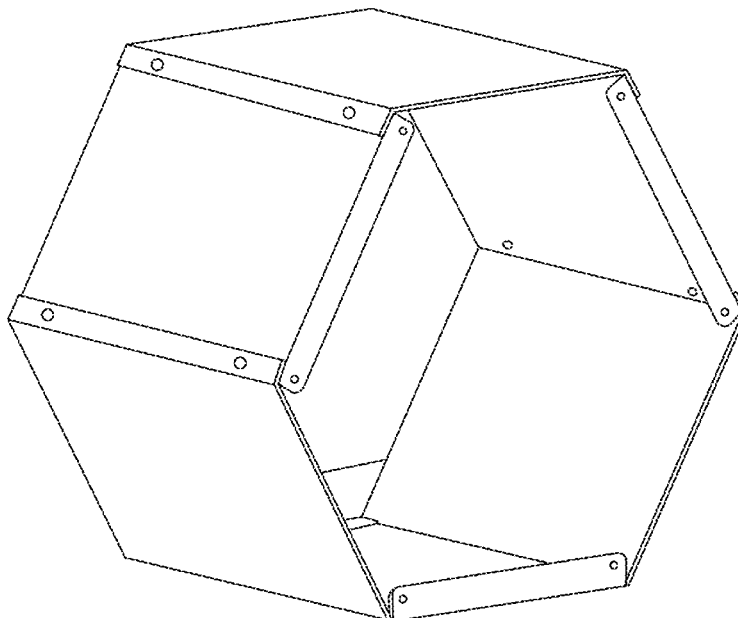
(57) **CLAIM**

The ornamental design for a nesting box, as shown and described.

**DESCRIPTION**

FIG. 1 is a side perspective view depicting an inner side and bottom of the nesting box.  
FIG. 2 is a front perspective view depicting an inner side and bottom of the nesting box.  
FIG. 3 is a front view of the nesting box.  
FIG. 4 is a top view of the nesting box; and,  
FIG. 5 is a side view of the nesting box.

**1 Claim, 5 Drawing Sheets**



(56)

**References Cited**

OTHER PUBLICATIONS

GSM Brands: Hexagon Floating Wall Mounted Shelves Set of 3 Geometric Honeycomb Design <https://a.co/d/8CzOmLQ>, May 21, 2020 (Year: 2020).\*

Wayfair by George Oliver: Hexagonal Shadow Boxes, <https://www.wayfair.com/decor-pillows/pdp/george-oliver-hexagonal-shadow-boxes-with-accent-155-w002210675.html>, TinEye: Nov. 20, 2016 (Year: 2016).\*

Miller 2 Pack of Large Wall Mount Egg Nesting Nest Boxes with Perch for Chicken Coop Hen House Poultry <https://a.co/d/9P8JUD3>, Sep. 13, 2013 (Year: 2013).\*

Run-Chicken Facebook Page Photo, <https://www.facebook.com/runchickendoor/photos/pb.100063838072135.-2207520000/444705490867057/?type=3>, Jul. 29, 2022 (Year: 2022).\*

Cool DIY Ideas: 25 Amazing Ways to Repurpose Old Garden Tools, <http://cooldiyideas.com/25-amazing-ways-to-repurpose-old-garden-tools/>, Jul. 2, 2015 (Year: 2015).\*

\* cited by examiner

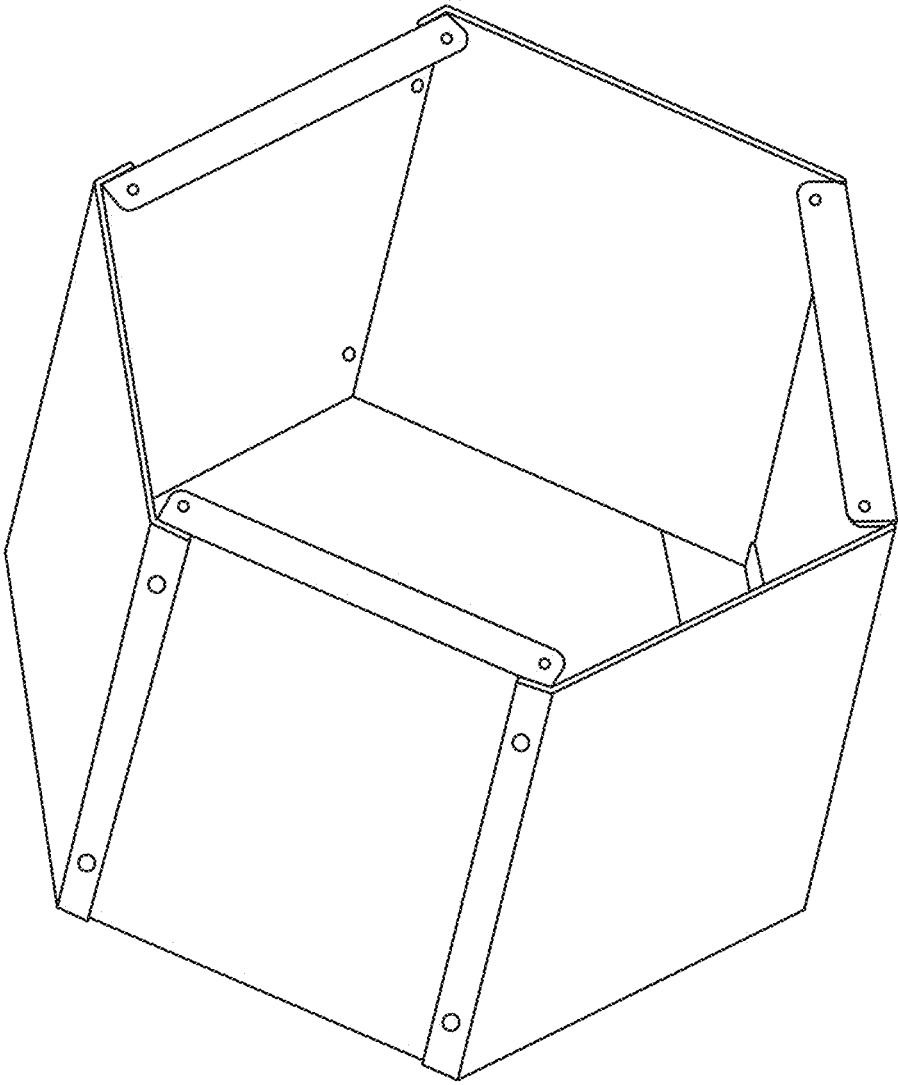


Fig.1

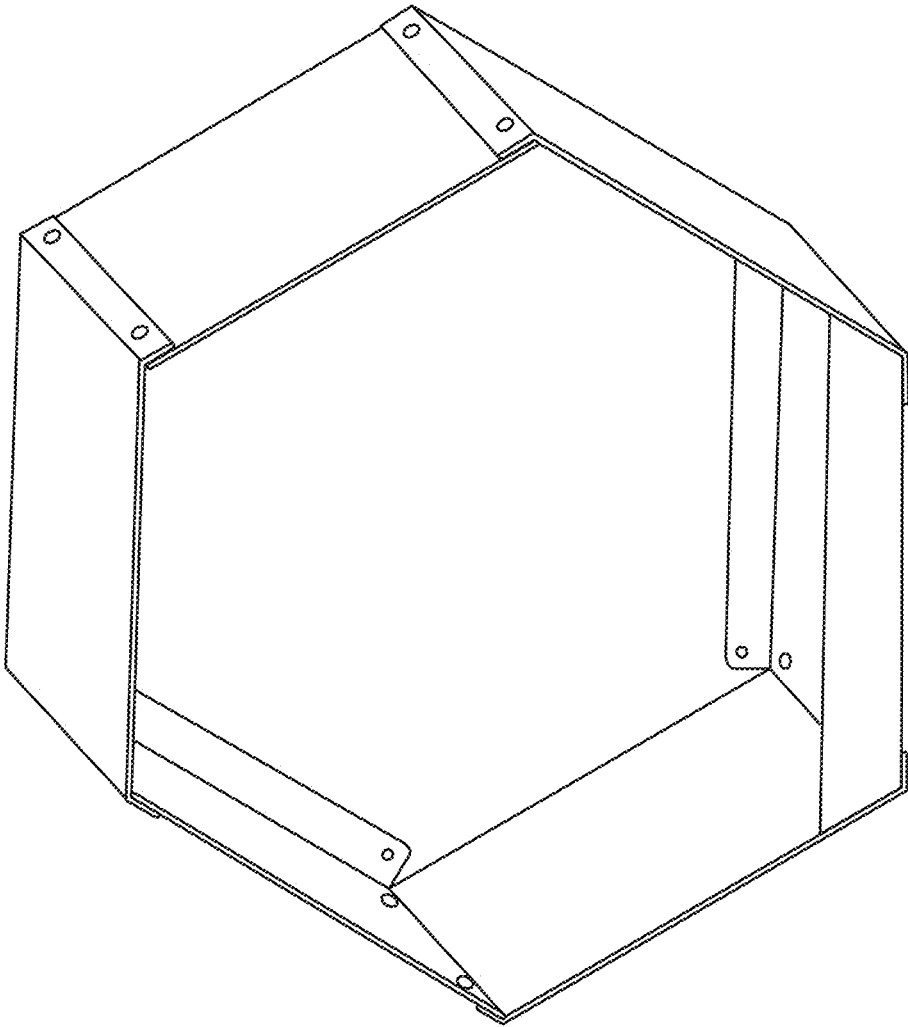


Fig.2

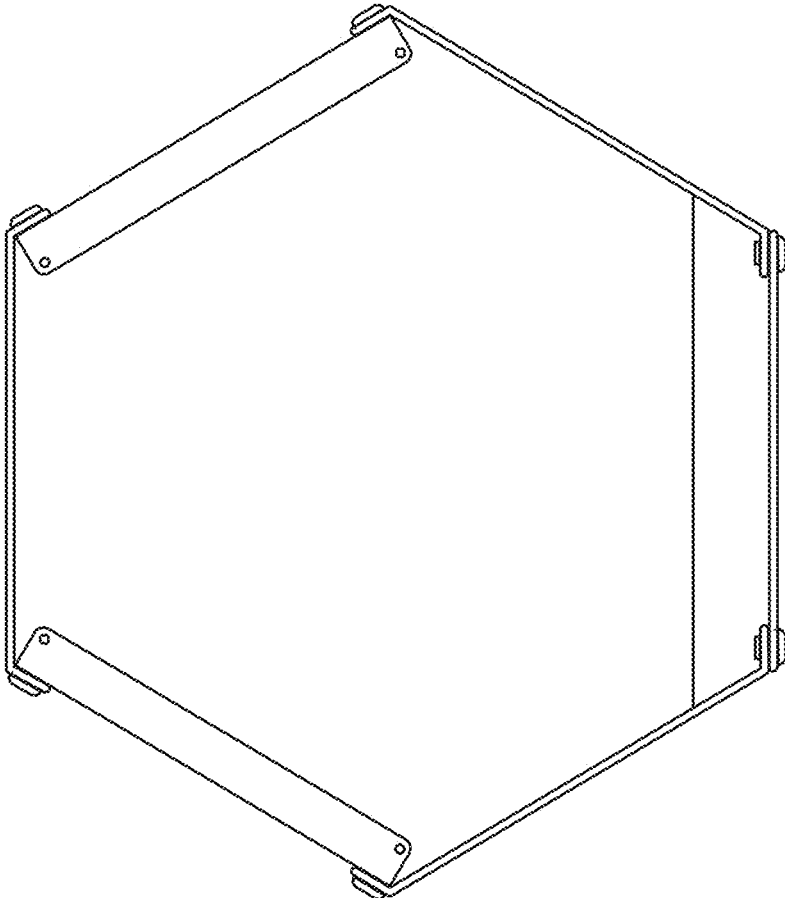


Fig.3

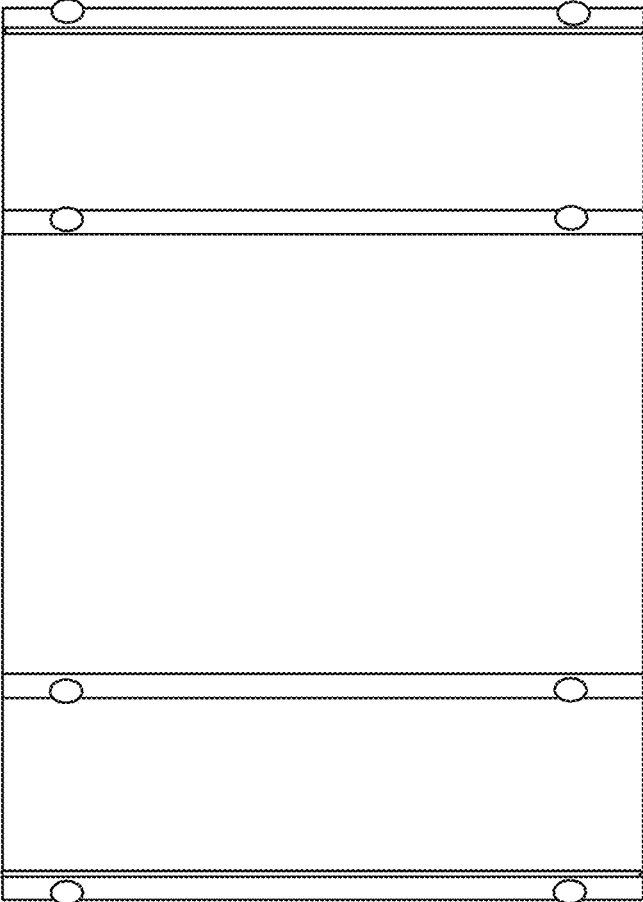


Fig.4

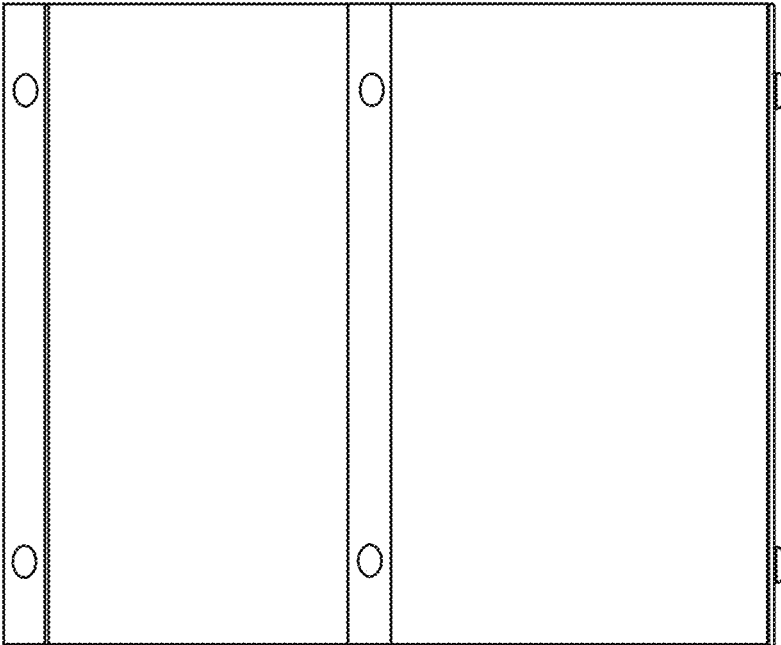


Fig.5