



US0D1027229S

(12) **United States Design Patent**  
**Peng**

(10) **Patent No.:** **US D1,027,229 S**

(45) **Date of Patent:** **\*\* May 14, 2024**

(54) **CAR LIGHT**

(71) Applicant: **Xiaoping Peng**, Macheng (CN)

(72) Inventor: **Xiaoping Peng**, Macheng (CN)

(\*\*) Term: **15 Years**

(21) Appl. No.: **29/790,224**

(22) Filed: **Nov. 12, 2021**

(30) **Foreign Application Priority Data**

Sep. 30, 2021 (CN) ..... 202130652026.5

(51) **LOC (14) Cl.** ..... **26-06**

(52) **U.S. Cl.**  
USPC ..... **D26/28**

(58) **Field of Classification Search**  
USPC ..... D26/28, 29, 30, 31, 32, 33, 34, 35, 36,  
D26/139, 63, 64, 66  
CPC ..... F21S 41/00; F21S 41/141; F21S 41/162;  
F21S 41/18; F21S 41/20; F21S 41/33;  
F21S 41/36; F21S 41/60; F21S 43/00;  
F21W 2103/35; F21W 2103/40; F21W  
2102/17; F21W 2102/30; F21W 2103/00;  
F21W 2103/55; F21W 2104/00; F21W  
2107/17; F21W 2107/13

See application file for complete search history.

(56) **References Cited**

**U.S. PATENT DOCUMENTS**

D690,853 S \* 10/2013 Huang ..... D26/28  
D724,244 S \* 3/2015 Hayez ..... D26/28

D776,308 S \* 1/2017 Huang ..... D26/28  
D808,551 S \* 1/2018 Chi ..... D26/28  
D823,500 S \* 7/2018 Liao ..... D26/28  
D869,065 S \* 12/2019 Spenner ..... D26/121  
D880,736 S \* 4/2020 Hu ..... D26/28  
D884,933 S \* 5/2020 Herre ..... D26/28  
D884,934 S \* 5/2020 Herre ..... D26/28  
D884,935 S \* 5/2020 Herre ..... D26/28  
D922,621 S \* 6/2021 Hu ..... D26/28  
D926,342 S \* 7/2021 Birtulescu ..... D26/36  
D993,472 S \* 7/2023 Luo ..... D26/28

\* cited by examiner

*Primary Examiner* — Angela J Lee

(74) *Attorney, Agent, or Firm* — Jose Cherson Weissbrot

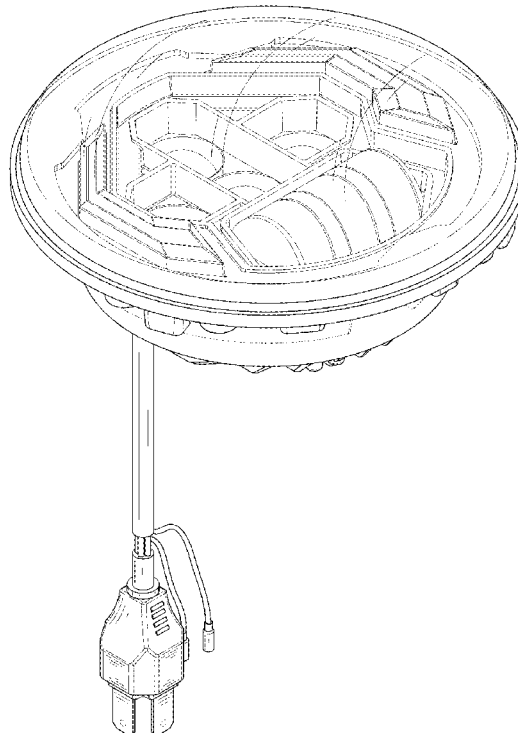
(57) **CLAIM**

The ornamental design for a car light, as shown and described.

**DESCRIPTION**

FIG. 1 is a first perspective view of a car light showing my new design;  
FIG. 2 is a second perspective view thereof;  
FIG. 3 is a front view thereof;  
FIG. 4 is a back view thereof;  
FIG. 5 is a left side view thereof;  
FIG. 6 is a right side view thereof;  
FIG. 7 is a top view thereof; and,  
FIG. 8 is a bottom view thereof.  
The broken lines shown in the drawings depict portions of the car light in which the design is embodied that form no part of the claimed design.

**1 Claim, 8 Drawing Sheets**



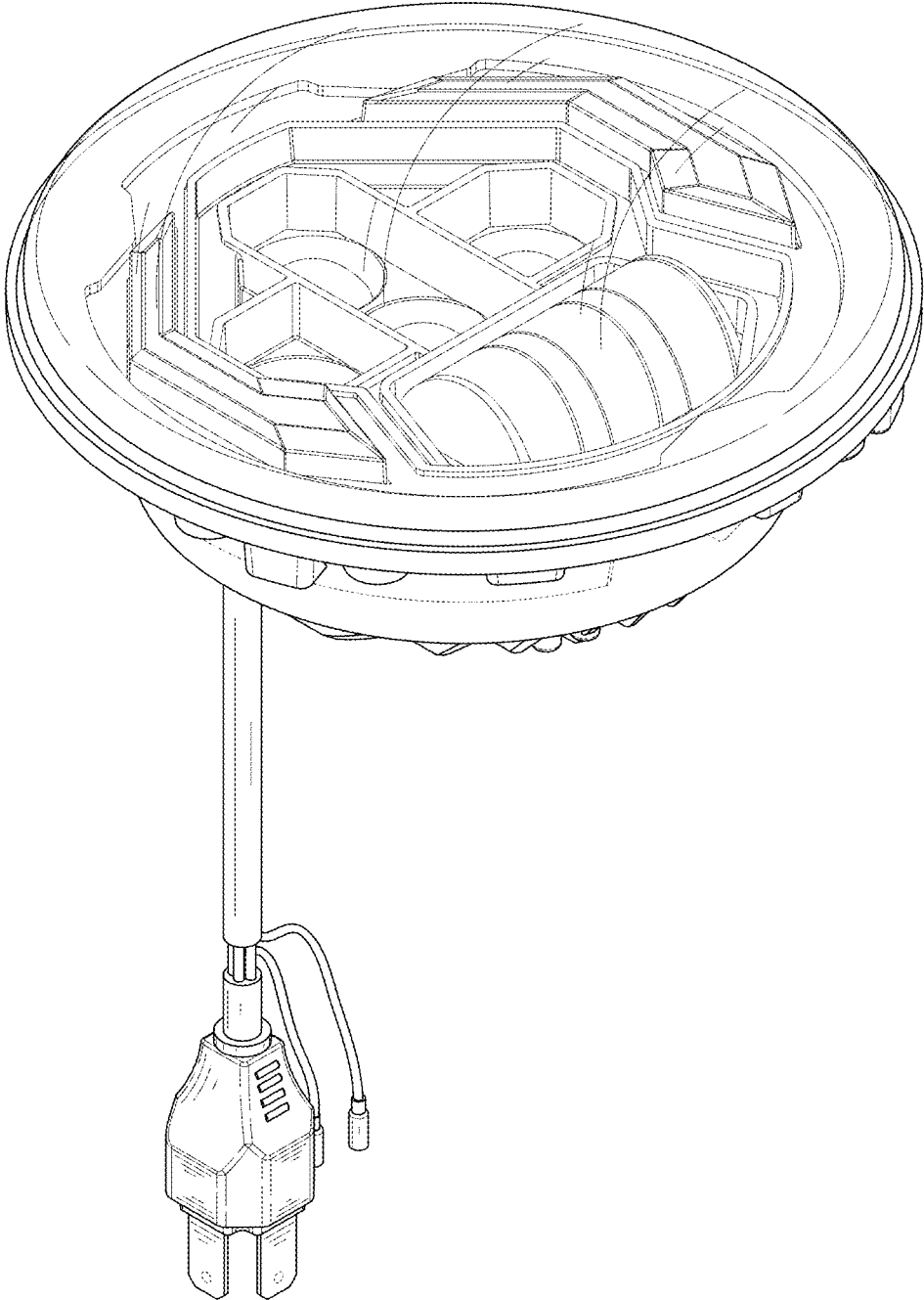


FIG. 1

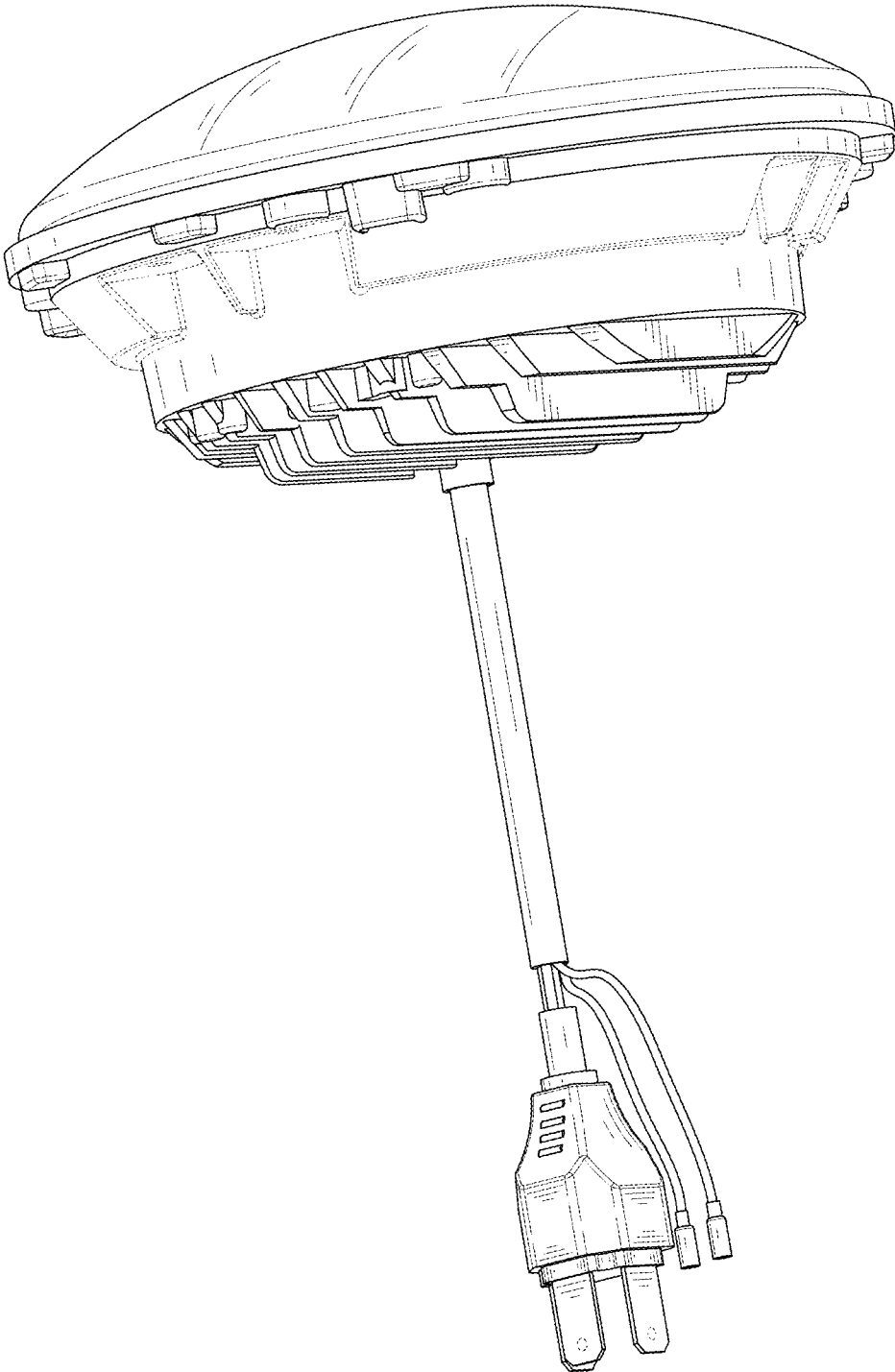


FIG. 2

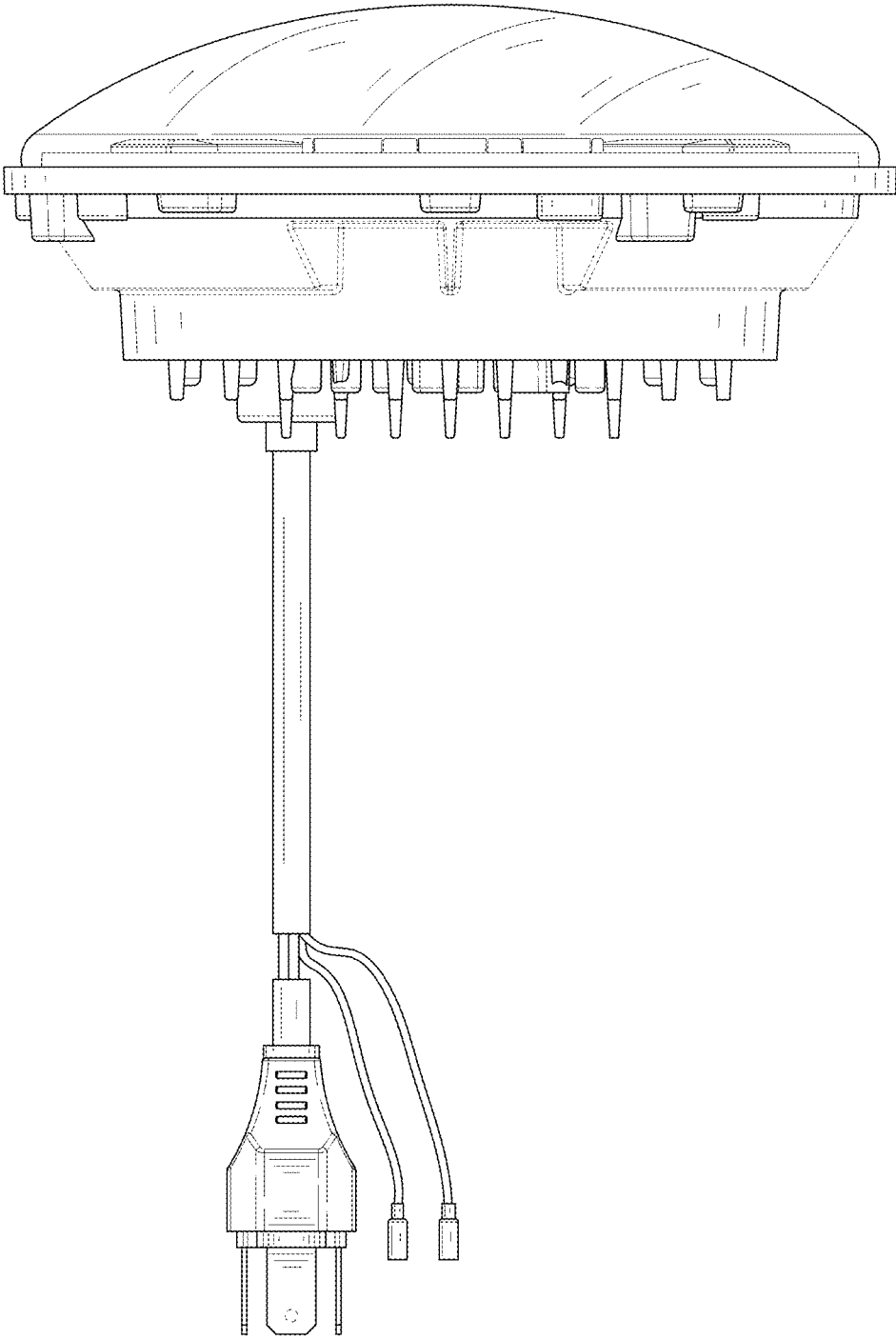


FIG. 3

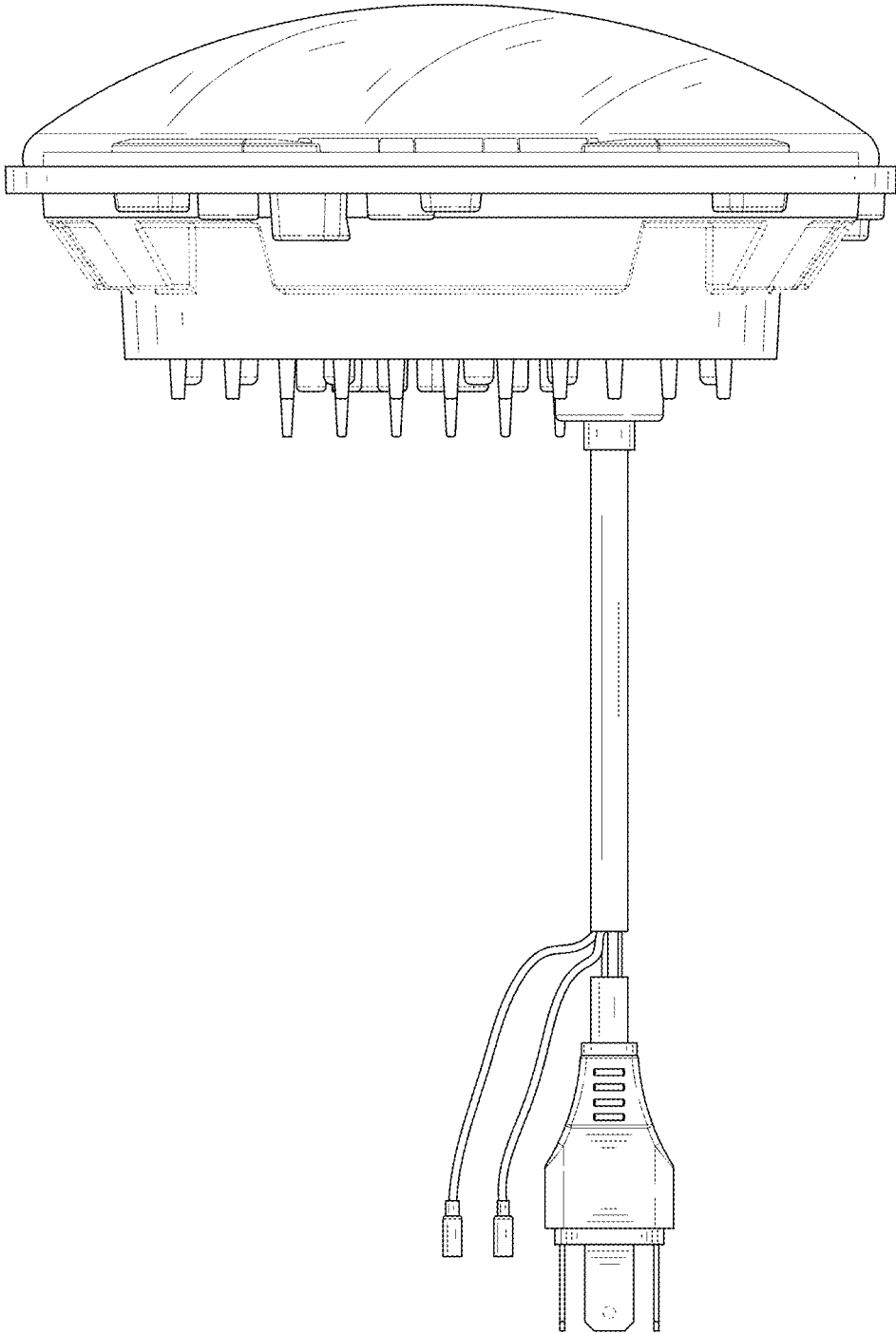


FIG. 4

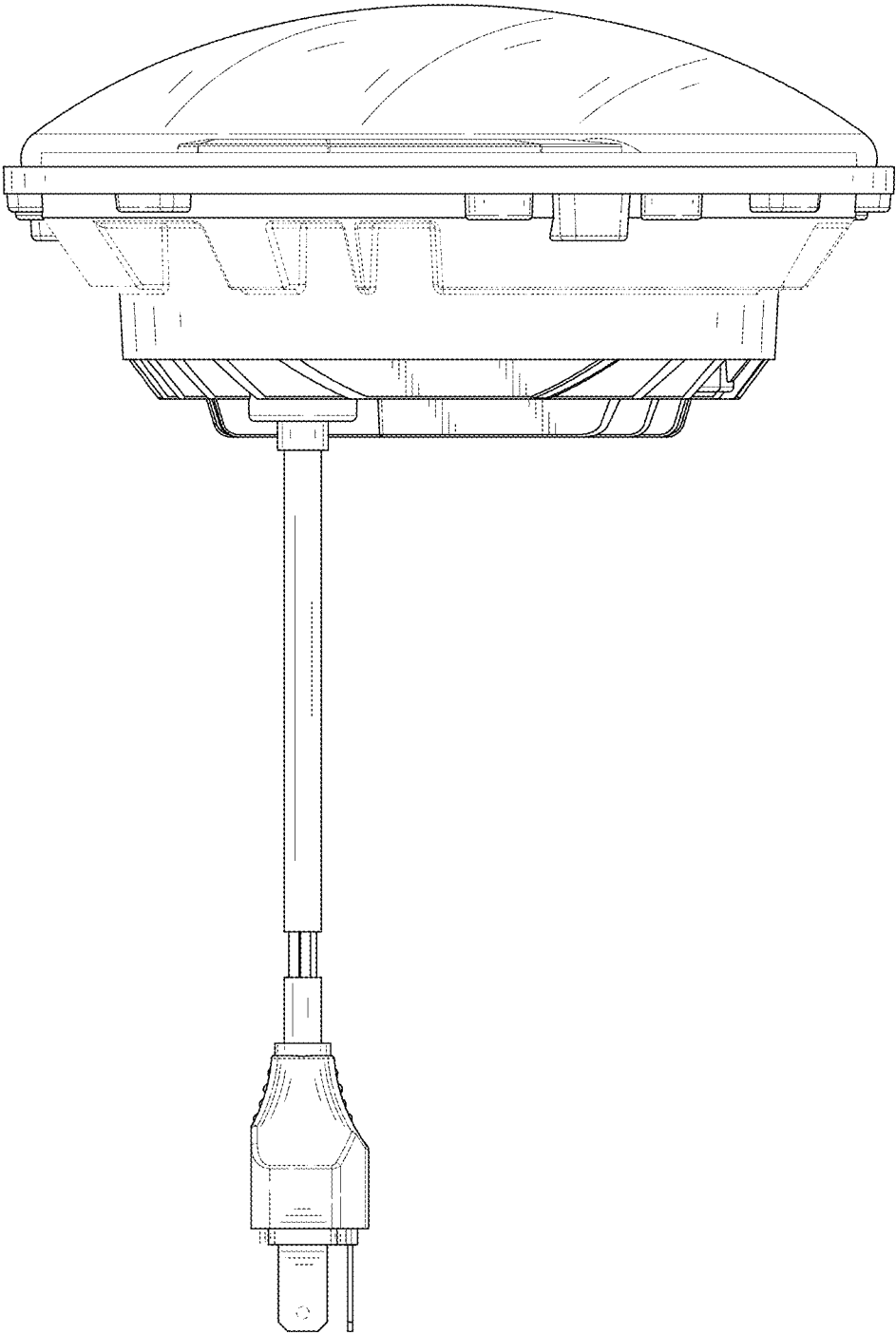


FIG. 5

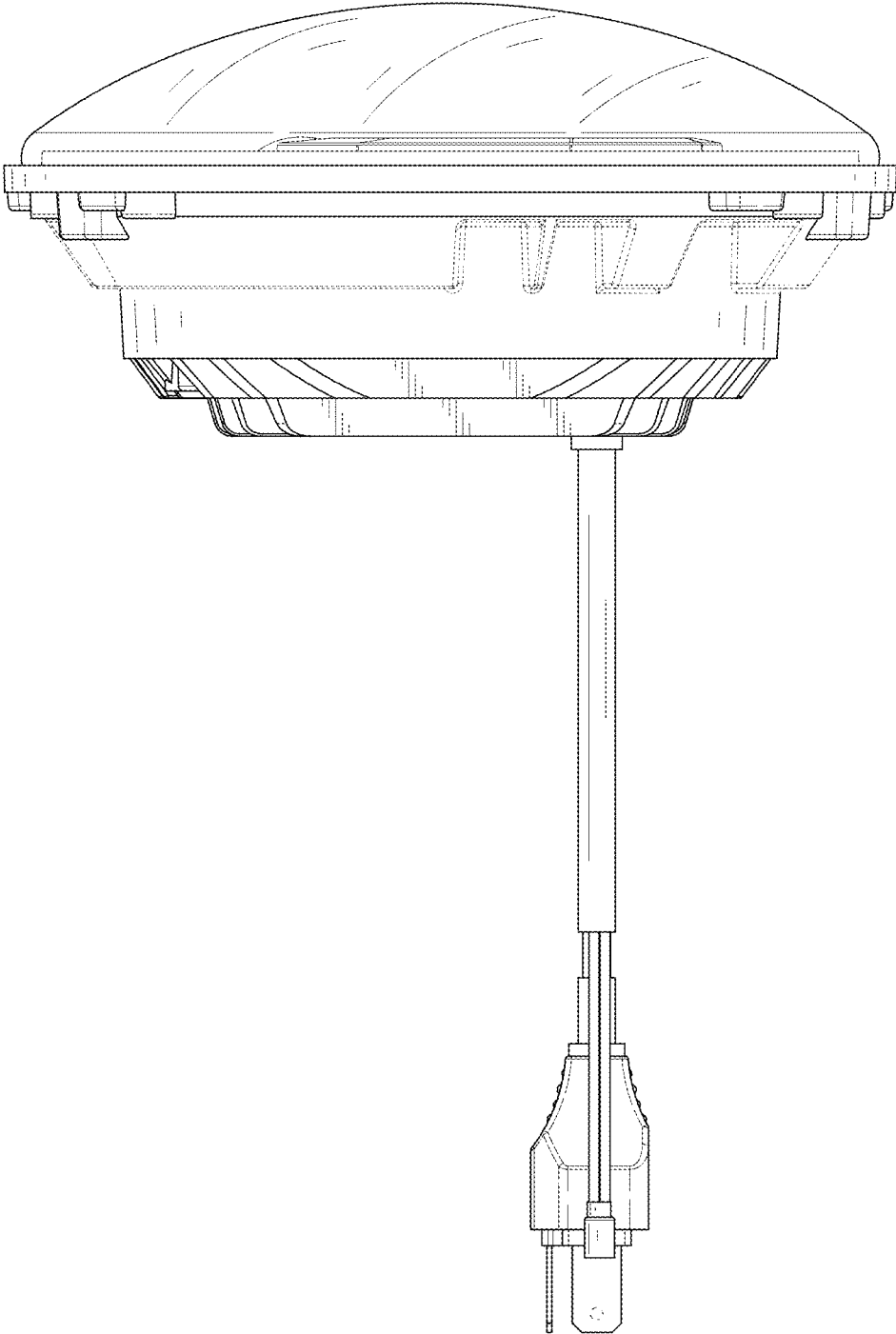


FIG. 6

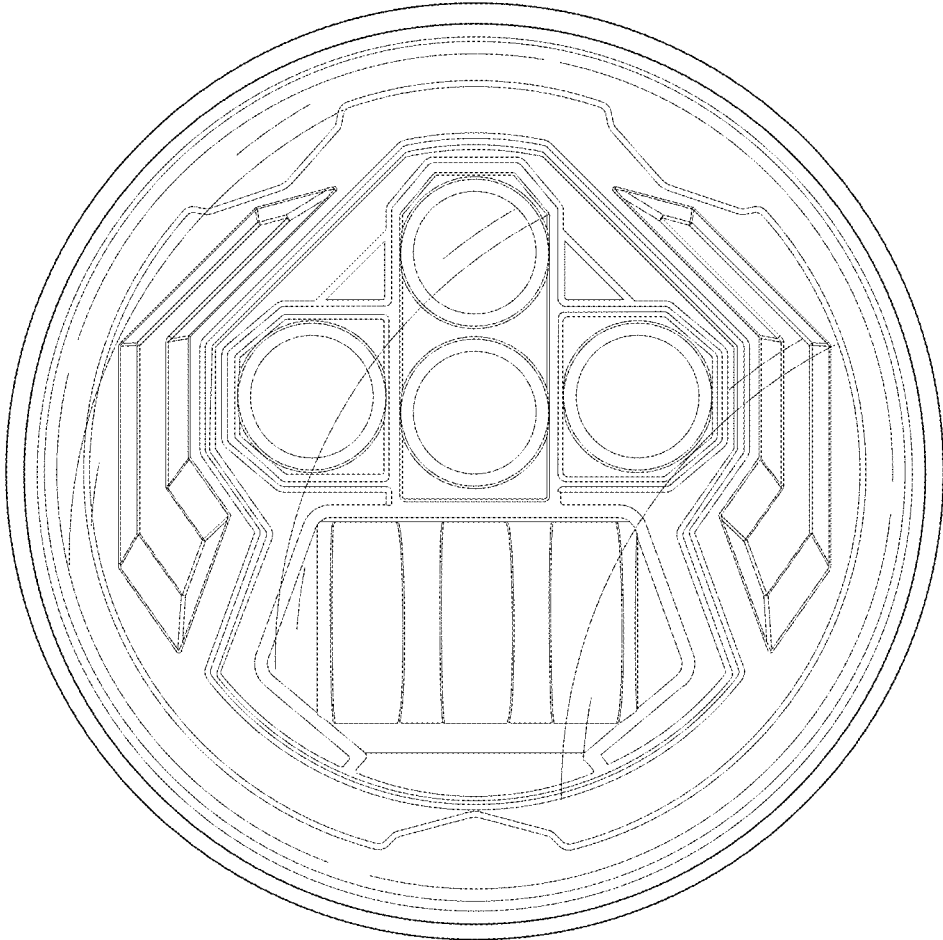


FIG. 7

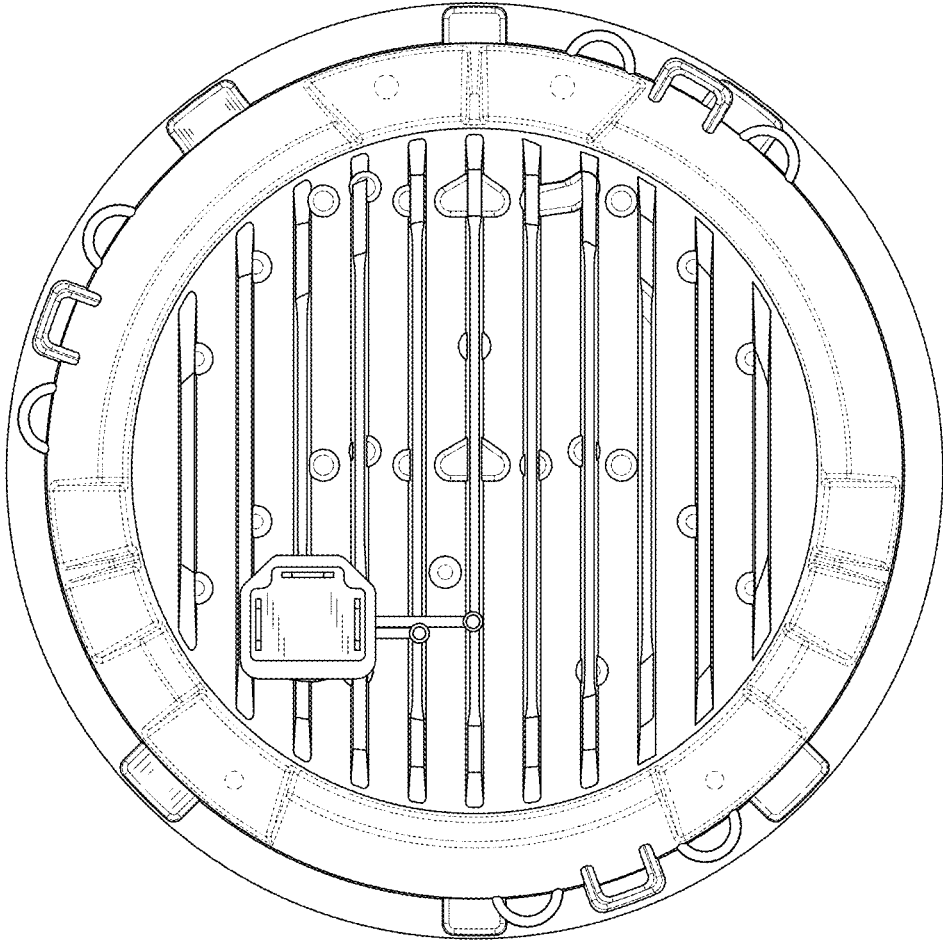


FIG. 8