

(19) World Intellectual Property Organization
International Bureau



(43) International Publication Date
22 May 2009 (22.05.2009)

PCT

(10) International Publication Number
WO 2009/063085 A3

(51) International Patent Classification:

C10L 11/06 (2006.01) C10L 5/44 (2006.01)
C10L 5/40 (2006.01) C10L 5/36 (2006.01)

(21) International Application Number:

PCT/EP2008/065623

(22) International Filing Date:

14 November 2008 (14.11.2008)

(25) Filing Language:

English

(26) Publication Language:

English

(30) Priority Data:

07120931.6 16 November 2007 (16.11.2007) EP

(71) Applicant and

(72) Inventor: MALONE, Shamus [IE/IE]; Jenkinstown Park, Jenkinstown, Kilkenny (IE).

(74) Agents: LANE, Cathal Michael et al.; Tomkins & Co., 5 Dartmouth Road, Dublin, 6 (IE).

(81) Designated States (unless otherwise indicated, for every kind of national protection available): AE, AG, AL, AM, AO, AT, AU, AZ, BA, BB, BG, BH, BR, BW, BY, BZ, CA, CH, CN, CO, CR, CU, CZ, DE, DK, DM, DO, DZ, EC, EE, EG, ES, FI, GB, GD, GE, GH, GM, GT, HN,

HR, HU, ID, IL, IN, IS, JP, KE, KG, KM, KN, KP, KR, KZ, LA, LC, LK, LR, LS, LT, LU, LY, MA, MD, ME, MG, MK, MN, MW, MX, MY, MZ, NA, NG, NI, NO, NZ, OM, PG, PH, PL, PT, RO, RS, RU, SC, SD, SE, SG, SK, SL, SM, ST, SV, SY, TJ, TM, TN, TR, TT, TZ, UA, UG, US, UZ, VC, VN, ZA, ZM, ZW.

(84) Designated States (unless otherwise indicated, for every kind of regional protection available): ARIPO (BW, GH, GM, KE, LS, MW, MZ, NA, SD, SL, SZ, TZ, UG, ZM, ZW), Eurasian (AM, AZ, BY, KG, KZ, MD, RU, TJ, TM), European (AT, BE, BG, CH, CY, CZ, DE, DK, EE, ES, FI, FR, GB, GR, HR, HU, IE, IS, IT, LT, LU, LV, MC, MT, NL, NO, PL, PT, RO, SE, SI, SK, TR), OAPI (BF, BJ, CF, CG, CI, CM, GA, GN, GQ, GW, ML, MR, NE, SN, TD, TG).

Published:

- with international search report (Art. 21(3))
- before the expiration of the time limit for amending the claims and to be republished in the event of receipt of amendments (Rule 48.2(h))

(88) Date of publication of the international search report:
24 September 2009

(54) Title: COMBUSTIBLE MATERIALS

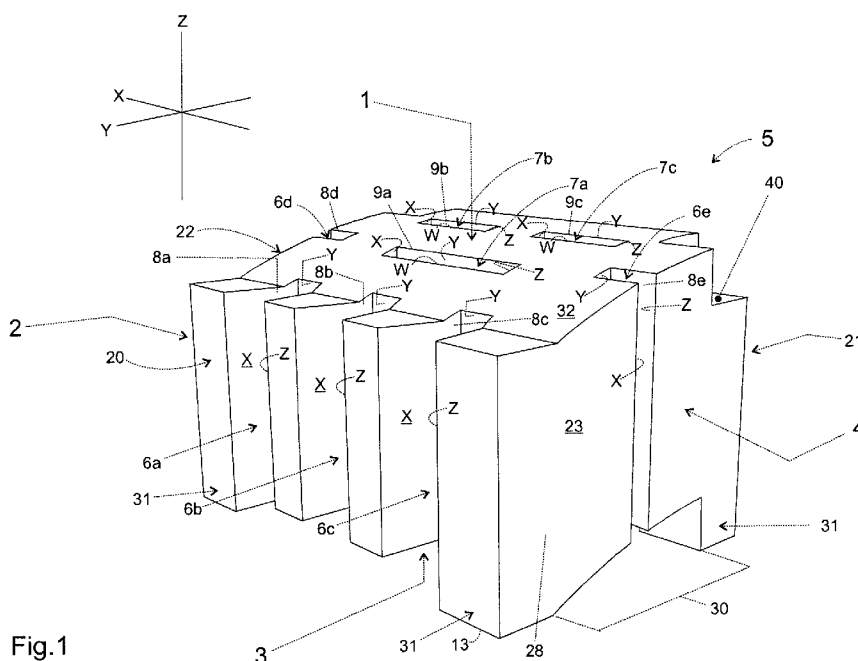


Fig. 1

(57) Abstract: A combustibile fire block for providing sustained heat output having a combustibile fire block body formed from combustibile material pressed into a mass and having a base, an intermediate portion and a top; at least one fire propagation pathway formed within the body, said fire propagation pathway running between an opening in the base and an opening in the top and being defined by internal walls of the body the pathway being dimensioned so as to allow the block to burn by propagation of fire along the internal walls defining the pathway. The fire block will form an entire fire. A firefighter comprising a body of fire ignition material in the form of a webbed profile onto which a fuel to be ignited for combustion can be placed is also provided.

WO 2009/063085 A3

INTERNATIONAL SEARCH REPORT

International application No
PCT/EP2008/065623

A. CLASSIFICATION OF SUBJECT MATTER		
INV. C10L11/06	C10L5/40	C10L5/44 C10L5/36
According to International Patent Classification (IPC) or to both national classification and IPC		
B. FIELDS SEARCHED		
Minimum documentation searched (classification system followed by classification symbols) C10L		
Documentation searched other than minimum documentation to the extent that such documents are included in the fields searched		
Electronic data base consulted during the international search (name of data base and, where practical, search terms used) EPO-Internal		
C. DOCUMENTS CONSIDERED TO BE RELEVANT		
Category*	Citation of document, with indication, where appropriate, of the relevant passages	Relevant to claim No.
X	DE 200 01 115 U1 (HOHENLOHE-WALDENBURG, FUERST ZU) 27 April 2000 (2000-04-27) column 6, paragraph 2 page 8, paragraph 2 - page 9, paragraph 3 claims 1-21; figures 1-11 -----	1-83
X	GB 2 306 502 A (DUFFCO [ZA]) 7 May 1997 (1997-05-07) claims 1-30; figures 1-10 page 16, line 21 - page 18, line 3 page 3, line 12 - page 4, line 25 page 6, line 21 - page 7, line 9 page 8, lines 1-19 -----	1-68
X	EP 0 276 697 A (KIMBERLY CLARK CO [US]) 3 August 1988 (1988-08-03) page 4, lines 54-57 page 5, lines 20-40; figures 1-3 ----- -/--	1-68
<input checked="" type="checkbox"/> Further documents are listed in the continuation of Box C. <input checked="" type="checkbox"/> See patent family annex.		
* Special categories of cited documents :		
A document defining the general state of the art which is not considered to be of particular relevance *E* earlier document but published on or after the international filing date *L* document which may throw doubts on priority claim(s) or which is cited to establish the publication date of another citation or other special reason (as specified) *O* document referring to an oral disclosure, use, exhibition or other means *P* document published prior to the international filing date but later than the priority date claimed	*T* later document published after the international filing date or priority date and not in conflict with the application but cited to understand the principle or theory underlying the invention *X* document of particular relevance; the claimed invention cannot be considered novel or cannot be considered to involve an inventive step when the document is taken alone *Y* document of particular relevance; the claimed invention cannot be considered to involve an inventive step when the document is combined with one or more other such documents, such combination being obvious to a person skilled in the art. *&* document member of the same patent family	
Date of the actual completion of the international search	Date of mailing of the international search report	
14 July 2009	22/07/2009	
Name and mailing address of the ISA/ European Patent Office, P.B. 5818 Patentlaan 2 NL - 2280 HV Rijswijk Tel. (+31-70) 340-2040, Fax: (+31-70) 340-3016	Authorized officer Bertin, Séverine	

INTERNATIONAL SEARCH REPORT

International application No
PCT/EP2008/065623

C(Continuation). DOCUMENTS CONSIDERED TO BE RELEVANT		
Category*	Citation of document, with indication, where appropriate, of the relevant passages	Relevant to claim No.
X	GB 2 150 594 A (MAJOOR JOOST EDUARD) 3 July 1985 (1985-07-03) page 1, lines 66-97; claims 1-11; figures 1,2	1-10, 12-28, 30-50
X	US 2 933 378 A (MUSTIN FRANK H ET AL) 19 April 1960 (1960-04-19) claims 1-6; figures 1-10	1-68
X	DE 33 11 120 A1 (GUMMI JAEGER KG GMBH & CIE [DE]) 27 September 1984 (1984-09-27) abstract; claims 1-15; figures 1-4	17-68
X	EP 0 069 024 A (FRERES LAURENT & FRERE BEAU SA [FR]) 5 January 1983 (1983-01-05) cited in the application abstract; claims 1-8; figures 1-6	1-68
X	US 6 379 405 B1 (REIGER CRAIG M [US] ET AL) 30 April 2002 (2002-04-30) cited in the application abstract; claims 1-3; figures 1-11	1-68
X	US 2006/162244 A1 (HSIAO JEN-TE [TW]) 27 July 2006 (2006-07-27) cited in the application abstract; claims 1-9; figures 1-7	17-68
X	US 2006/130395 A1 (ROTH LINDA D [US]) 22 June 2006 (2006-06-22) abstract; claims; figures	69-83
X	US 3 374 071 A (CORRIHER JR HENRY A ET AL) 19 March 1968 (1968-03-19) column 7, line 21 - column 8, line 9; claims; figures	69-83
X	WO 02/055638 A (VAN HARTESVELDT JEAN JACQUES [FR]) 18 July 2002 (2002-07-18) abstract; claims; figures	69-83
X	WO 03/066786 A (MBZQ L L C [US]) 14 August 2003 (2003-08-14) abstract; claims; figures	69-83
X	FR 2 814 357 A (BERNARD NOEL MARIE LUC PIERRE [FR]) 29 March 2002 (2002-03-29) abstract; claims; figures	69-83
X	WO 2005/111506 A (PAPLINSKI DENNIS M [US]) 24 November 2005 (2005-11-24) abstract; claims; figures	69-83
	-/--	

INTERNATIONAL SEARCH REPORT

International application No

PCT/EP2008/065623

C(Continuation). DOCUMENTS CONSIDERED TO BE RELEVANT

Category*	Citation of document, with indication, where appropriate, of the relevant passages	Relevant to claim No.
X	FR 2 743 569 A (CASTERS LAURENT [FR]) 18 July 1997 (1997-07-18) abstract; claims; figures -----	69-83

INTERNATIONAL SEARCH REPORT

International application No.
PCT/EP2008/065623

Box No. II Observations where certain claims were found unsearchable (Continuation of item 2 of first sheet)

This international search report has not been established in respect of certain claims under Article 17(2)(a) for the following reasons:

1. Claims Nos.:
because they relate to subject matter not required to be searched by this Authority, namely:

2. Claims Nos.:
because they relate to parts of the international application that do not comply with the prescribed requirements to such an extent that no meaningful international search can be carried out, specifically:

3. Claims Nos.:
because they are dependent claims and are not drafted in accordance with the second and third sentences of Rule 6.4(a).

Box No. III Observations where unity of invention is lacking (Continuation of item 3 of first sheet)

This International Searching Authority found multiple inventions in this international application, as follows:

see additional sheet

1. As all required additional search fees were timely paid by the applicant, this international search report covers allsearchable claims.
2. As all searchable claims could be searched without effort justifying an additional fees, this Authority did not invite payment of additional fees.
3. As only some of the required additional search fees were timely paid by the applicant, this international search report covers only those claims for which fees were paid, specifically claims Nos.:
4. No required additional search fees were timely paid by the applicant. Consequently, this international search report is restricted to the invention first mentioned in the claims; It is covered by claims Nos.:

Remark on Protest

- The additional search fees were accompanied by the applicant's protest and, where applicable, the payment of a protest fee.
- The additional search fees were accompanied by the applicant's protest but the applicable protest fee was not paid within the time limit specified in the invitation.
- No protest accompanied the payment of additional search fees.

FURTHER INFORMATION CONTINUED FROM PCT/ISA/ 210

This International Searching Authority found multiple (groups of) inventions in this international application, as follows:

1. claims: 1-68,82

Combustible fire block body with at least one fire propagation pathway

2. claims: 69-81,83

Firelighter in the form of a webbed profile

INTERNATIONAL SEARCH REPORT

Information on patent family members

International application No

PCT/EP2008/065623

Patent document cited in search report		Publication date	Patent family member(s)	Publication date
DE 20001115	U1	27-04-2000	NONE	
GB 2306502	A	07-05-1997	AU 3453295 A ZA 9405866 A	01-05-1997 29-01-1996
EP 0276697	A	03-08-1988	AU 1027288 A JP 63264697 A US 4834774 A	21-07-1988 01-11-1988 30-05-1989
GB 2150594	A	03-07-1985	AU 3627884 A DE 3444180 A1 ES 289720 U FR 2556003 A1 JP 60186596 A	13-06-1985 13-06-1985 01-06-1986 07-06-1985 24-09-1985
US 2933378	A	19-04-1960	NONE	
DE 3311120	A1	27-09-1984	NONE	
EP 0069024	A	05-01-1983	DE 3276946 D1 FR 2508484 A1	17-09-1987 31-12-1982
US 6379405	B1	30-04-2002	AU 6252694 A CA 2157001 A1 EP 0686184 A1 WO 9419432 A1	14-09-1994 01-09-1994 13-12-1995 01-09-1994
US 2006162244	A1	27-07-2006	NONE	
US 2006130395	A1	22-06-2006	NONE	
US 3374071	A	19-03-1968	NONE	
WO 02055638	A	18-07-2002	NL 1016992 C2	28-06-2002
WO 03066786	A	14-08-2003	AU 2003201492 A1 CA 2474961 A1 CN 1643118 A NZ 535028 A US 2006174539 A1 ZA 200406136 A	02-09-2003 14-08-2003 20-07-2005 30-03-2007 10-08-2006 20-09-2005
FR 2814357	A	29-03-2002	NONE	
WO 2005111506	A	24-11-2005	NONE	
FR 2743569	A	18-07-1997	NONE	