



US00D366071S

United States Patent [19] Harrod

[11] Patent Number: **Des. 366,071**
[45] Date of Patent: ****Jan. 9, 1996**

[54] **RIDING TOY DUMP TRUCK**
[75] Inventor: **Lawrence R. Harrod**, Fort Wayne, Ind.
[73] Assignee: **Mattel, Inc.**, El Segundo, Calif.
[**] Term: **14 Years**

[21] Appl. No.: **27,287**
[22] Filed: **Aug. 17, 1994**
[52] U.S. Cl. **D21/78**
[58] Field of Search D21/59, 71, 73-79,
D21/128, 132, 134, 136, 141, 137, 148,
188; 446/427, 428, 456, 465, 470; 280/1.13,
8.28, 87.021

[56] **References Cited**
U.S. PATENT DOCUMENTS
D. 244,101 4/1977 Goldberg D21/76
D. 271,315 11/1983 Nottingham et al. D21/79
D. 292,009 9/1987 Harrod D21/76
3,703,785 11/1972 Pfeilsticker 446/427

OTHER PUBLICATIONS
Playthings, Feb. 1976 p. 271 Truck lower right side of page.
Just For Kids, Fall 1990 p. 34 Tractor & Cart lower left of page.

Tomy Toy Catalog, 1984, p. Truck Top right side of page.

Primary Examiner—Ted Shooman
Assistant Examiner—R. Barkai
Attorney, Agent, or Firm—Kolisch, Hartwell, Dickinson,
McCormack & Heuser

[57] CLAIM

The ornamental design for a riding toy dump truck, as shown.

DESCRIPTION

FIG. 1 is a perspective view of a riding toy dump truck showing my new design;
FIG. 2 is a right elevation thereof;
FIG. 3 is a left elevation thereof;
FIG. 4 is a top plan view thereof;
FIG. 5 is a bottom plan view thereof;
FIG. 6 is a front elevation thereof; and,
FIG. 7 is a rear elevation thereof.

1 Claim, 6 Drawing Sheets

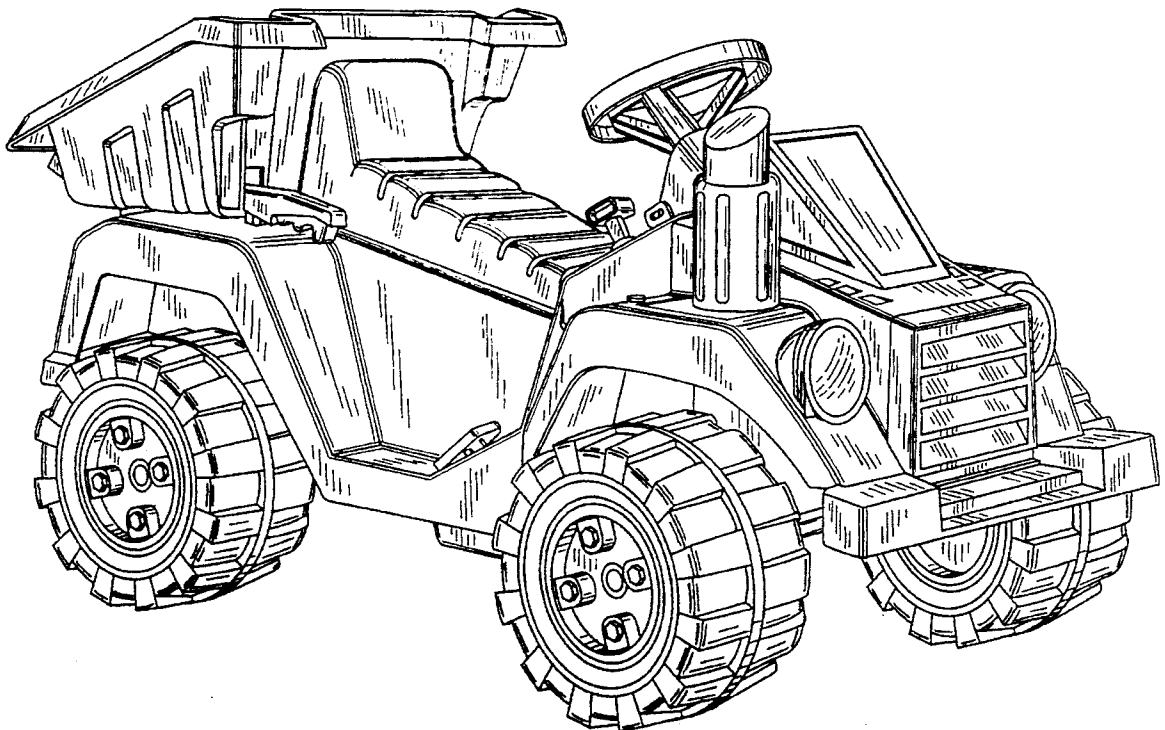
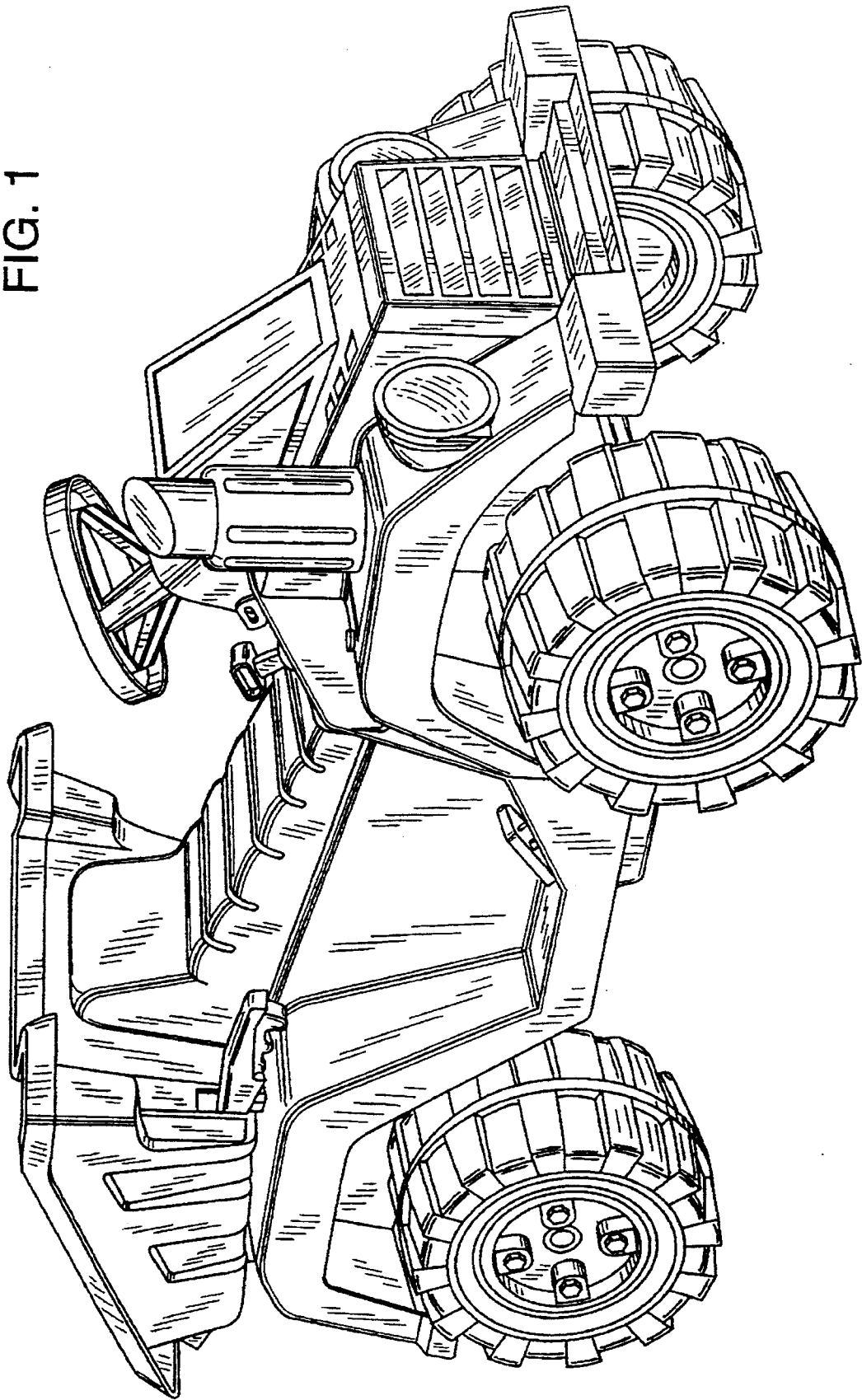


FIG. 1



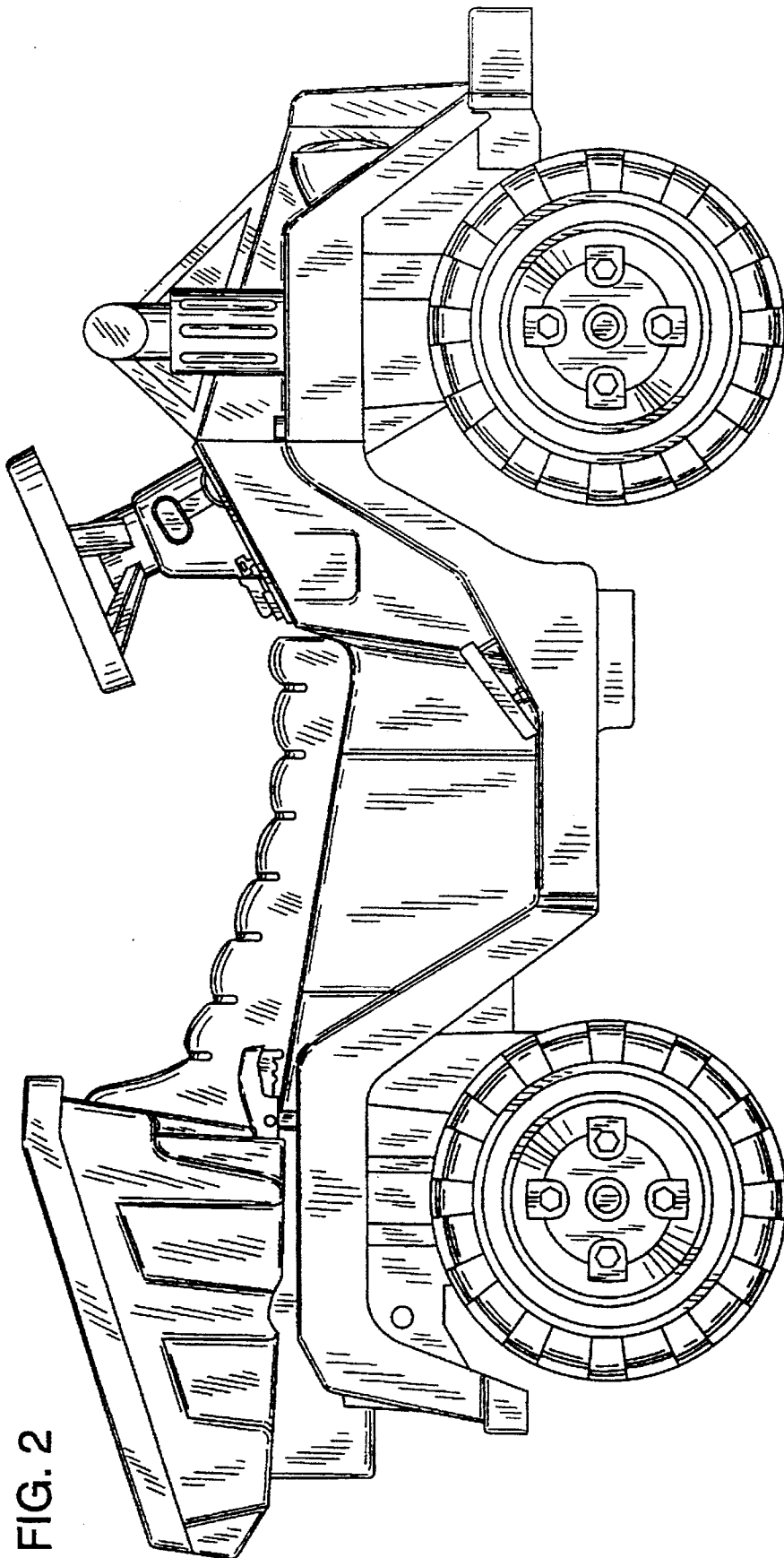


FIG. 2

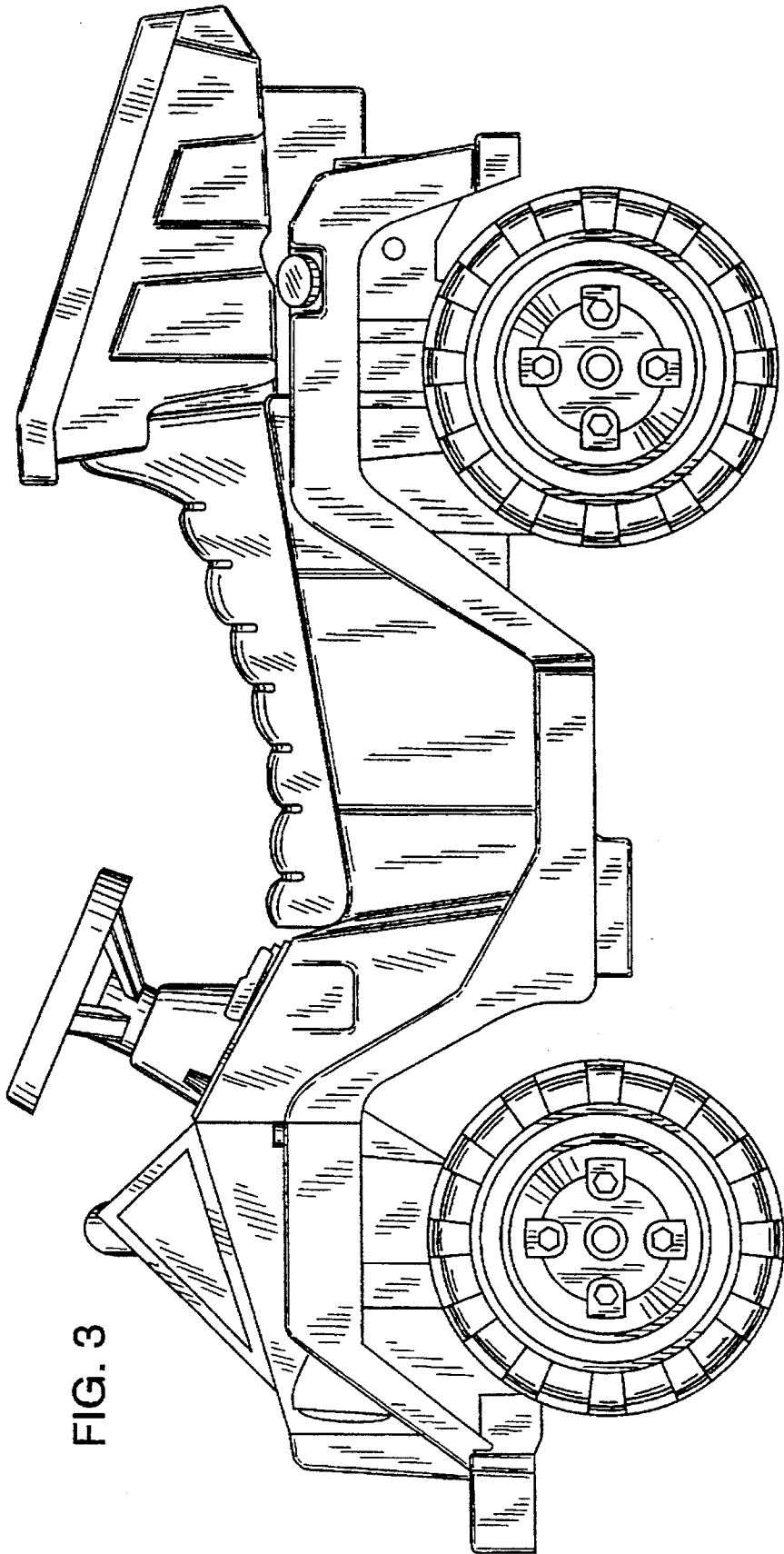


FIG. 3

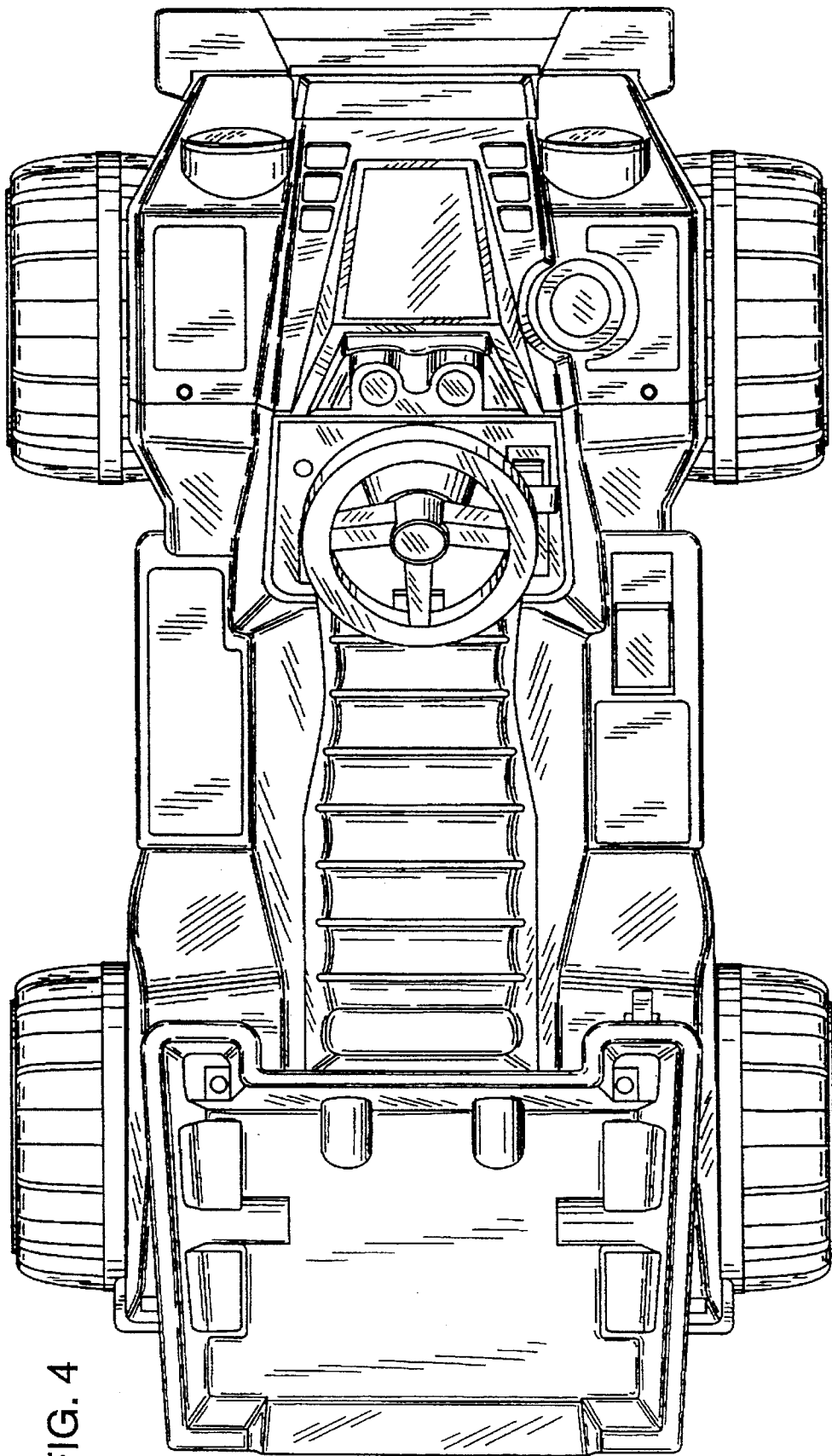


FIG. 4

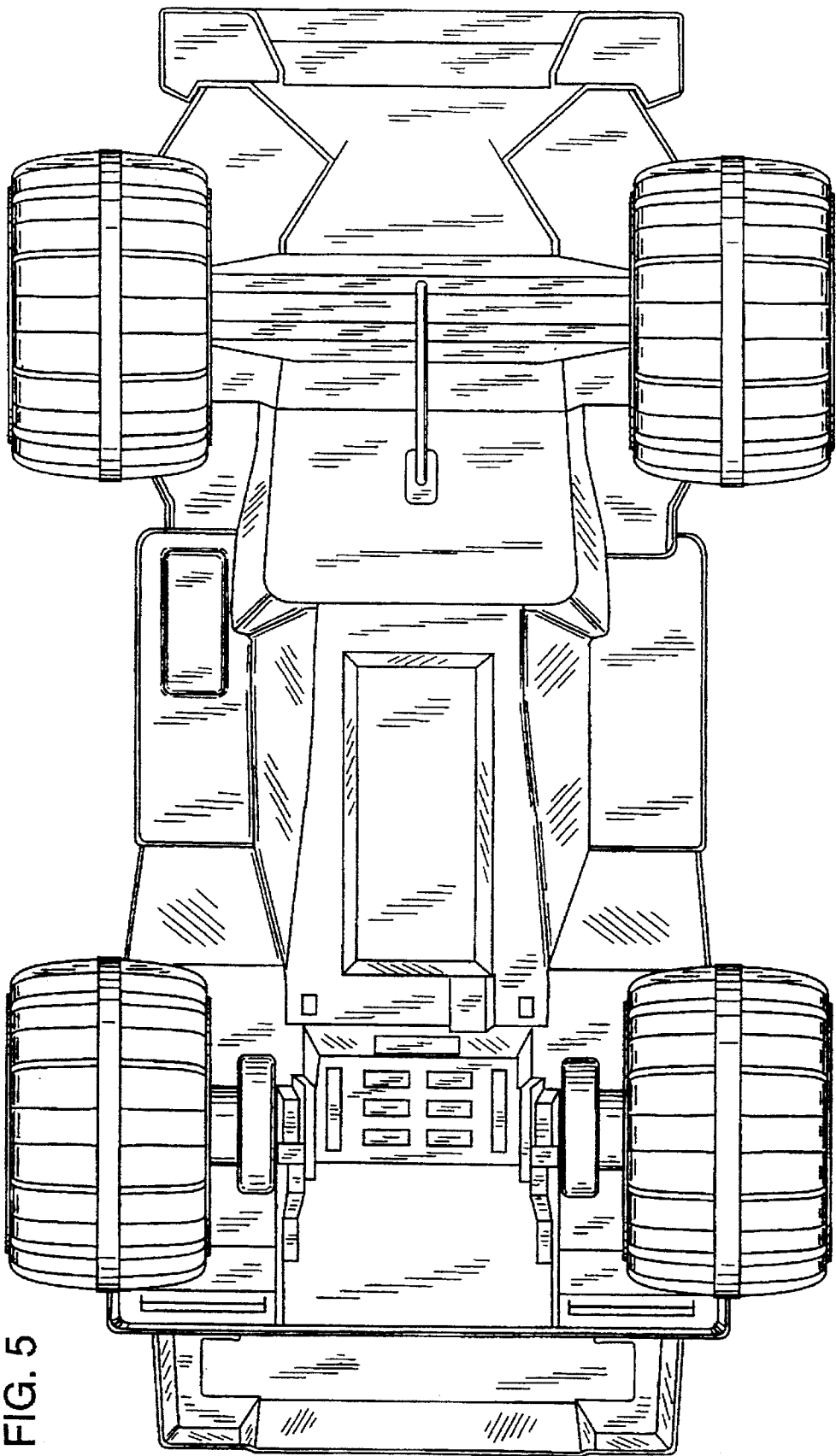


FIG. 5

FIG. 6

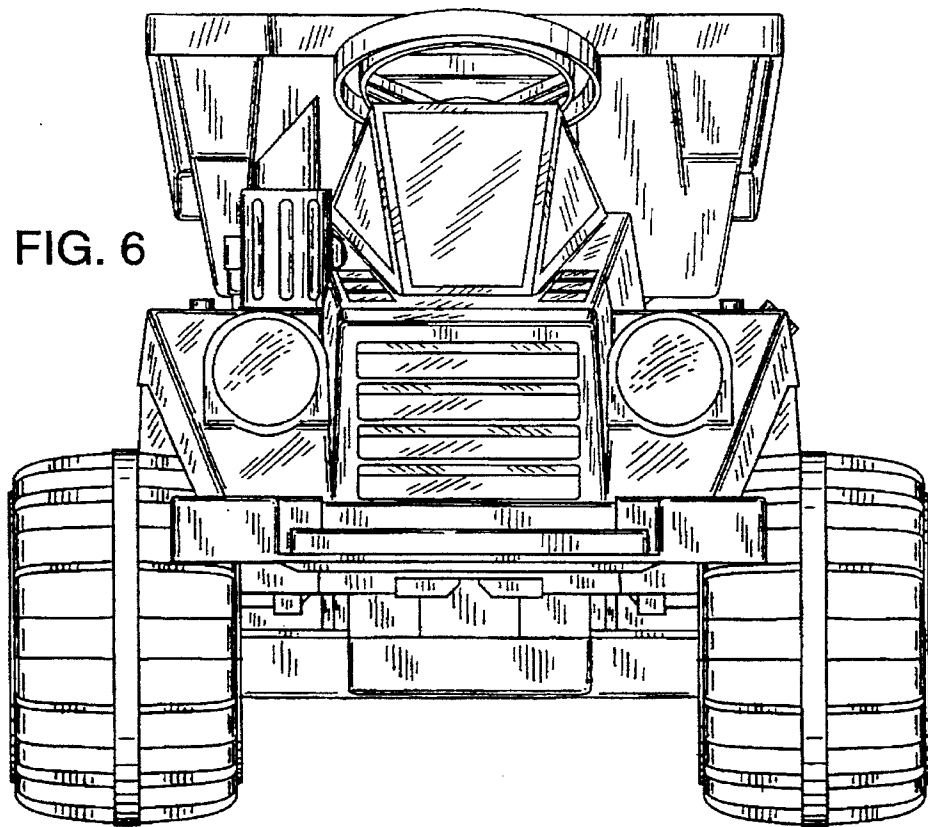


FIG. 7

