

(19) World Intellectual Property Organization
International Bureau



(43) International Publication Date
18 October 2001 (18.10.2001)

PCT

(10) International Publication Number
WO 01/77991 A3

(51) International Patent Classification⁷: **G10L 17/00**

(21) International Application Number: PCT/IL01/00342

(22) International Filing Date: 12 April 2001 (12.04.2001)

(25) Filing Language: English

(26) Publication Language: English

(30) Priority Data:
60/196,864 12 April 2000 (12.04.2000) US

(71) Applicant (for all designated States except US): **CONFIGATE INC.** [US/US]; 1013 Centre Road, Wilmington, DE (US).

(72) Inventors; and

(75) Inventors/Applicants (for US only): **GLAZER, Yariv**

[IL/IL]; Moshav Beer Tuvia, ... 83 815 . (IL). **MELAMED, Tamir** [IL/IL]; Matan, Hadar Street 134, 45 858 M.P. Hasharon Hatichon (IL). **KOPILOVITZ, Israel** [IL/IL]; 14 Shpinoza St., 76452 Rehovot (IL).

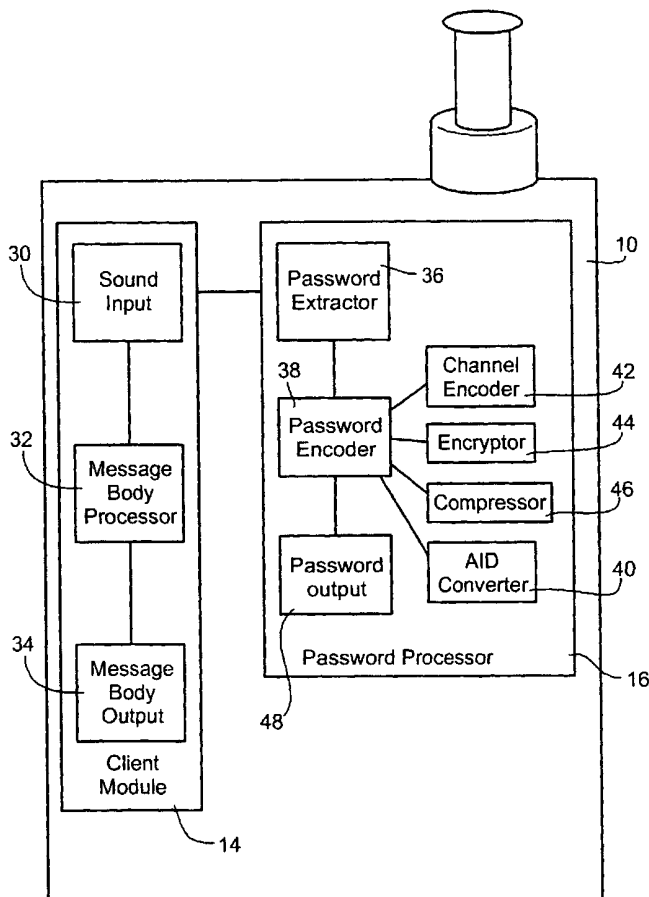
(74) Agent: **G. E. EHRlich (1995) LTD.**; 28 Bezalel Street, 52 521 Ramat Gan (IL).

(81) Designated States (national): AE, AG, AL, AM, AT, AU, AZ, BA, BB, BG, BR, BY, BZ, CA, CH, CN, CO, CR, CU, CZ, DE, DK, DM, DZ, EE, ES, FI, GB, GD, GE, GH, GM, HR, HU, ID, IL, IN, IS, JP, KE, KG, KP, KR, KZ, LC, LK, LR, LS, LT, LU, LV, MA, MD, MG, MK, MN, MW, MX, MZ, NO, NZ, PL, PT, RO, RU, SD, SE, SG, SI, SK, SL, TJ, TM, TR, TT, TZ, UA, UG, US, UZ, VN, YU, ZA, ZW.

(84) Designated States (regional): ARIPO patent (GH, GM, KE, LS, MW, MZ, SD, SL, SZ, TZ, UG, ZW), Eurasian patent (AM, AZ, BY, KG, KZ, MD, RU, TJ, TM), European patent (AT, BE, CH, CY, DE, DK, ES, FI, FR, GB, GR, IE,

[Continued on next page]

(54) Title: VOICE-BASED AUTHENTICATION OVER A NOISY CHANNEL



(57) Abstract: A remote communication terminal (10) for verified communication. A spoken password is input (30) which is extracted (36) and encoded (38). The result is encrypted (44) for secure transmission (48).



WO 01/77991 A3



IT, LU, MC, NL, PT, SE, TR), OAPI patent (BF, BJ, CF, CG, CI, CM, GA, GN, GW, ML, MR, NE, SN, TD, TG).

(88) Date of publication of the international search report:

28 February 2002

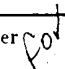
Published:

— with international search report

For two-letter codes and other abbreviations, refer to the "Guidance Notes on Codes and Abbreviations" appearing at the beginning of each regular issue of the PCT Gazette.

INTERNATIONAL SEARCH REPORT

International application No.
PCT/IL01/00342

A. CLASSIFICATION OF SUBJECT MATTER IPC(7) : G10L 17/00 US CL : 704/273; 246. According to International Patent Classification (IPC) or to both national classification and IPC		
B. FIELDS SEARCHED Minimum documentation searched (classification system followed by classification symbols) U.S. : 704/273; 246; 379/93.03, 88 Documentation searched other than minimum documentation to the extent that such documents are included in the fields searched Electronic data base consulted during the international search (name of data base and, where practicable, search terms used) EAST: password, protocol, encod\$, encrypt\$, wireless, cellular.		
C. DOCUMENTS CONSIDERED TO BE RELEVANT		
Category*	Citation of document, with indication, where appropriate, of the relevant passages	Relevant to claim No.
Y	US 5,953,700 A (KANEVSKY et al.) 14 September 1999, col. 2, 7.	1-38
Y	US 5,907,597 A (MARK) 25 MAY 1999, figures 1, 4A, 8, columns 4-6., 17, 23.	1-38
Y	US 5,913,196 A (TALMOR et al.) 15 June 1999, fig. 3, 4, columns 2-4.	1-38
Y	US 5,897,616 A (KANEVSKY et al.) 27 April 1999, see entire document.	1-38
Y, P	US 6,161,090 A (KANEVSKY et al.) 12 December 2000, see entire document.	1-38
<input type="checkbox"/> Further documents are listed in the continuation of Box C. <input type="checkbox"/> See patent family annex.		
* Special categories of cited documents:	"T"	later document published after the international filing date or priority date and not in conflict with the application but cited to understand the principle or theory underlying the invention
"A" document defining the general state of the art which is not considered to be of particular relevance	"X"	document of particular relevance; the claimed invention cannot be considered novel or cannot be considered to involve an inventive step when the document is taken alone
"E" earlier document published on or after the international filing date	"Y"	document of particular relevance; the claimed invention cannot be considered to involve an inventive step when the document is combined with one or more other such documents, such combination being obvious to a person skilled in the art
"L" document which may throw doubts on priority claim(s) or which is cited to establish the publication date of another citation or other special reason (as specified)	"&"	document member of the same patent family
"O" document referring to an oral disclosure, use, exhibition or other means		
"P" document published prior to the international filing date but later than the priority date claimed		
Date of the actual completion of the international search 18 SEPTEMBER 2001	Date of mailing of the international search report 16 NOV 2001	
Name and mailing address of the ISA/US Commissioner of Patents and Trademarks Box PCT Washington, D.C. 20231 Facsimile No. (703) 305-3230	Authorized officer  DAVID D. KNEPPER Telephone No. (703) 305-8644	