



US00D574263S

(12) **United States Design Patent**
Loth

(10) **Patent No.:** **US D574,263 S**

(45) **Date of Patent:** **** Aug. 5, 2008**

(54) **WRISTWATCH**

(75) Inventor: **Eric Loth**, La Chaux-de-Fonds (CH)

(73) Assignee: **The British Masters SA**, La Chaux-de-Fonds (CH)

(**) Term: **14 Years**

(21) Appl. No.: **29/265,264**

(22) Filed: **Aug. 29, 2006**

(30) **Foreign Application Priority Data**

Mar. 28, 2006 (CH) 132661

(51) **LOC (8) Cl.** **10-02**

(52) **U.S. Cl.** **D10/38**

(58) **Field of Classification Search** D10/30-40,
D10/122-132; D11/3-25; 224/164-168;
368/10, 21, 28-30, 223, 228, 232, 234, 239-242,
368/276-277, 280-283, 285, 294-295, 308,
368/319-321

See application file for complete search history.

(56) **References Cited**

U.S. PATENT DOCUMENTS

- 3,427,800 A * 2/1969 Blum 368/223
- D391,176 S * 2/1998 Bulgari D10/39
- D447,705 S * 9/2001 Scheufele D10/39
- D452,175 S * 12/2001 Finazzi D10/39
- D457,817 S * 5/2002 Brandt D10/39
- D459,242 S * 6/2002 Wunderman D10/32

- D473,475 S * 4/2003 Baumann D10/32
- D517,432 S * 3/2006 Laucella D10/39
- D519,851 S * 5/2006 Seyr D10/31
- D519,852 S * 5/2006 Roden D10/31
- D533,468 S * 12/2006 Loth D10/32
- D536,996 S * 2/2007 Loth D10/32
- D540,195 S * 4/2007 Nussbaumer D10/31

* cited by examiner

Primary Examiner—Caron D. Veynar

Assistant Examiner—Ricky Pham

(74) *Attorney, Agent, or Firm*—Sughrue Mion, PLLC

(57) **CLAIM**

The ornamental design for a wristwatch, as shown and described.

DESCRIPTION

FIG. 1 is a front elevational view of a wristwatch showing my new design;

FIG. 2 is a perspective view of the front and left side thereof;

FIG. 3 is a perspective view of the front and right side thereof;

FIG. 4 is a rear elevational view thereof;

FIG. 5 is a right side elevational view thereof;

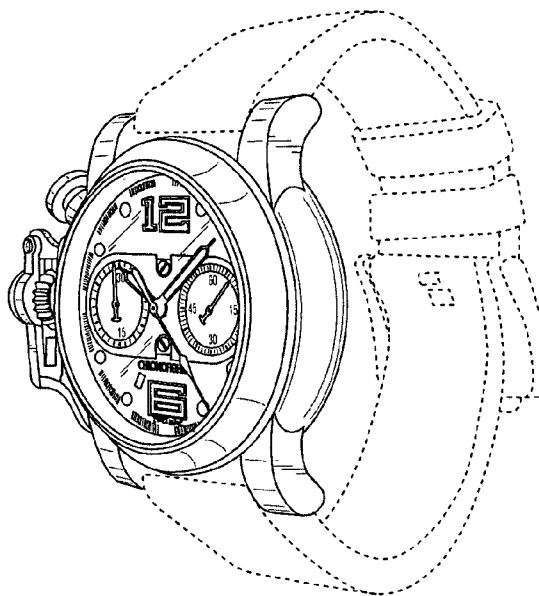
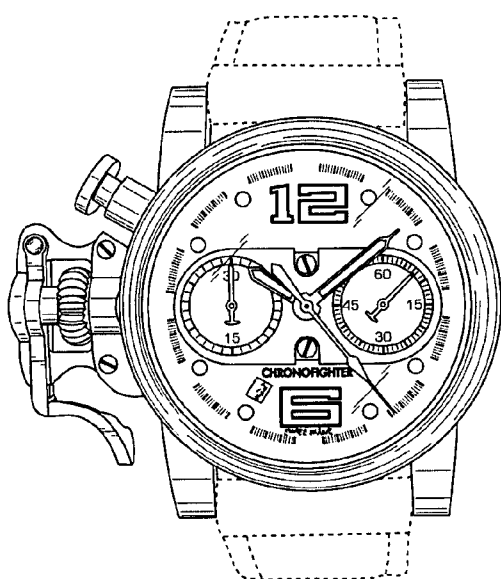
FIG. 6 is a left side elevational view thereof;

FIG. 7 is a top plan view thereof; and,

FIG. 8 is a bottom plan view thereof.

The portions shown in broken lines are for illustrative purposes only and form no part of the claimed design.

1 Claim, 4 Drawing Sheets



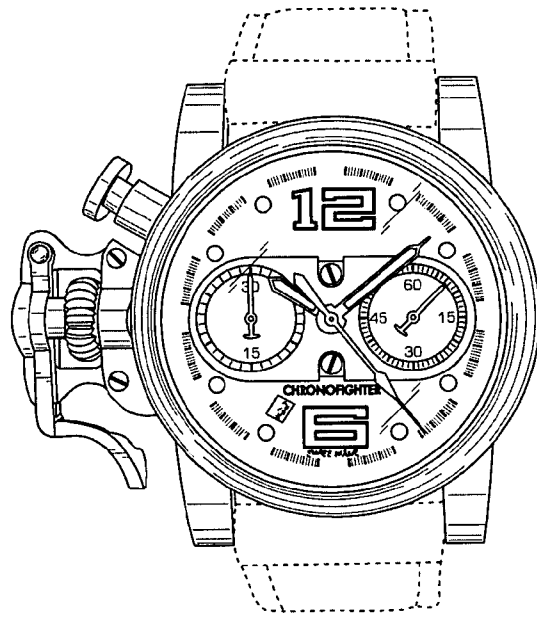


Fig. 1

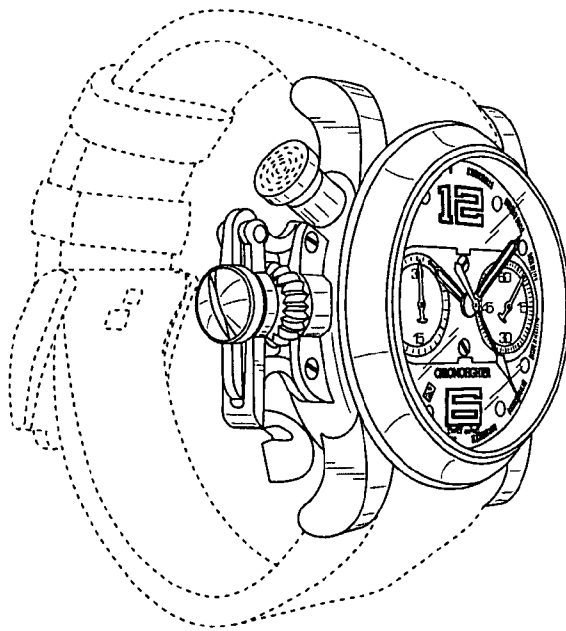


Fig. 2

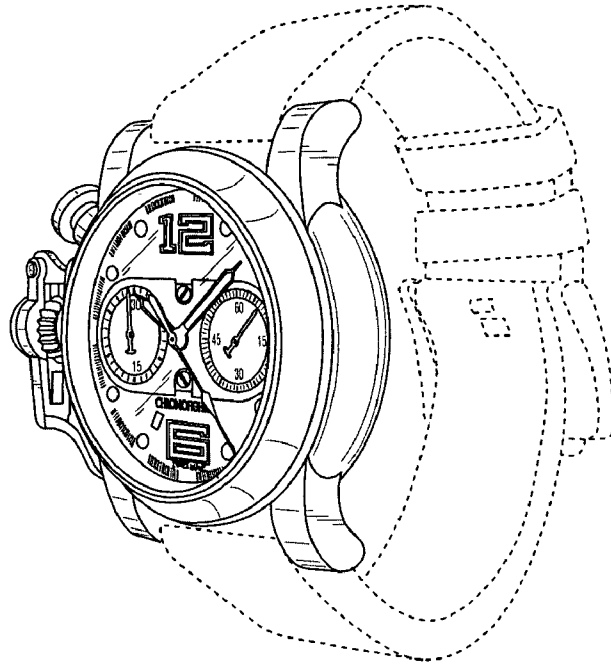


Fig. 3

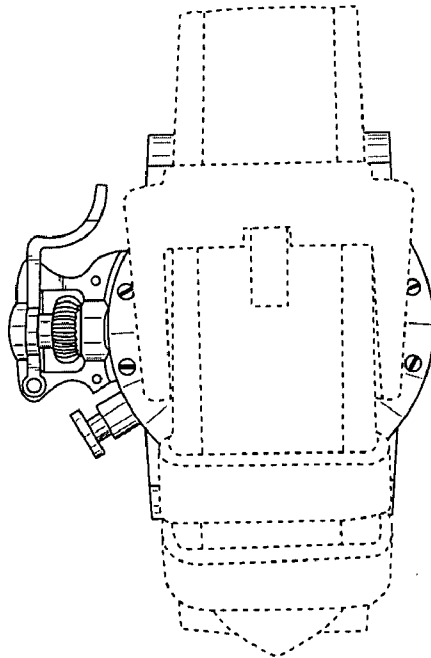


Fig. 4

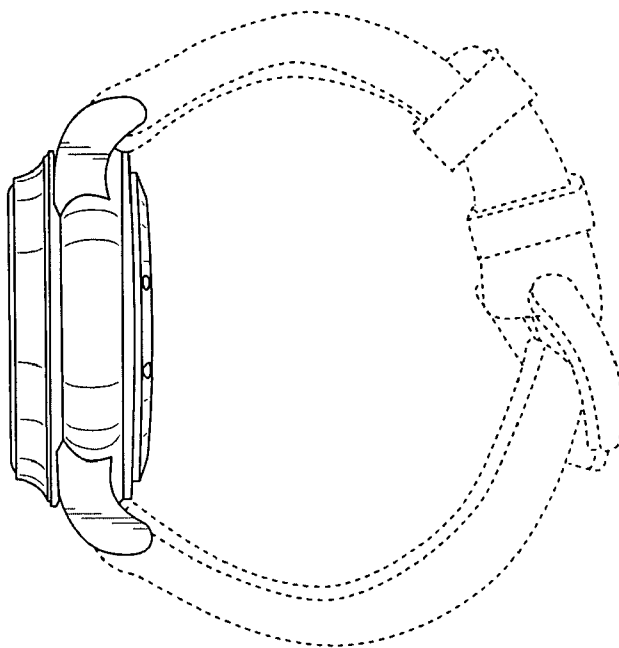


Fig. 5

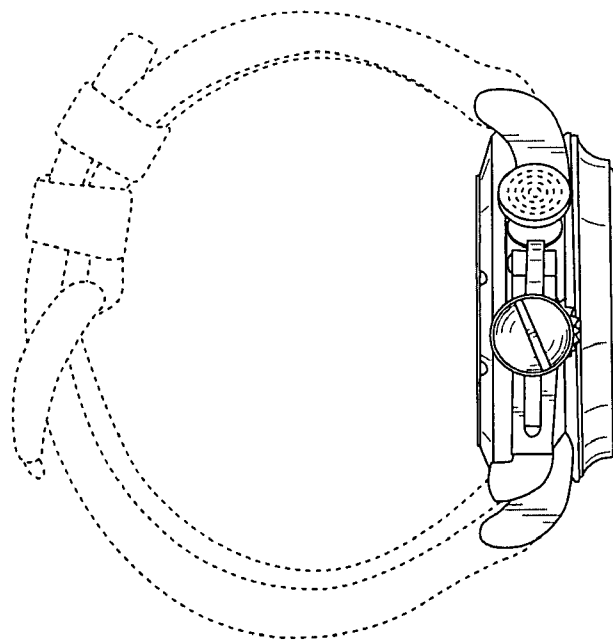


Fig. 6

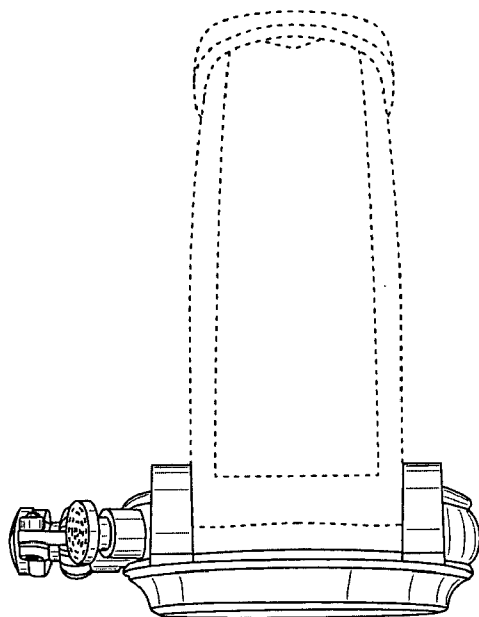


Fig. 7

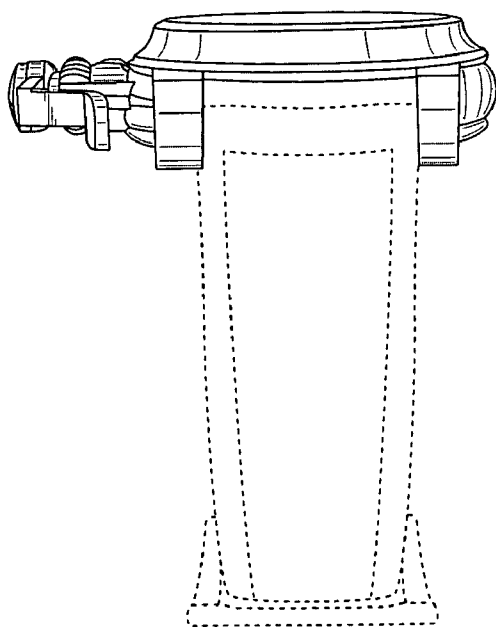


Fig. 8