



(51) International Patent Classification:

A61B 17/68 (2006.01) A61B 17/86 (2006.01)  
A61B 17/70 (2006.01) A61B 17/64 (2006.01)  
A61B 17/84 (2006.01)

(21) International Application Number:

PCT/US2011/026857

(22) International Filing Date:

2 March 2011 (02.03.2011)

(25) Filing Language:

English

(26) Publication Language:

English

(30) Priority Data:

12/715,908 2 March 2010 (02.03.2010) US

(71) Applicant (for all designated States except US): **WARSAW ORTHOPEDIC, INC.** [US/US]; 2500 Silveus Crossing, Warsaw, Indiana 46581 (US).

(72) Inventor; and

(75) Inventor/Applicant (for US only): **JUSTIS, Jeff R.** [US/US]; 1839 Johnson Road, Germantown, Minnesota 38139 (US).

(74) Agents: **HAINES, Warren M.** et al.; 710 Medtronic Parkway Ms LC340, Minneapolis, Minnesota 55432 (US).

(81) Designated States (unless otherwise indicated, for every kind of national protection available): AE, AG, AL, AM, AO, AT, AU, AZ, BA, BB, BG, BH, BR, BW, BY, BZ, CA, CH, CL, CN, CO, CR, CU, CZ, DE, DK, DM, DO, DZ, EC, EE, EG, ES, FI, GB, GD, GE, GH, GM, GT, HN, HR, HU, ID, IL, IN, IS, JP, KE, KG, KM, KN, KP, KR, KZ, LA, LC, LK, LR, LS, LT, LU, LY, MA, MD, ME, MG, MK, MN, MW, MX, MY, MZ, NA, NG, NI, NO, NZ, OM, PE, PG, PH, PL, PT, RO, RS, RU, SC, SD, SE, SG, SK, SL, SM, ST, SV, SY, TH, TJ, TM, TN, TR, TT, TZ, UA, UG, US, UZ, VC, VN, ZA, ZM, ZW.

(84) Designated States (unless otherwise indicated, for every kind of regional protection available): ARIPO (BW, GH,

[Continued on next page]

(54) Title: SYSTEMS AND METHODS FOR MINIMALLY INVASIVE SURGICAL PROCEDURES

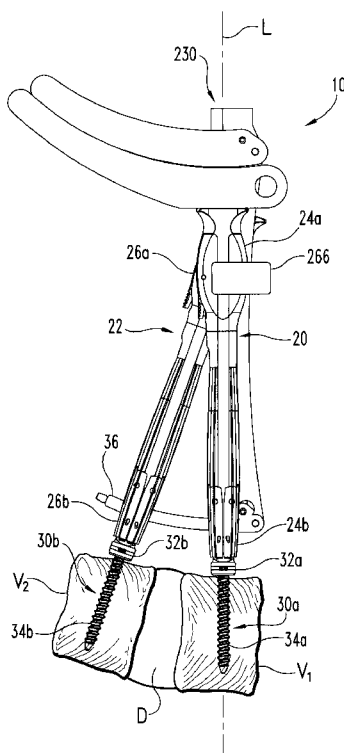


Fig. 1

(57) Abstract: One nonlimiting embodiment of the present application is directed to a system for positioning a connecting element adjacent one or more bones or bony portions, such as the spinal column, through a minimally invasive surgical approach. The system generally includes a number of bone anchors engageable to the one or more bones or bony portions and a number of anchor extenders removably engaged to the bone anchors. A connecting element inserter instrument is engageable with one of the anchor extenders and is movable along a longitudinal axis of the anchor extender. As the inserter instrument is moved along the longitudinal axis toward the bone anchors, a leading end of the connecting element is rotated away from the longitudinal axis and the connecting element is positioned at a location adjacent the number of bone anchors in a minimally invasive surgical procedure. However, in other embodiments, different forms and applications are envisioned.



GM, KE, LR, LS, MW, MZ, NA, SD, SL, SZ, TZ, UG, ZM, ZW), Eurasian (AM, AZ, BY, KG, KZ, MD, RU, TJ, TM), European (AL, AT, BE, BG, CH, CY, CZ, DE, DK, EE, ES, FI, FR, GB, GR, HR, HU, IE, IS, IT, LT, LU, LV, MC, MK, MT, NL, NO, PL, PT, RO, RS, SE, SI, SK, SM, TR), OAPI (BF, BJ, CF, CG, CI, CM, GA, GN, GQ, GW, ML, MR, NE, SN, TD, TG).

— *before the expiration of the time limit for amending the claims and to be republished in the event of receipt of amendments (Rule 48.2(h))*

**(88) Date of publication of the international search report:**  
26 January 2012

**Published:**

— *with international search report (Art. 21(3))*

**A. CLASSIFICATION OF SUBJECT MATTER***A61B 17/68(2006.01)i, A61B 17/70(2006.01)i, A61B 17/84(2006.01)i, A61B 17/86(2006.01)i, A61B 17/64(2006.01)i*

According to International Patent Classification (IPC) or to both national classification and IPC

**B. FIELDS SEARCHED**

Minimum documentation searched (classification system followed by classification symbols)

A61B 17/68; A61F 5/00; A61B 17/58; A61B 17/56

Documentation searched other than minimum documentation to the extent that such documents are included in the fields searched

Korean utility models and applications for utility models

Japanese utility models and applications for utility models

Electronic data base consulted during the international search (name of data base and, where practicable, search terms used)

eKOMPASS(KIPO internal) &amp; Keywords: minimally invasive surgery, bone anchor, anchor extender, inserter, connecting, lever arm, bearing

**C. DOCUMENTS CONSIDERED TO BE RELEVANT**

Category*	Citation of document, with indication, where appropriate, of the relevant passages	Relevant to claim No.
A	US 2005-0192589 A1 (RAYMOND, DOUGLAS et al.) 01 September 2005 See abstract; figs. 1, 16, 17, 23-27; paragraphs 7-11, 73-75, 83, 110; claims 1, 12, 20, 32.	1-15
A	US 2007-0270867 A1 (MILLER, KEITH E. et al.) 22 November 2007 See abstract; figs. 5, 6; paragraphs 4-6, 31-35; claims 1-6, 12.	1-15
A	US 2005-0171540 A1 (LIM, ROY et al.) 04 August 2005 See abstract; figs. 1, 11, 27-31; paragraphs 5, 6, 57, 59, 60, 64, 94, 97-100; claims 1-7, 21, 22, 26, 28, 37.	1-15
A	US 7520879 B2 (JUSTIS, JEFF R. et al.) 21 April 2009 See abstract; figs. 1, 8, 10; columns 3, line 65-columns 5, line 54; claims 1-3, 10-14, 26, 34, 37.	1-15

 Further documents are listed in the continuation of Box C. See patent family annex.

\* Special categories of cited documents:

"A" document defining the general state of the art which is not considered to be of particular relevance

"E" earlier application or patent but published on or after the international filing date

"L" document which may throw doubts on priority claim(s) or which is cited to establish the publication date of citation or other special reason (as specified)

"O" document referring to an oral disclosure, use, exhibition or other means

"P" document published prior to the international filing date but later than the priority date claimed

"T" later document published after the international filing date or priority date and not in conflict with the application but cited to understand the principle or theory underlying the invention

"X" document of particular relevance; the claimed invention cannot be considered novel or cannot be considered to involve an inventive step when the document is taken alone

"Y" document of particular relevance; the claimed invention cannot be considered to involve an inventive step when the document is combined with one or more other such documents, such combination being obvious to a person skilled in the art

"&amp;" document member of the same patent family

Date of the actual completion of the international search

25 NOVEMBER 2011 (25.11.2011)

Date of mailing of the international search report

**25 NOVEMBER 2011 (25.11.2011)**

Name and mailing address of the ISA/KR

Korean Intellectual Property Office  
Government Complex-Daejeon, 189 Cheongsa-ro,  
Seo-gu, Daejeon 302-701, Republic of Korea

Facsimile No. 82-42-472-7140

Authorized officer

KANG, HEE GOK

Telephone No. 82-42-481-8264



**INTERNATIONAL SEARCH REPORT**

Information on patent family members

International application No.

**PCT/US2011/026857**

Patent document cited in search report	Publication date	Patent family member(s)	Publication date
US 2005-0192589 A1	01.09.2005	AU 2005-213351 A1	25.08.2005
		CA 2555141 A1	25.08.2005
		EP 1711112 A2	18.10.2006
		EP 1711112 A4	04.03.2009
		JP 2007-520319 A	26.07.2007
		JP 2011-115602 A	16.06.2011
		US 7476240 B2	13.01.2009
		WO 2005-076868 A2	25.08.2005
		WO 2005-076868 A3	23.11.2006
		US 2007-0270867 A1	22.11.2007
US 7927334 B2	19.04.2011		
WO 2007-121061 A2	25.10.2007		
WO 2007-121061 A3	24.04.2008		
WO 2007-121061 B1	05.06.2008		
US 2005-0171540 A1	04.08.2005	EP 1718230 A2	08.11.2006
		US 2006-0264942 A1	23.11.2006
		US 7597694 B2	06.10.2009
		US 8002804 B2	23.08.2011
		WO 2005-074828 A2	18.08.2005
		WO 2005-074828 A3	10.11.2005
US 7520879 B2	21.04.2009	EP 1988841 A2	12.11.2008
		US 2007-0213714 A1	13.09.2007
		US 2009-0182382 A1	16.07.2009
		WO 2007-092870 A2	16.08.2007
		WO 2007-092870 A3	01.11.2007
		WO 2007-092870 B1	27.12.2007