



(51) International Patent Classification:

F16M 11/08 (2006.01) F16M 11/20 (2006.01)
B23Q 1/00 (2006.01) F16M 13/02 (2006.01)
B23Q 1/52 (2006.01)

(21) International Application Number:

PCT/TR2014/000063

(22) International Filing Date:

10 March 2014 (10.03.2014)

(25) Filing Language:

English

(26) Publication Language:

English

(30) Priority Data:

2013/00238 8 January 2013 (08.01.2013) TR

(71) Applicant: NRS KABLO BİLGİSAYAR YAZILIM
DONANIM ELEKTRİK ELEKTRONİK OTOMASY-
ON SAN.VE TİC.LTD.ŞTİ [TR/TR]; Alaattinbey
Mah.636.sok.no:23, Nilüfer, Bursa (TR).

(72) Inventor: DEDE, Aşkın; Alaattinbey Mah.636.sok.no:23,
Nilüfer, Bursa (TR).

(74) Agent: KAYA, Erdem; Hudavendigar Mh. Bent Cd.
No:163/B Osmangazi, 16090 Bursa (TR).

(81) Designated States (unless otherwise indicated, for every
kind of national protection available): AE, AG, AL, AM,

AO, AT, AU, AZ, BA, BB, BG, BH, BN, BR, BW, BY,
BZ, CA, CH, CL, CN, CO, CR, CU, CZ, DE, DK, DM,
DO, DZ, EC, EE, EG, ES, FI, GB, GD, GE, GH, GM, GT,
HN, HR, HU, ID, IL, IN, IR, IS, JP, KE, KG, KN, KP, KR,
KZ, LA, LC, LK, LR, LS, LT, LU, LY, MA, MD, ME,
MG, MK, MN, MW, MX, MY, MZ, NA, NG, NI, NO, NZ,
OM, PA, PE, PG, PH, PL, PT, QA, RO, RS, RU, RW, SA,
SC, SD, SE, SG, SK, SL, SM, ST, SV, SY, TH, TJ, TM,
TN, TR, TT, TZ, UA, UG, US, UZ, VC, VN, ZA, ZM,
ZW.

(84) Designated States (unless otherwise indicated, for every
kind of regional protection available): ARIPO (BW, GH,
GM, KE, LR, LS, MW, MZ, NA, RW, SD, SL, SZ, TZ,
UG, ZM, ZW), Eurasian (AM, AZ, BY, KG, KZ, RU, TJ,
TM), European (AL, AT, BE, BG, CH, CY, CZ, DE, DK,
EE, ES, FI, FR, GB, GR, HR, HU, IE, IS, IT, LT, LU, LV,
MC, MK, MT, NL, NO, PL, PT, RO, RS, SE, SI, SK, SM,
TR), OAPI (BF, BJ, CF, CG, CI, CM, GA, GN, GQ, GW,
KM, ML, MR, NE, SN, TD, TG).

Published:

- with international search report (Art. 21(3))
- before the expiration of the time limit for amending the
claims and to be republished in the event of receipt of
amendments (Rule 48.2(h))

[Continued on next page]

(54) Title: A MOVABLE ARM CARRYING A PANEL

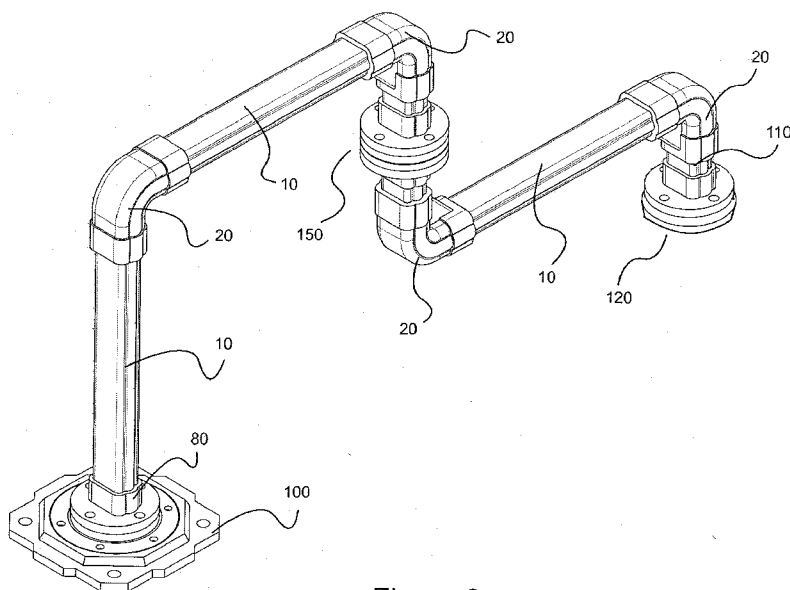


Figure 6

(57) Abstract: The subject matter invention relates to a movable arm carrying a panel connected to a machine or to the ground from one side and connected to pieces like panel from the other side, and providing movement of pieces and comprising at least an upper connection module (140), a panel connection module (120), a profile (10) and a vertical return bend (20). As an improvement, there is a movable bottom flange (40) having a peripheral channel (41) on the top surface, pluralities of balls (44) provided on the peripheral channel (41) and a movable top flange (50) having pluralities of ball housings (54) wherein the balls (44) are disposed, which are connected to each other so as to form a hinge (150) rotatable to the right and to the left.



— *with information concerning request for restoration of the right of priority in respect of one or more priority claims (Rules 26bis.3 and 48.2(b)(vii))*

(88) Date of publication of the international search report:
4 September 2014

INTERNATIONAL SEARCH REPORT

International application No
PCT/TR2014/000063

A. CLASSIFICATION OF SUBJECT MATTER
INV. F16M11/08 B23Q1/00 B23Q1/52 F16M11/20 F16M13/02
ADD.
According to International Patent Classification (IPC) or to both national classification and IPC

B. FIELDS SEARCHED
Minimum documentation searched (classification system followed by classification symbols)
F16M B23Q

Documentation searched other than minimum documentation to the extent that such documents are included in the fields searched

Electronic data base consulted during the international search (name of data base and, where practicable, search terms used)
EPO-Internal, WPI Data

C. DOCUMENTS CONSIDERED TO BE RELEVANT

Category*	Citation of document, with indication, where appropriate, of the relevant passages	Relevant to claim No.
Y	DE 38 05 424 C1 (RITTAL-WERK RUDDOLF LOH GMBH & CO KG) 1 December 1988 (1988-12-01) column 5, line 49 - column 7, line 6 figure 1 -----	1-18
Y	US 5 685 514 A (CARNAHAN GARNETT [US] ET AL) 11 November 1997 (1997-11-11) figures 1-3 column 1, line 53 - line 63 column 4, line 56 - column 5, line 13 -----	1-18
A	DE 40 33 747 A1 (LOH KG RITTAL WERK [DE]) 30 April 1992 (1992-04-30) column 3, line 8 - line 15; figure 1 -----	4-6
A	DE 40 03 992 A1 (HASEKE HORST [DE] HASEKE GMBH & CO KG [DE]) 14 August 1991 (1991-08-14) figure 1 -----	1

Further documents are listed in the continuation of Box C.

See patent family annex.

* Special categories of cited documents :

- "A" document defining the general state of the art which is not considered to be of particular relevance
- "E" earlier application or patent but published on or after the international filing date
- "L" document which may throw doubts on priority claim(s) or which is cited to establish the publication date of another citation or other special reason (as specified)
- "O" document referring to an oral disclosure, use, exhibition or other means
- "P" document published prior to the international filing date but later than the priority date claimed

"T" later document published after the international filing date or priority date and not in conflict with the application but cited to understand the principle or theory underlying the invention

"X" document of particular relevance; the claimed invention cannot be considered novel or cannot be considered to involve an inventive step when the document is taken alone

"Y" document of particular relevance; the claimed invention cannot be considered to involve an inventive step when the document is combined with one or more other such documents, such combination being obvious to a person skilled in the art

"&" document member of the same patent family

Date of the actual completion of the international search 1 July 2014	Date of mailing of the international search report 07/07/2014
--	--

Name and mailing address of the ISA/ European Patent Office, P.B. 5818 Patentlaan 2 NL - 2280 HV Rijswijk Tel. (+31-70) 340-2040, Fax: (+31-70) 340-3016	Authorized officer Terrier de la Chaise
--	--

INTERNATIONAL SEARCH REPORT

Information on patent family members

International application No

PCT/TR2014/000063

Patent document cited in search report	Publication date	Patent family member(s)	Publication date
DE 3805424	C1	01-12-1988	DE 3805424 C1 01-12-1988
			EP 0330029 A2 30-08-1989
			JP H0631675 B2 27-04-1994
			JP H01250695 A 05-10-1989
			US 4998702 A 12-03-1991

US 5685514	A	11-11-1997	CN 2253143 Y 30-04-1997
			US 5685514 A 11-11-1997

DE 4033747	A1	30-04-1992	CH 684439 A5 15-09-1994
			DE 4033747 A1 30-04-1992
			IT 1252120 B 05-06-1995

DE 4003992	A1	14-08-1991	NONE
