

(19) World Intellectual Property Organization  
International Bureau



(43) International Publication Date  
24 September 2009 (24.09.2009)

(10) International Publication Number  
**WO 2009/117422 A3**

- (51) **International Patent Classification:**  
A61M 11/00 (2006.01)
- (21) **International Application Number:**  
PCT/US2009/037409
- (22) **International Filing Date:**  
17 March 2009 (17.03.2009)
- (25) **Filing Language:** English
- (26) **Publication Language:** English
- (30) **Priority Data:**  
61/069,850 17 March 2008 (17.03.2008) US  
61/076,442 27 June 2008 (27.06.2008) US
- (71) **Applicant (for all designated States except US):** DISCOVERY LABORATORIES, INC. [US/US]; 2600 Kelly Road, Suite 100, Warrington, PA 18976-3622 (US).
- (72) **Inventors; and**
- (75) **Inventors/Applicants (for US only):** MAZELA, Jan [PL/US]; 110 East Ashland Street, Doylestown, PA 18901 (US). HENDERSON, Christopher [US/US]; 139 South Nardo, Solana Beach, CA 92075 (US).
- (74) **Agent:** KOZUCH, James, J.; Caesar, Rivise, Bernstein, Cohen & Pokotilow, Ltd., Seven Penn Center, 1635 Market Street, 11th Floor, Philadelphia, PA 19103 (US).
- (81) **Designated States (unless otherwise indicated, for every kind of national protection available):** AE, AG, AL, AM, AO, AT, AU, AZ, BA, BB, BG, BH, BR, BW, BY, BZ, CA, CH, CN, CO, CR, CU, CZ, DE, DK, DM, DO, DZ, EC, EE, EG, ES, FI, GB, GD, GE, GH, GM, GT, HN, HR, HU, ID, IL, IN, IS, JP, KE, KG, KM, KN, KP, KR, KZ, LA, LC, LK, LR, LS, LT, LU, LY, MA, MD, ME, MG, MK, MN, MW, MX, MY, MZ, NA, NG, NI, NO, NZ, OM, PG, PH, PL, PT, RO, RS, RU, SC, SD, SE, SG, SK, SL, SM, ST, SV, SY, TJ, TM, TN, TR, TT, TZ, UA, UG, US, UZ, VC, VN, ZA, ZM, ZW.
- (84) **Designated States (unless otherwise indicated, for every kind of regional protection available):** ARIPO (BW, GH, GM, KE, LS, MW, MZ, NA, SD, SL, SZ, TZ, UG, ZM, ZW), Eurasian (AM, AZ, BY, KG, KZ, MD, RU, TJ, TM), European (AT, BE, BG, CH, CY, CZ, DE, DK, EE, ES, FI, FR, GB, GR, HR, HU, IE, IS, IT, LT, LU, LV, MC, MK, MT, NL, NO, PL, PT, RO, SE, SI, SK, TR),

[Continued on next page]

(54) **Title:** VENTILATION CIRCUIT ADAPTOR AND PROXIMAL AEROSOL DELIVERY SYSTEM

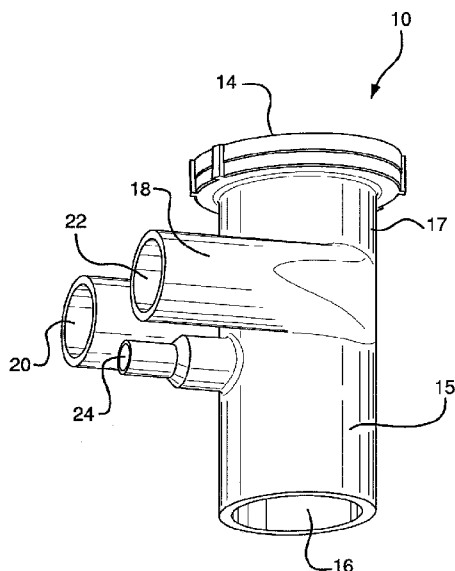


FIG. 1A

(57) **Abstract:** An adaptor for delivering an aerosolized active agent to a patient with concomitant positive pressure ventilation includes an aerosol flow channel having an aerosol inlet port and a patient interface port, and defining an aerosol flow path from the aerosol inlet port to and through the patient interface port; and a ventilation gas flow channel in fluid communication with the aerosol flow channel and having a gas inlet port and a gas outlet port, and defining a ventilation gas flow path from the gas inlet port to and through the gas outlet port, wherein the ventilation gas flow path is at least partially offset from the aerosol flow path and at least partially encircles the aerosol flow path. Systems and methods for delivering an aerosolized active agent to a patient with concomitant positive pressure ventilation incorporate the adaptor.



WO 2009/117422 A3

OAPI (BF, BJ, CF, CG, CI, CM, GA, GN, GQ, GW, ML,  
MR, NE, SN, TD, TG).

**Published:**

— *with international search report (Art. 21(3))*

**Declarations under Rule 4.17:**

— *as to applicant's entitlement to apply for and be granted  
a patent (Rule 4.17(ii))*

**(88) Date of publication of the international search report:**

12 November 2009

## INTERNATIONAL SEARCH REPORT

International application No.

PCT/US2009/037409

<b>A. CLASSIFICATION OF SUBJECT MATTER</b> IPC(8) - A61M 11/00 (2009.01) USPC - 128/203.12 According to International Patent Classification (IPC) or to both national classification and IPC		
<b>B. FIELDS SEARCHED</b> Minimum documentation searched (classification system followed by classification symbols) IPC(8) - A61L 9/04, A61K 9/10, 9/12, 9/14, 38/17; A61M 11/00, 15/00 (2009.01) USPC - 128/200.16, 200.23, 203.12; 424/45-46, 514/2 Documentation searched other than minimum documentation to the extent that such documents are included in the fields searched Electronic data base consulted during the international search (name of data base and, where practicable, search terms used) PatBase		
<b>C. DOCUMENTS CONSIDERED TO BE RELEVANT</b>		
Category*	Citation of document, with indication, where appropriate, of the relevant passages	Relevant to claim No.
X	US 2006/0078506 A1 (NIVEN et al) 13 April 2006 (13.04.2006) entire document	1-21
A	US 2005/0229926 A1 (FINK et al) 20 October 2005 (20.10.2005) entire document	1-21
A	US 2003/0136399 A1 (FOLEY et al) 24 July 2003 (24.07.2003) entire document	1-21
<input type="checkbox"/> Further documents are listed in the continuation of Box C. <input type="checkbox"/>		
* Special categories of cited documents: "A" document defining the general state of the art which is not considered to be of particular relevance "E" earlier application or patent but published on or after the international filing date "L" document which may throw doubts on priority claim(s) or which is cited to establish the publication date of another citation or other special reason (as specified) "O" document referring to an oral disclosure, use, exhibition or other means "P" document published prior to the international filing date but later than the priority date claimed "T" later document published after the international filing date or priority date and not in conflict with the application but cited to understand the principle or theory underlying the invention "X" document of particular relevance; the claimed invention cannot be considered novel or cannot be considered to involve an inventive step when the document is taken alone "Y" document of particular relevance; the claimed invention cannot be considered to involve an inventive step when the document is combined with one or more other such documents, such combination being obvious to a person skilled in the art "&" document member of the same patent family		
Date of the actual completion of the international search 28 April 2009		Date of mailing of the international search report <b>12 MAY 2009</b>
Name and mailing address of the ISA/US Mail Stop PCT, Attn: ISA/US, Commissioner for Patents P.O. Box 1450, Alexandria, Virginia 22313-1450 Facsimile No. 571-273-3201		Authorized officer: Blaine R. Copenheaver PCT Helpdesk: 571-272-4300 PCT OSP: 571-272-7774