



- (51) **International Patent Classification:**
F25D 21/14 (2006.01) F25D 23/00 (2006.01)
- (21) **International Application Number:**
PCT/EP2009/065016
- (22) **International Filing Date:**
12 November 2009 (12.11.2009)
- (25) **Filing Language:** English
- (26) **Publication Language:** English
- (30) **Priority Data:**
A 2008/08609 12 November 2008 (12.11.2008) TR
- (71) **Applicant (for all designated States except US):** ARCELİK ANONİM ŞİRKETİ [TR/TR]; E5 Ankara Asfaltı Uzeri, Tuzla, 34950 Istanbul (TR).
- (72) **Inventors; and**
- (75) **Inventors/Applicants (for US only):** CETINTURK, Oguz [TR/TR]; E5 Ankara Asfaltı Uzeri, Tuzla, 34950 Istanbul (TR). GIZLICE, Gozde [TR/TR]; E5 Ankara Asfaltı Uzeri, Tuzla, 34950 Istanbul (TR). MOZA, A., Onur [TR/TR]; E5 Ankara Asfaltı Uzeri, Tuzla, 34950 Istanbul (TR). OZTURK, Fatih, M. [TR/TR]; E5 Ankara Asfaltı Uzeri, Tuzla, 34950 Istanbul (TR).
- (81) **Designated States (unless otherwise indicated, for every kind of national protection available):** AE, AG, AL, AM,

AO, AT, AU, AZ, BA, BB, BG, BH, BR, BW, BY, BZ, CA, CH, CL, CN, CO, CR, CU, CZ, DE, DK, DM, DO, DZ, EC, EE, EG, ES, FI, GB, GD, GE, GH, GM, GT, HN, HR, HU, ID, IL, IN, IS, JP, KE, KG, KM, KN, KP, KR, KZ, LA, LC, LK, LR, LS, LT, LU, LY, MA, MD, ME, MG, MK, MN, MW, MX, MY, MZ, NA, NG, NI, NO, NZ, OM, PE, PG, PH, PL, PT, RO, RS, RU, SC, SD, SE, SG, SK, SL, SM, ST, SV, SY, TJ, TM, TN, TR, TT, TZ, UA, UG, US, UZ, VC, VN, ZA, ZM, ZW.

- (84) **Designated States (unless otherwise indicated, for every kind of regional protection available):** ARIPO (BW, GH, GM, KE, LS, MW, MZ, NA, SD, SL, SZ, TZ, UG, ZM, ZW), Eurasian (AM, AZ, BY, KG, KZ, MD, RU, TJ, TM), European (AT, BE, BG, CH, CY, CZ, DE, DK, EE, ES, FI, FR, GB, GR, HR, HU, IE, IS, IT, LT, LU, LV, MC, MK, MT, NL, NO, PL, PT, RO, SE, SI, SK, SM, TR), OAPI (BF, BJ, CF, CG, CI, CM, GA, GN, GQ, GW, ML, MR, NE, SN, TD, TG).

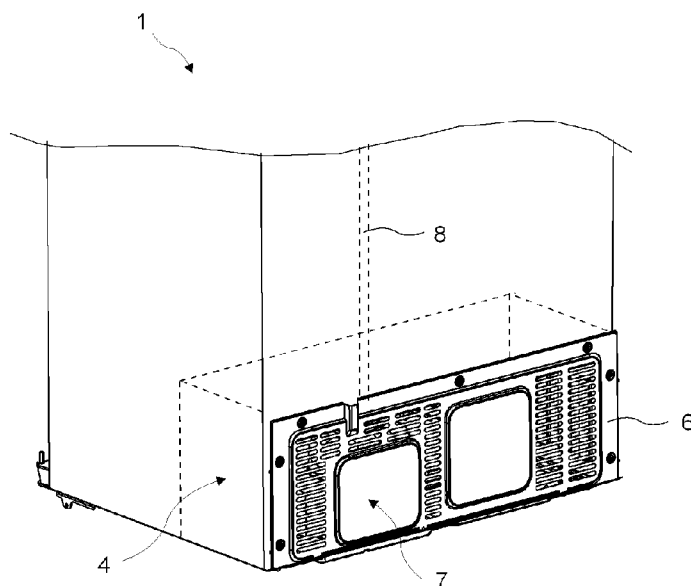
Published:

- with international search report (Art. 21(3))
- before the expiration of the time limit for amending the claims and to be republished in the event of receipt of amendments (Rule 48.2(h))

- (88) **Date of publication of the international search report:**
19 August 2010

(54) **Title:** A COOLING DEVICE COMPRISING AN EVAPORATION TRAY

Figure 1



(57) **Abstract:** The present invention relates to a cooling device (1) comprising a body, a compressor (2) for maintaining the refrigeration cycle, a condenser (3) for condensing the refrigerant, a casing (4) wherein the compressor (2) and the condenser (3) are disposed, a fan (5) situated inside the casing (4) for cooling the condenser (3) and the compressor (2) by blowing air thereon, a cover (6), situated under the rear wall of the body, that covers the casing (4) and prevents access to the compressor (2) and the other components in the casing (4), an evaporation tray (7) situated inside the casing (4) for collecting the water during the defrost process to be evaporated thereafter and a discharge hose (8) that extends from the body into the casing (4) for transferring the defrost water into the evaporation tray (7).

INTERNATIONAL SEARCH REPORT

International application No
PCT/EP2009/065016

A. CLASSIFICATION OF SUBJECT MATTER
INV. F25D21/14
ADD. F25D23/00

According to International Patent Classification (IPC) or to both national classification and IPC

B. FIELDS SEARCHED

Minimum documentation searched (classification system followed by classification symbols)
F25D

Documentation searched other than minimum documentation to the extent that such documents are included in the fields searched

Electronic data base consulted during the international search (name of data base and, where practical, search terms used)

EPO-Internal

C. DOCUMENTS CONSIDERED TO BE RELEVANT

Category*	Citation of document, with indication, where appropriate, of the relevant passages	Relevant to claim No.
X	JP 11 083285 A (TOSHIBA CORP) 26 March 1999 (1999-03-26) * abstract; figures 1-10 -----	1-8
X	JP 61 099079 A (HITACHI LTD) 17 May 1986 (1986-05-17) figures 1-10 -----	1,2,6,8
X	US 4 490 991 A (GRIFFIN JAMES R [US]) 1 January 1985 (1985-01-01) the whole document -----	1,7,8

Further documents are listed in the continuation of Box C.

See patent family annex.

* Special categories of cited documents :

"A" document defining the general state of the art which is not considered to be of particular relevance

"E" earlier document but published on or after the international filing date

"L" document which may throw doubts on priority claim(s) or which is cited to establish the publication date of another citation or other special reason (as specified)

"O" document referring to an oral disclosure, use, exhibition or other means

"P" document published prior to the international filing date but later than the priority date claimed

"T" later document published after the international filing date or priority date and not in conflict with the application but cited to understand the principle or theory underlying the invention

"X" document of particular relevance; the claimed invention cannot be considered novel or cannot be considered to involve an inventive step when the document is taken alone

"Y" document of particular relevance; the claimed invention cannot be considered to involve an inventive step when the document is combined with one or more other such documents, such combination being obvious to a person skilled in the art.

"&" document member of the same patent family

Date of the actual completion of the international search

16 June 2010

Date of mailing of the international search report

01/07/2010

Name and mailing address of the ISA/

European Patent Office, P.B. 5818 Patentlaan 2
NL - 2280 HV Rijswijk
Tel. (+31-70) 340-2040,
Fax: (+31-70) 340-3016

Authorized officer

Jessen, Flemming

INTERNATIONAL SEARCH REPORT

Information on patent family members

International application No

PCT/EP2009/065016

Patent document cited in search report		Publication date	Patent family member(s)	Publication date
JP 11083285	A	26-03-1999	NONE	
JP 61099079	A	17-05-1986	NONE	
US 4490991	A	01-01-1985	NONE	