

(19) World Intellectual Property Organization
International Bureau



(43) International Publication Date
14 February 2002 (14.02.2002)

PCT

(10) International Publication Number
WO 02/12116 A3

(51) International Patent Classification⁷: B81B 3/00,
7/02, G02B 26/08

(21) International Application Number: PCT/US01/41523

(22) International Filing Date: 3 August 2001 (03.08.2001)

(25) Filing Language: English

(26) Publication Language: English

(30) Priority Data:
60/222,751 3 August 2000 (03.08.2000) US

(71) Applicant: ANALOG DEVICES, INC. [US/US]; One
Technology Way, Norwood, MA 02062-9106 (US).

(72) Inventors: BROSNIHAN, Timothy, J.; 112 Bacon Street,
Natick, MA 01670 (US). JUDY, Michael, W.; 95 Chestnut
Street, Wakefield, MA 01880 (US).

(74) Agents: CONNORS, Matthew, E. et al.; Samuels,
Gauthier & Stevens, LLP, Suite 3300, 225 Franklin Street,
Boston, MA 02110 (US).

(81) Designated States (national): AE, AG, AL, AM, AT, AU,
AZ, BA, BB, BG, BR, BY, BZ, CA, CH, CN, CO, CR, CU,

CZ, DE, DK, DM, DZ, EC, EE, ES, FI, GB, GD, GE, GH,
GM, HR, HU, ID, IL, IN, IS, JP, KE, KG, KP, KR, KZ, LC,
LK, LR, LS, LT, LU, LV, MA, MD, MG, MK, MN, MW,
MX, MZ, NO, NZ, PL, PT, RO, RU, SD, SE, SG, SI, SK,
SL, TJ, TM, TR, TT, TZ, UA, UG, UZ, VN, YU, ZA, ZW.

(84) Designated States (regional): ARIPO patent (GH, GM,
KE, LS, MW, MZ, SD, SL, SZ, TZ, UG, ZW), Eurasian
patent (AM, AZ, BY, KG, KZ, MD, RU, TJ, TM), European
patent (AT, BE, CH, CY, DE, DK, ES, FI, FR, GB, GR, IE,
IT, LU, MC, NL, PT, SE, TR), OAPI patent (BF, BJ, CF,
CG, CI, CM, GA, GN, GQ, GW, ML, MR, NE, SN, TD,
TG).

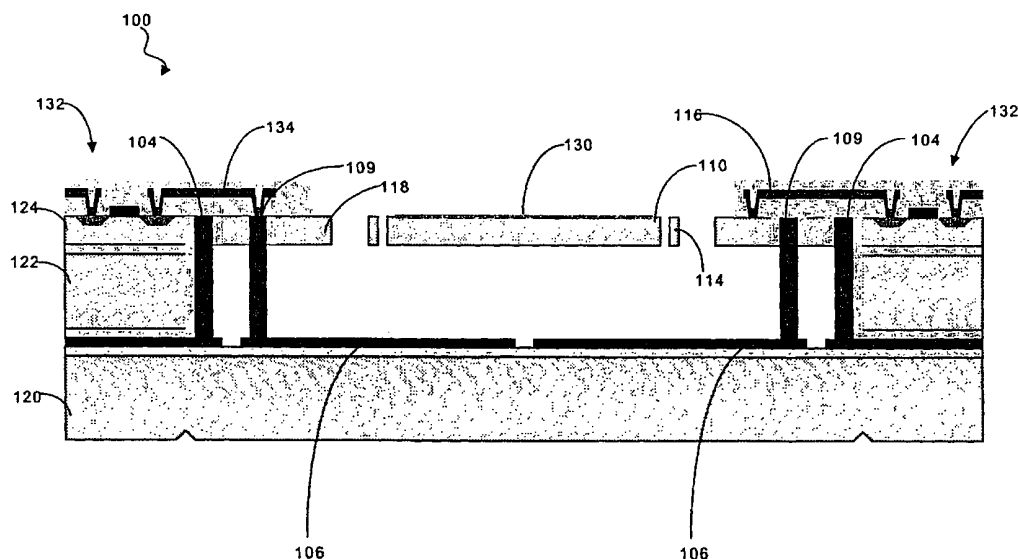
Published:

- with international search report
- before the expiration of the time limit for amending the
claims and to be republished in the event of receipt of
amendments

(88) Date of publication of the international search report:
4 April 2002

For two-letter codes and other abbreviations, refer to the "Guidance Notes on Codes and Abbreviations" appearing at the beginning of each regular issue of the PCT Gazette.

(54) Title: BONDED WAFER OPTICAL MEMS PROCESS



(57) Abstract: A microelectromechanical system is fabricated from a substrate having a handle layer, a silicon sacrificial layer and a device layer. A micromechanical structure is etched in the device layer and the underlying silicon sacrificial layer is etched away to release the micromechanical structure for movement. One particular micromechanical structure described is a micromirror.



WO 02/12116 A3

INTERNATIONAL SEARCH REPORT

Internatic Application No

PCT/US 01/41523

A. CLASSIFICATION OF SUBJECT MATTER
 IPC 7 B81B3/00 B81B7/02 G02B26/08

According to International Patent Classification (IPC) or to both national classification and IPC

B. FIELDS SEARCHED

Minimum documentation searched (classification system followed by classification symbols)

IPC 7 B81B G02B

Documentation searched other than minimum documentation to the extent that such documents are included in the fields searched

Electronic data base consulted during the international search (name of data base and, where practical, search terms used)

EPO-Internal, WPI Data, PAJ, INSPEC, COMPENDEX

C. DOCUMENTS CONSIDERED TO BE RELEVANT

Category °	Citation of document, with indication, where appropriate, of the relevant passages	Relevant to claim No.
X A	DE 198 47 455 A (BOSCH GMBH ROBERT) 27 April 2000 (2000-04-27) figures 4-11 column 8, line 61 -column 11, line 31	1, 3, 19, 21, 27, 32
X A	EP 0 834 759 A (MCNC) 8 April 1998 (1998-04-08) figures 1-5 column 2, line 27 -column 5, line 47 column 6, line 43 -column 13, line 25	2, 4-18, 20, 22-26, 28-31, 33-42

X A	EP 0 834 759 A (MCNC) 8 April 1998 (1998-04-08) figures 1-5 column 2, line 27 -column 5, line 47 column 6, line 43 -column 13, line 25	23-26

	-/--	
		1-22, 27-42

Further documents are listed in the continuation of box C.

Patent family members are listed in annex.

° Special categories of cited documents :

- *A* document defining the general state of the art which is not considered to be of particular relevance
- *E* earlier document but published on or after the international filing date
- *L* document which may throw doubts on priority claim(s) or which is cited to establish the publication date of another citation or other special reason (as specified)
- *O* document referring to an oral disclosure, use, exhibition or other means
- *P* document published prior to the international filing date but later than the priority date claimed

- *T* later document published after the international filing date or priority date and not in conflict with the application but cited to understand the principle or theory underlying the invention
- *X* document of particular relevance: the claimed invention cannot be considered novel or cannot be considered to involve an inventive step when the document is taken alone
- *Y* document of particular relevance: the claimed invention cannot be considered to involve an inventive step when the document is combined with one or more other such documents, such combination being obvious to a person skilled in the art.
- *&* document member of the same patent family

Date of the actual completion of the international search

4 February 2002

Date of mailing of the international search report

11/02/2002

Name and mailing address of the ISA

European Patent Office, P.B. 5818 Patentlaan 2
 NL - 2280 HV Rijswijk
 Tel. (+31-70) 340-2040, Tx. 31 651 epo nl,
 Fax: (+31-70) 340-3016

Authorized officer

Polesello, P

INTERNATIONAL SEARCH REPORT

International Application No

PCT/US 01/41523

C.(Continuation) DOCUMENTS CONSIDERED TO BE RELEVANT		
Category °	Citation of document, with indication, where appropriate, of the relevant passages	Relevant to claim No.
X A	<p>US 5 216 490 A (GREIFF PAUL ET AL) 1 June 1993 (1993-06-01)</p> <p>figures 1-4 column 4, line 21 -column 5, line 29</p>	<p>1,2,19, 21,27, 33,34</p> <p>3-18,20, 22, 28-32, 35-42</p>
X A	<p>----</p> <p>US 6 021 675 A (MATTES MICHAEL F ET AL) 8 February 2000 (2000-02-08)</p> <p>figures 19-29 column 6, line 25 -column 11, line 3</p>	<p>1,2,4,6, 19</p> <p>3,5, 7-18, 20-42</p>
X A	<p>----</p> <p>US 5 343 064 A (SPANGLER LELAND J ET AL) 30 August 1994 (1994-08-30)</p> <p>figures 1-10 column 5, line 16 -column 8, line 35 column 10, line 4 -column 18, line 20</p>	<p>1,2,19, 21</p> <p>3-18,20, 22-42</p>
A	<p>----</p> <p>BROSNIHAN T J ET AL: "Embedded interconnect and electrical isolation for high-aspect-ratio, SOI inertial instruments" 1997 INTERNATIONAL CONFERENCE ON SOLID-STATE SENSORS AND ACTUATORS. DIGEST OF TECHNICAL PAPERS. TRANSDUCERS 97. CHICAGO, IL, JUNE 16 - 19, 1997. SESSIONS 3A1 - 4D3. PAPERS NO. 3A1.01 - 4D3.14P, INTERNATIONAL CONFERENCE ON SOLID-STATE SENSORS AND ACTU, vol. 2, 16 June 1997 (1997-06-16), pages 637-640, XP010240558 ISBN: 0-7803-3829-4 figures 1,2 paragraph 'ISOLATION!'</p> <p>-----</p>	<p>4-7,23, 25-35, 39,40</p>

INTERNATIONAL SEARCH REPORT

Information on patent family members

International Application No

PCT/US 01/41523

Patent document cited in search report	A	Publication date	Patent family member(s)	Publication date
DE 19847455	A	27-04-2000	DE 19847455 A1	27-04-2000
			WO 0023376 A1	27-04-2000
			EP 1062180 A1	27-12-2000
EP 0834759	A	08-04-1998	US 5914801 A	22-06-1999
			EP 0834759 A2	08-04-1998
			JP 10323059 A	04-12-1998
			TW 387159 B	11-04-2000
			US 6134042 A	17-10-2000
			US 6087747 A	11-07-2000
			US 6256134 B1	03-07-2001
US 5216490	A	01-06-1993	US 5060039 A	22-10-1991
			US 5195371 A	23-03-1993
			US 5016072 A	14-05-1991
			US 5111693 A	12-05-1992
			CA 2034663 A1	15-08-1991
			EP 0442280 A2	21-08-1991
			JP 5133976 A	28-05-1993
			US 5473945 A	12-12-1995
			US 5635739 A	03-06-1997
			US 5126812 A	30-06-1992
			AT 154166 T	15-06-1997
			CA 2057919 A1	15-09-1991
			DE 69126381 D1	10-07-1997
			DE 69126381 T2	18-09-1997
			EP 0472717 A1	04-03-1992
JP 5502945 T	20-05-1993			
WO 9114285 A1	19-09-1991			
US 6021675	A	08-02-2000	US 5736430 A	07-04-1998
			CA 2211678 A1	12-02-1998
			EP 0825427 A2	25-02-1998
			JP 10093112 A	10-04-1998
			CA 2176052 A1	08-12-1996
			DE 69601977 D1	12-05-1999
			DE 69601977 T2	02-12-1999
			EP 0747684 A1	11-12-1996
			JP 9008330 A	10-01-1997
			US 6118164 A	12-09-2000
			US 5834333 A	10-11-1998
			CA 2176051 A1	08-12-1996
			DE 69602056 D1	20-05-1999
			DE 69602056 T2	09-12-1999
			EP 0747686 A1	11-12-1996
JP 2853991 B2	03-02-1999			
JP 9026372 A	28-01-1997			
US 5343064	A	30-08-1994	NONE	