



(12) **United States Design Patent**
Paik et al.

(10) **Patent No.:** **US D1,007,362 S**
(45) **Date of Patent:** **** Dec. 12, 2023**

(54) **BELT ADJUSTER FOR BAG**
(71) Applicant: **WOOJIN PLASTIC Co., Ltd.**,
Namyangju-si (KR)

D352,678 S * 11/1994 Fildan D8/323
D359,710 S * 6/1995 Chinni D11/218
D398,262 S * 9/1998 Anscher D11/218
(Continued)

(72) Inventors: **Ji Sook Paik**, Seoul (KR); **Nan Hee Paik**, Seoul (KR); **Ji Hye Paik**, Seoul (KR); **Ji Won Son**, Seoul (KR)

OTHER PUBLICATIONS

(73) Assignee: **WOOJIN PLASTIC CO., LTD.**,
Namyangju-si (KR)

Craftmemore Strong Metal Ladder Lock Tri-Glide Tension Lock Slide Buckle Adjustable Backpack Strap 4pcs SC82 (1 Inch, Gunmetal), first available Apr. 1, 2021, amazon.com, [online], [site visited Apr. 17, 2023], Available from internet URL: https://www.amazon.com/CRAFTMEMORE-Tri-Glide-Adjustable-Backpack-Gunmetal/dp/B093HK9SCJ/ref=asc_df_B093HK9SCJ/?tag=hyprod-20&linkCode=df0&hvadid=507628432970&hvpos=&hvnetw=g&hvrand=5406355350341076709&hvpone=&hvptwo=&hvqmt=&hvdev=c&hvdvcmld=&hvlocint=&hvlocphy=9007713&hvtargid=pla-1309341877140&th=1 (Year: 2021).*

(**) Term: **15 Years**

(21) Appl. No.: **29/800,786**

(22) Filed: **Jul. 23, 2021**

Primary Examiner — Catherine S Posthauer
Assistant Examiner — Amina Rahman
(74) *Attorney, Agent, or Firm* — Paratus Law Group, PLLC

(30) **Foreign Application Priority Data**

Jan. 28, 2021 (KR) 30-2021-0004460

(51) **LOC (14) Cl.** **02-07**

(52) **U.S. Cl.**
USPC **D11/218**

(57) **CLAIM**

The ornamental design for a belt adjuster for bag, as shown and described.

(58) **Field of Classification Search**

USPC D2/627, 628, 629; D8/354, 371, 383;
D11/200, 202, 206, 210, 212, 216, 218;
D30/151–153
CPC A44B 11/00; A44B 11/02; A44B 11/04;
A44B 11/18; A44B 11/2557; A44B
13/0017; A44B 13/0023; A44B 13/0058;
A44B 11/2519

DESCRIPTION

FIG. 1 is a front, top, and right side perspective view of a belt adjuster for bag, showing our new design;
FIG. 2 is a front view thereof;
FIG. 3 is a back view thereof;
FIG. 4 is a left side view thereof;
FIG. 5 is a right side view thereof;
FIG. 6 is a top view thereof;
FIG. 7 is a bottom view thereof;
FIG. 8 is a cross-sectional view taken along line 8-8 shown in FIG. 2; and,
FIG. 9 is a reference view showing the belt adjuster for bag in use.

See application file for complete search history.

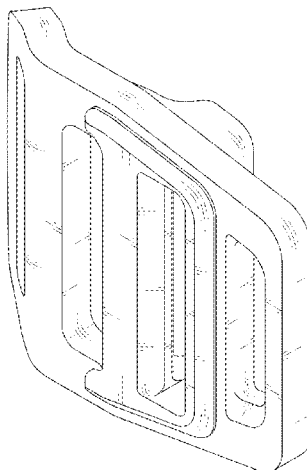
The long dash short dash broken lines and arrows shown in FIG. 2 are used to identify the cross-sectional view and form

(Continued)

(56) **References Cited**

U.S. PATENT DOCUMENTS

D56,246 S * 9/1920 Alterson D11/86
D134,137 S * 10/1942 Smith D11/218
D328,044 S * 7/1992 Murai 24/169
D328,045 S * 7/1992 Matoba D8/382
D352,254 S * 11/1994 Prosser D11/218
D352,255 S * 11/1994 Prosser D11/218



no part of the claimed design. The evenly spaced broken lines shown in FIG. 9 depict environment and form no part of the claimed design.

1 Claim, 6 Drawing Sheets

(56)

References Cited

U.S. PATENT DOCUMENTS

D456,309	S	*	4/2002	Yoshiguchi	D11/218
D491,103	S	*	6/2004	Uehara	D11/218
D505,094	S	*	5/2005	Matoba	D11/218
D558,088	S	*	12/2007	Pontaoe	D11/218
D576,077	S	*	9/2008	Yoshiguchi	D11/218
D595,612	S	*	7/2009	Pontaoe	D11/218
D610,946	S	*	3/2010	Harada	D11/218
D619,497	S	*	7/2010	Paik	D11/218
D631,787	S	*	2/2011	Grimm	D11/218
D653,169	S	*	1/2012	Lo	D11/218
D668,580	S	*	10/2012	Kax	D11/218
D671,442	S	*	11/2012	Paik	D11/216
D703,097	S	*	4/2014	Nanbu	D11/218
D703,100	S	*	4/2014	Saitsu	D11/218
D714,185	S	*	9/2014	Kelleghan	D11/218
D774,413	S	*	12/2016	Paik	D11/216
D823,717	S	*	7/2018	Ho	D11/218
D840,869	S	*	2/2019	Koreishi	D11/218
D858,349	S	*	9/2019	Ishii	D11/218
D907,528	S	*	1/2021	Paik	D11/218
D957,286	S	*	7/2022	Wemmer	D11/218
D962,117	S	*	8/2022	Paik	D11/218

* cited by examiner

FIG. 1

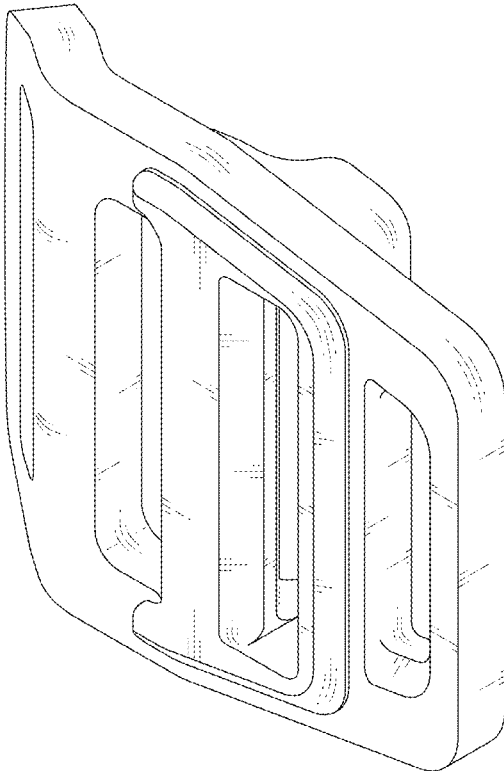


FIG. 2

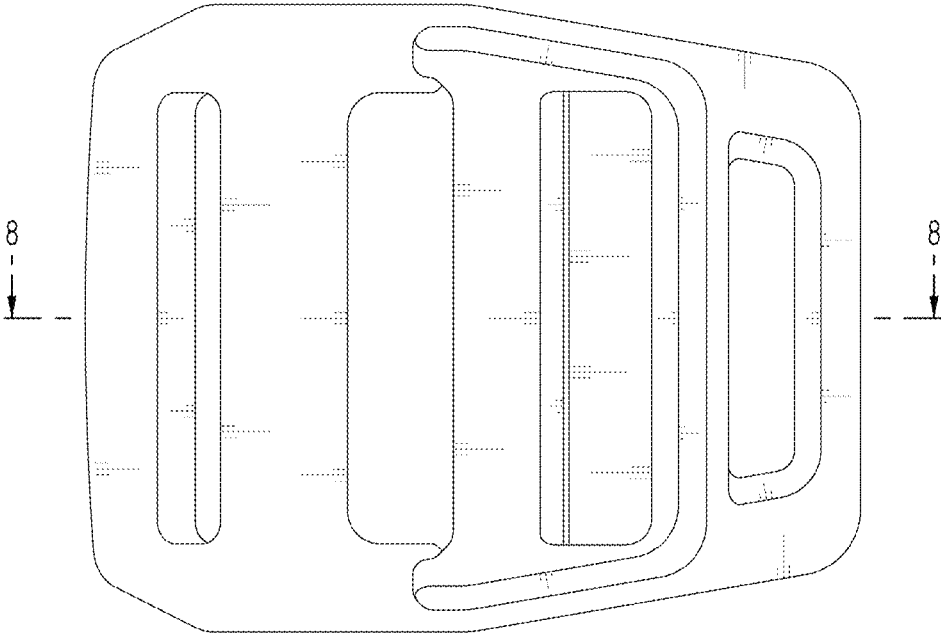


FIG. 3

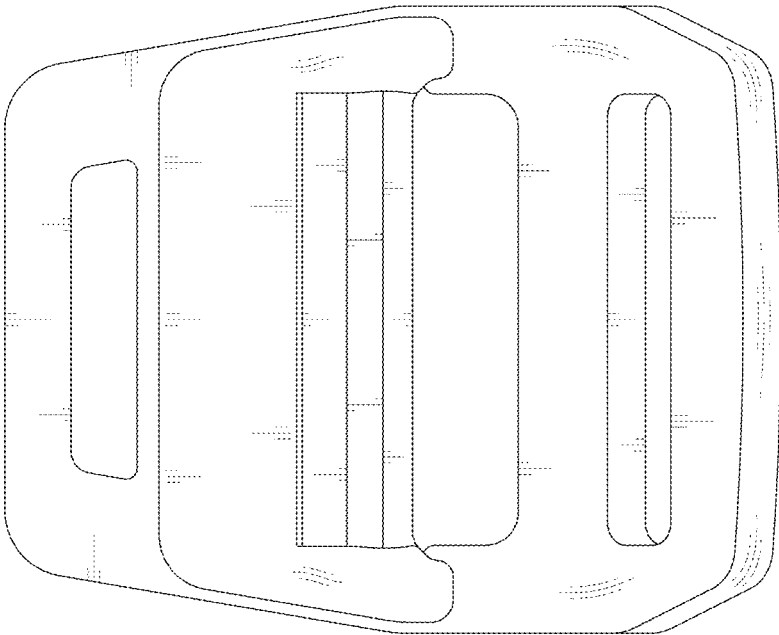


FIG. 4

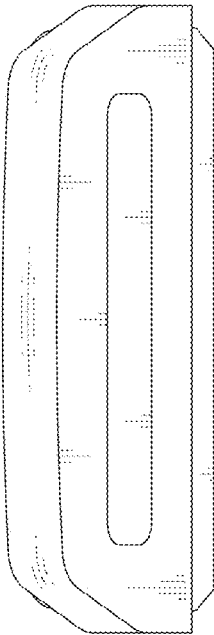


FIG. 5

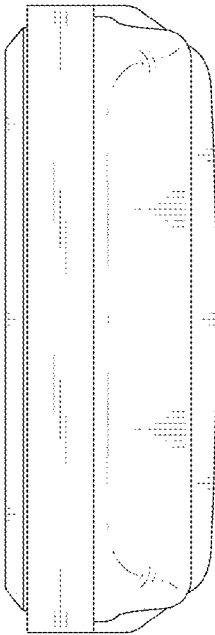


FIG. 6

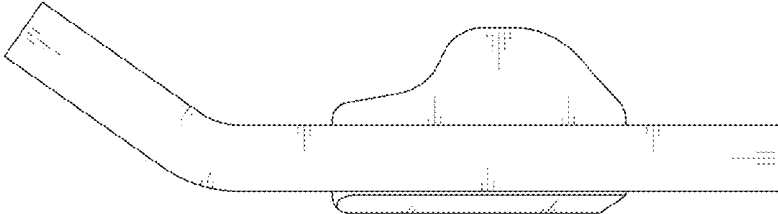


FIG. 7

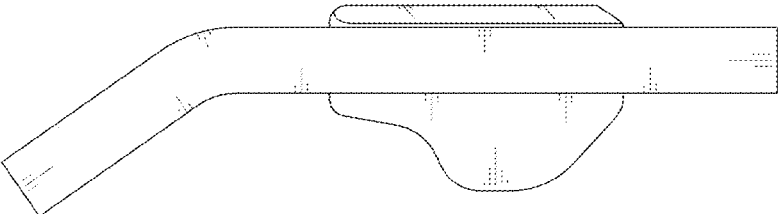


FIG. 8

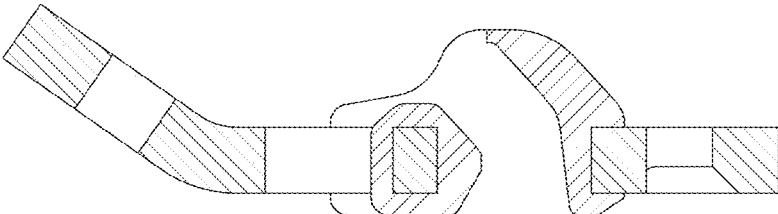


FIG. 9

