

(19) World Intellectual Property Organization
International Bureau



(43) International Publication Date
25 October 2007 (25.10.2007)

PCT

(10) International Publication Number
WO 2007/119099 A3

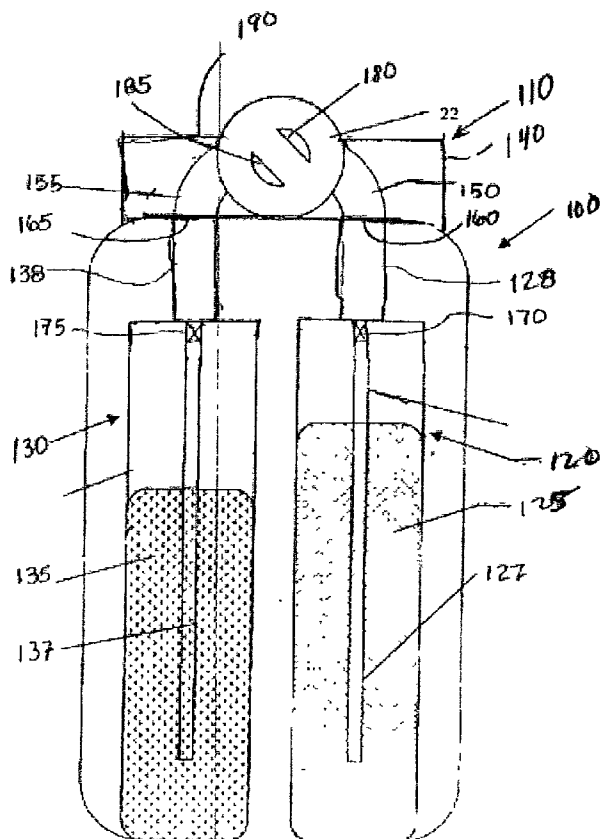
- (51) **International Patent Classification:**
B65D 83/68 (2006.01)
- (21) **International Application Number:**
PCT/IB2006/003705
- (22) **International Filing Date:**
12 September 2006 (12.09.2006)
- (25) **Filing Language:** English
- (26) **Publication Language:** English
- (30) **Priority Data:**
60/716,340 12 September 2005 (12.09.2005) US
11/406,133 18 April 2006 (18.04.2006) US
- (71) **Applicant (for all designated States except US):** **FOAMIX LTD.** [IL/IL]; Weizmann Science Park, 2 Holzman Street, 76124 Rehovot (IL).
- (72) **Inventors; and**
- (75) **Inventors/Applicants (for US only):** **EINI, Meir** [ILzTL]; 537 Har Hila Street, 71908 Maccabim (IL). **FRIEDMAN, Doron** [ILzTL]; 33 Alon Street, 99797 Karmei Yosef (IL). **TAMARKIN, Dov** [ILzTL]; 537 Har Hila Street,

71908 Maccabim (IL). **SCHUZ, David** [ILzTL]; 72, 73130 Moshav Gimzu (IL).

- (81) **Designated States (unless otherwise indicated, for every kind of national protection available):** AE, AG, AL, AM, AT, AU, AZ, BA, BB, BG, BR, BW, BY, BZ, CA, CH, CN, CO, CR, CU, CZ, DE, DK, DM, DZ, EC, EE, EG, ES, FI, GB, GD, GE, GH, GM, HN, HR, HU, ID, IL, IN, IS, JP, KE, KG, KM, KN, KP, KR, KZ, LA, LC, LK, LR, LS, LT, LU, LV, LY, MA, MD, ME, MG, MK, MN, MW, MX, MY, MZ, NA, NG, NI, NO, NZ, OM, PG, PH, PL, PT, RO, RS, RU, SC, SD, SE, SG, SK, SL, SM, SV, SY, TJ, TM, TN, TR, TT, TZ, UA, UG, US, UZ, VC, VN, ZA, ZM, ZW
- (84) **Designated States (unless otherwise indicated, for every kind of regional protection available):** ARIPO (BW, GH, GM, KE, LS, MW, MZ, NA, SD, SL, SZ, TZ, UG, ZM, ZW), Eurasian (AM, AZ, BY, KG, KZ, MD, RU, TJ, TM), European (AT, BE, BG, CH, CY, CZ, DE, DK, EE, ES, FI, FR, GB, GR, HU, IE, IS, IT, LT, LU, LV, MC, NL, PL, PT, RO, SE, SI, SK, TR), OAPI (BF, BJ, CF, CG, CI, CM, GA, GN, GQ, GW, ML, MR, NE, SN, TD, TG).

[Continued on next page]

(54) **Title:** APPARATUS AND METHOD FOR RELEASING A MEASURE OF CONTENT FROM A PLURALITY OF CONTAINERS



(57) **Abstract:** A dispenser head for use with a plurality of containers, each of the containers having a hollow stem through which contents are dispensed when the stem is activated, includes (a) a flow guide structured and positioned to receive a plurality of pressurized containers; (b) a plurality of flow conduits disposed within the flow guide, each of the plurality of flow conduits comprising an inlet and an outlet and each said inlet capable of engagement with a respective container stem; and (c) an actuator connected to the flow guide, wherein the actuator is structured and positioned to allow simultaneous flow communication between each of the plurality of flow conduits and a respective hollow stem, allowing substantially contemporaneously dispensing and/or combining of the content from a plurality of containers.

WO 2007/119099 A3



Published:

— *with international search report*

(88) Date of publication of the international search report:

2 May 2008

INTERNATIONAL SEARCH REPORT

International application No
PCT/IB2006/003705

<p>A. CLASSIFICATION OF SUBJECT MATTER INV. B65D83/68</p>				
<p>According to International Patent Classification (IPC) or to both national classification and IPC</p>				
<p>B. FIELDS SEARCHED</p> <p>Minimum documentation searched (classification system followed by classification symbols) B65D</p>				
<p>Documentation searched other than minimum documentation to the extent that such documents are included in the fields searched</p>				
<p>Electronic data base consulted during the international search (name of data base and, where practical, search terms used) EPO-Internal</p>				
<p>C. DOCUMENTS CONSIDERED TO BE RELEVANT</p>				
Category*	Citation of document, with indication, where appropriate, of the relevant passages	Relevant to claim No.		
X	<p>US 5 301 841 A (FUCHS KARL-HEINZ [DE]) 12 April 1994 (1994-04-12)</p> <p>column 1, lines 10-20 column 6, lines 12-26; figures</p> <p style="text-align:center">-----</p>	<p>1-24, 28-33, 35-56, 58-66, 69,71-74</p>		
X	<p>US 3 236 457 A (KENNEDY JOHN R ET AL) 22 February 1966 (1966-02-22)</p> <p>column 2, lines 36-52 column 3, lines 31-56; figures 3,7</p> <p style="text-align:center">-----</p> <p style="text-align:right">-/-</p>	<p>1-24,28, 30-32, 35-56, 58-66,69</p>		
<p><input checked="" type="checkbox"/> Further documents are listed in the continuation of Box C. <input checked="" type="checkbox"/> See patent family annex.</p>				
<p>* Special categories of cited documents :</p> <table style="width:100%; border:none;"> <tr> <td style="width:50%; border:none;"> <p>"A" document defining the general state of the art which is not considered to be of particular relevance</p> <p>"E" earlier document but published on or after the international filing date</p> <p>"L" document which may throw doubts on priority claim(s) or which is cited to establish the publication date of another citation or other special reason (as specified)</p> <p>"O" document referring to an oral disclosure, use, exhibition or other means</p> <p>"P" document published prior to the international filing date but later than the priority date claimed</p> </td> <td style="width:50%; border:none;"> <p>"T" later document published after the international filing date or priority date and not in conflict with the application but cited to understand the principle or theory underlying the invention</p> <p>"X" document of particular relevance; the claimed invention cannot be considered novel or cannot be considered to involve an inventive step when the document is taken alone</p> <p>"Y" document of particular relevance; the claimed invention cannot be considered to involve an inventive step when the document is combined with one or more other such documents, such combination being obvious to a person skilled in the art.</p> <p>"&" document member of the same patent family</p> </td> </tr> </table>			<p>"A" document defining the general state of the art which is not considered to be of particular relevance</p> <p>"E" earlier document but published on or after the international filing date</p> <p>"L" document which may throw doubts on priority claim(s) or which is cited to establish the publication date of another citation or other special reason (as specified)</p> <p>"O" document referring to an oral disclosure, use, exhibition or other means</p> <p>"P" document published prior to the international filing date but later than the priority date claimed</p>	<p>"T" later document published after the international filing date or priority date and not in conflict with the application but cited to understand the principle or theory underlying the invention</p> <p>"X" document of particular relevance; the claimed invention cannot be considered novel or cannot be considered to involve an inventive step when the document is taken alone</p> <p>"Y" document of particular relevance; the claimed invention cannot be considered to involve an inventive step when the document is combined with one or more other such documents, such combination being obvious to a person skilled in the art.</p> <p>"&" document member of the same patent family</p>
<p>"A" document defining the general state of the art which is not considered to be of particular relevance</p> <p>"E" earlier document but published on or after the international filing date</p> <p>"L" document which may throw doubts on priority claim(s) or which is cited to establish the publication date of another citation or other special reason (as specified)</p> <p>"O" document referring to an oral disclosure, use, exhibition or other means</p> <p>"P" document published prior to the international filing date but later than the priority date claimed</p>	<p>"T" later document published after the international filing date or priority date and not in conflict with the application but cited to understand the principle or theory underlying the invention</p> <p>"X" document of particular relevance; the claimed invention cannot be considered novel or cannot be considered to involve an inventive step when the document is taken alone</p> <p>"Y" document of particular relevance; the claimed invention cannot be considered to involve an inventive step when the document is combined with one or more other such documents, such combination being obvious to a person skilled in the art.</p> <p>"&" document member of the same patent family</p>			
<p>Date of the actual completion of the international search</p> <p style="text-align:center">10 October 2007</p>		<p>Date of mailing of the international search report</p> <p style="text-align:center">13 FEB. 2008</p>		
<p>Name and mailing address of the ISA/ European Patent Office, P.B. 5818 Patentlaan 2 NL- 2280 HV Rijswijk Tel. (+31-70) 340-2040, Tx. 31 651 epo nl, Fax: (+31-70) 340-3016</p>		<p>Authorized officer</p> <p style="text-align:center">Brevier, François</p>		

INTERNATIONAL SEARCH REPORT

International application No.
PCT/IB2006/003705

Box No. II Observations where certain claims were found unsearchable (Continuation of item 2 of first sheet)

This international search report has not been established in respect of certain claims under Article 17(2)(a) for the following reasons:

1. Claims Nos.:
because they relate to subject matter not required to be searched by this Authority, namely:

2. Claims Nos.:
because they relate to parts of the international application that do not comply with the prescribed requirements to such an extent that no meaningful international search can be carried out, specifically:

see FURTHER INFORMATION sheet PCT/ISA/210

3. Claims Nos.:
because they are dependent claims and are not drafted in accordance with the second and third sentences of Rule 6.4(a).

Box No. III Observations where unity of invention is lacking (Continuation of item 3 of first sheet)

This International Searching Authority found multiple inventions in this international application, as follows:

see additional sheet

1. As all required additional search fees were timely paid by the applicant, this international search report covers allsearchable claim.Q.

2. As all searchable claims could be searched without effort justifying an additional fees, this Authority did not invite payment of additional fees.

3. As only some of the required additional search fees were timely paid by the applicant, this international search report covers only those claims for which fees were paid, specifically claims Nos.:

4. No required additional search fees were timely paid by the applicant. Consequently, this international search report is restricted to the invention first mentioned in the claims; it is covered by claims Nos.:

1-66, 69, 71-74

Remark on Protest

- The additional search fees were accompanied by the applicant's protest and, where applicable, the payment of a protest fee.
- The additional search fees were accompanied by the applicant's protest but the applicable protest fee was not paid within the time limit specified in the invitation.
- No protest accompanied the payment of additional search fees.

FURTHER INFORMATION CONTINUED FROM PCT/ISA/ 210

Continuation of Box II.2

Claims Nos.:

The wording of claims 75, 76 refers to the description and the drawings in contradiction to Rule 6.2 (a) PCT and has not been searched.

The applicant's attention is drawn to the fact that claims relating to inventions in respect of which no international search report has been established need not be the subject of an international preliminary examination (Rule 66.1(e) PCT). The applicant is advised that the EPO policy when acting as an International Preliminary Examining Authority is normally not to carry out a preliminary examination on matter which has not been searched. This is the case irrespective of whether or not the claims are amended following receipt of the search report or during any Chapter II procedure. If the application proceeds into the regional phase before the EPO, the applicant is reminded that a search may be carried out during examination before the EPO (see EPO Guideline C-VI, 8.5), should the problems which led to the Article 17(2) declaration be overcome.

FURTHER INFORMATION CONTINUED FROM PCT/ISA/ 210

This International Searching Authority found multiple (groups of) inventions in this international application, as follows:

1. claims : 1-66, 69, 71-74

A dispenser head/a kit for use with a plurality of containers, comprising a plurality of flow conduits disposed within a flow guide wherein the flow guide/flow conduit is structured/positioned such that internal mixing between different container contents is prevented by substantially contemporaneously dispensing and/or combining the content from the plurality of containers external to the dispensing head.

2. claims: 67, 68, 70

A kit comprising a first and/or a second container comprising a first/second valve for releasing said first foamable composition from said first/second container; a first/second metering chamber in fluid communication with said first/second container and said first/second valve, said first/second metering chamber having a first/second upper wall and a first/second lower wall and defining a volume proportionate to a predetermined quantity of a first/second foamable composition to be delivered; and a first/second movable partition comprising a first/second seal located in said first/second metering chamber, said first/second movable partition capable of moving from a first resting position spaced apart from said first/second valve to a second sealing position in sealing arrangement with said first/second valve.

INTERNATIONAL SEARCH REPORT

International application No
PCT/IB2006/003705

C(Continuation). DOCUMENTS CONSIDERED TO BE RELEVANT

Category*	Citation of document, with indication, where appropriate, of the relevant passages	Relevant to claim No.
X	WO 2005/102539 A (AIRSPRAY N V [NL]; VAN DER HEIJDEN EDGAR IVO MARI [NL]) 3 November 2005 (2005-11-03) page 7, line 1 - page 8, last line ; figures 1-4b -----	1-28, 30-33, 35-66, 71-74
X	US 4 792 062 A (GONCALVES ANTONIN [FR]) 20 December 1988 (1988-12-20) column 3, line 62 - column 4, line 28; figures -----	1-28, 30-33, 35-66, 71-74
A	US 3 559 890 A (BROOKS WILLIAM R ET AL) 2 February 1971 (1971-02-02) abstract; figures -----	36,37
A	US 3 303 970 A (BRESLAU ALAN J ET AL) 14 February 1967 (1967-02-14) figure 2 -----	30
A	US 3 993 224 A (HARRISON STANLEY) 23 November 1976 (1976-11-23) abstract; figure 3 -----	25
A	US 6 672 483 B1 (ROY CHRISTOPHE [FR]) 6 January 2004 (2004-01-06) abstract; figure 5a -----	22

INTERNATIONAL SEARCH REPORT

International application No

PCT/IB2006/003705

Patent document cited in search report		Publication date	Patent family member(s)			Publication date
US 5301841	A	12-04-1994	AT	141232	T	15-08-1996
			DE	4102506	AI	30-07-1992
			EP	0497256	AI	05-08-1992
			ES	2090372	T3	16-10-1996
			JP	3007468	B2	07-02-2000
			JP	5170292	A	09-07-1993

US 3236457	A	22-02-1966	NONE			

wo 2005102539	A	03-11-2005	EP	1737581	AI	03-01-2007
			KR	20070011527	A	24-01-2007
			NL	1026031	C2	25-10-2005

US 4792062	A	20-12-1988	DE	3760729	DI	16-11-1989
			DE	245172	TI	25-02-1988
			EP	0245172	AI	11-11-1987
			FR	2598392	AI	13-11-1987
			GR	88300046	TI	18-10-1988
			GR	3000220	T3	31-12-1990
			JP	1819460	C	27-01-1994
			JP	5032108	B	14-05-1993
			JP	63000088	A	05-01-1988

US 3559890	A	02-02-1971	CA	919135	AI	16-01-1973
			JP	49041044	B	07-11-1974

US 3303970	A	14-02-1967	NONE			

US 3993224	A	23-11-1976	NONE			

US 6672483	BI	06-01-2004	AT	246047	T	15-08-2003
			AU	2302200	A	25-08-2000
			BR	0009136	A	26-03-2002
			CA	2361517	AI	10-08-2000
			CN	1338976	A	06-03-2002
			DE	60004166	DI	04-09-2003
			DE	60004166	T2	15-04-2004
			DK	1148953	T3	24-11-2003
			EP	1148953	AI	31-10-2001
			ES	2203417	T3	16-04-2004
			WO	0045963	AI	10-08-2000
			FR	2789371	AI	11-08-2000
			HK	1042666	AI	10-09-2004
			JP	2002536250	T	29-10-2002
			PT	1148953	T	31-12-2003
