



(51) International Patent Classification:

*E03D 9/00* (2006.01)     *B05B 3/02* (2006.01)  
*A61L 9/14* (2006.01)     *B05B 9/08* (2006.01)  
*A47K 13/30* (2006.01)

(21) International Application Number:

PCT/EP2012/057043

(22) International Filing Date:

18 April 2012 (18.04.2012)

(25) Filing Language:

English

(26) Publication Language:

English

(30) Priority Data:

11166060.1     13 May 2011 (13.05.2011)     EP

(71) Applicant (for all designated States except AE, AG, AU, BB, BH, BW, BZ, CA, CY, EG, GB, GD, GH, GM, IE, IL, IN, KE, KN, LC, LK, LS, MT, MW, MY, NA, NG, NZ, OM, PG, QA, RW, SC, SD, SG, SL, SZ, TT, TZ, UG, US, VC,

ZA, ZM, ZW): UNILEVER N.V. [NL/NL]; Weena 455, NL-3013 AL Rotterdam (NL).

(71) Applicant (for AE, AG, AU, BB, BH, BW, BZ, CA, CY, EG, GB, GD, GH, GM, IE, IL, KE, KN, LC, LK, LS, MT, MW, MY, NA, NG, NZ, OM, PG, QA, RW, SC, SD, SG, SL, SZ, TT, TZ, UG, VC, ZA, ZM, ZW only): UNILEVER PLC [GB/GB]; Unilever House, 100 Victoria Embankment, London, Greater London EC4Y 0DY (GB).

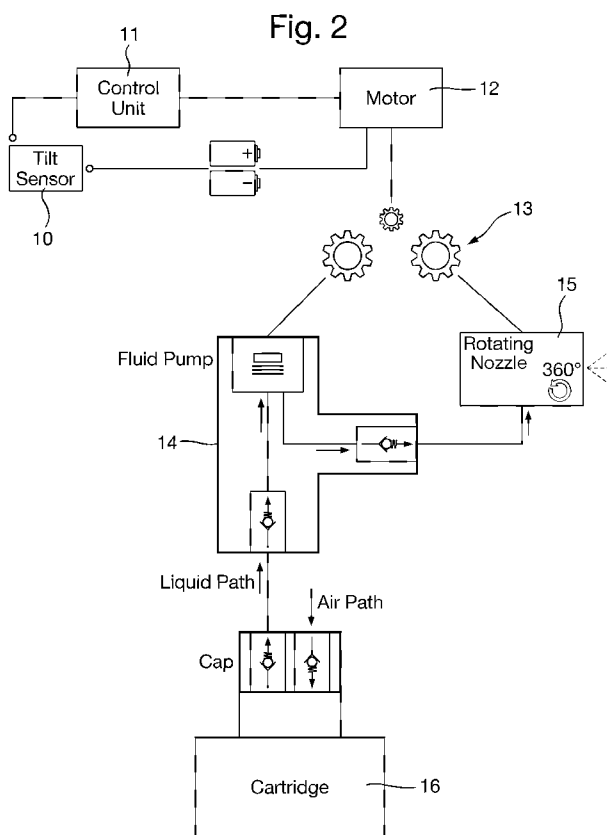
(71) Applicant (for IN only): HINDUSTAN UNILEVER LIMITED [IN/IN]; Unilever House, B.D. Sawant Marg Chakala Andheri (East), Mumbai, Maharashtra 400 099 (IN).

(72) Inventors; and

(75) Inventors/Applicants (for US only): CARPENTER, Matthew, Chace [US/US]; Ximedica, 55 Dupont Drive, Providence, Rhode Island 02907 (US). FOCHT, Kenneth, Allen [US/US]; Ximedica, 55 Dupont Drive, Providence, Rhode Island 02907 (US). PASQUINI, Federico [IT/IT]; Unilever Italy Holdings s.r.l., Via Lever Gibbs 3, I-26841

[Continued on next page]

(54) Title: SPRAYING DEVICE



(57) Abstract: The present invention relates to a automated spraying device for spraying an enclosure with a liquid cleanser, the device having, -- a reservoir (16) for containing the liquid cleanser, -- a pump (14) in fluid communication with the reservoir, and -- a movable spray head (15) having an outlet orifice through which cleanser from the reservoir can be expelled during operation of the pump if there is such liquid cleanser in the reservoir. Said spraying device also contains an electrical motor drive mechanism (12) for sequentially operating the pump (14) and moving the spray head (15) to modify the direction of the spray there from, such that the spray head is not simultaneously spraying and moving. Furthermore, the spray head is suitable for producing an aerosol whereby the Dv50 of the aerosol is in the range of from 30 to 70 micron.

WO 2012/156170 A1



Casalpusterlengo (IT). **PIETRASANTA, Davide** [IT/IT]; Unilever Italy Holdings s.r.l., Via Lever Gibbs 3, I-26841 Casalpusterlengo (IT). **SORZE, Andrea, Dias** [BR/IT]; Unilever Italy Holdings s.r.l., Via Lever Gibbs, I-26841 Casalpusterlengo (IT).

(74) **Agent: ROSEN JACOBSON, Frans, L. M.**; Unilever Patent Group, Olivier van Noortlaan 120, NL-3133 AT Vlaardingen (NL).

(81) **Designated States** (*unless otherwise indicated, for every kind of national protection available*): AE, AG, AL, AM, AO, AT, AU, AZ, BA, BB, BG, BH, BR, BW, BY, BZ, CA, CH, CL, CN, CO, CR, CU, CZ, DE, DK, DM, DO, DZ, EC, EE, EG, ES, FI, GB, GD, GE, GH, GM, GT, HN, HR, HU, ID, IL, IN, IS, JP, KE, KG, KM, KN, KP, KR, KZ, LA, LC, LK, LR, LS, LT, LU, LY, MA, MD, ME, MG, MK, MN, MW, MX, MY, MZ, NA, NG, NI,

NO, NZ, OM, PE, PG, PH, PL, PT, QA, RO, RS, RU, RW, SC, SD, SE, SG, SK, SL, SM, ST, SV, SY, TH, TJ, TM, TN, TR, TT, TZ, UA, UG, US, UZ, VC, VN, ZA, ZM, ZW.

(84) **Designated States** (*unless otherwise indicated, for every kind of regional protection available*): ARIPO (BW, GH, GM, KE, LR, LS, MW, MZ, NA, RW, SD, SL, SZ, TZ, UG, ZM, ZW), Eurasian (AM, AZ, BY, KG, KZ, MD, RU, TJ, TM), European (AL, AT, BE, BG, CH, CY, CZ, DE, DK, EE, ES, FI, FR, GB, GR, HR, HU, IE, IS, IT, LT, LU, LV, MC, MK, MT, NL, NO, PL, PT, RO, RS, SE, SI, SK, SM, TR), OAPI (BF, BJ, CF, CG, CI, CM, GA, GN, GQ, GW, ML, MR, NE, SN, TD, TG).

**Published:**

— *with international search report (Art. 21(3))*

**Spraying device****Field of the invention**

The present invention relates to a cleaner spraying device for  
5 automatically spraying an enclosure. In particular, the  
invention relates to a cleaner spraying device which is suited  
for automatically cleaning a toilet bowl, more specifically for  
treatment of micro-organisms and viruses that become airborne  
in the inner volume of the toilet bowl during flushing.

10

**Background of the invention**

It is well known that every time the toilet is flushed after  
use, thousands of bacteria and virus particles are catapulted  
into the air, travelling as far as two meters or more out of  
15 and up from the toilet bowl as a fine invisible mist. An  
existing hypothesis refers to the greatest bacterial mist  
dispersal occurring not during the initial moments of the  
flush, but rather once most of the water has already left the  
bowl.

20

The bacterial mist can remain airborne for over two hours,  
floating around in the air and spreading over the room to  
finally settle on and thus contaminating the available surfaces  
around the toilet. This spread of faeces originating bacteria  
25 and/or viruses over the bathroom is undesirable with respect to  
hygiene and could even cause serious health problems. Examples  
of surfaces on which deposition of pathogenic micro-organisms  
or viruses is highly undesirable are toothbrushes, hairbrushes,  
light switches, and the toilet paper.

30

There is thus a need to prevent the spread of active airborne micro-organisms and viruses from the toilet after flushing, in particular when pathogenic micro-organisms are involved.

5 Several attempts have been made to solve the problem of these airborne micro-organisms and viruses.

US5906009 discloses a toilet bowl that has gases and bacteria or virus-laden mist removed directly therefrom by an air  
10 evacuation system, both during and after use of the toilet. The disadvantage of such a solution is that it requires a special toilet bowl and a separate and relatively expensive air evacuation system.

15 W000/01423 discloses a method of disinfecting or sanitising a space occupied by airborne micro-organisms and/or viruses, which method comprises directing into the space unipolar charged liquid droplets from a spray device containing a disinfecting or sanitising composition. It is not disclosed  
20 that the space occupied by airborne micro-organisms and/or viruses is the space inside the toilet bowl. Since the preferred spray device is a domestic pressure-spraying device capable of being hand held, it is evident that the space referred to in this document is open to the user. The use of  
25 such a hand-held spraying device has several disadvantages. First of all it is cumbersome to use compared to an automatic sprayer. Secondly, the user is in the same space as the sprayed droplets, and will undoubtedly be in contact with at least a small part of the sprayed composition. Thirdly, since the space  
30 containing the airborne micro-organisms and/or viruses is open to the user it is very likely that the user will be contacted by these micro-organisms and/or viruses.

EP-B-1,467,820 discloses an automated sprayer for spraying an enclosure with a liquid cleanser, whereby the sprayer contains a reservoir for holding the liquid cleanser, a pump in fluid communication with the reservoir and a movable spray head

5 having an outlet orifice through which cleanser from the reservoir can be expelled during operation of the pump. The sprayer disclosed by this document also contains an electric motor drive mechanism for operating the pump and also simultaneously moving the spray head.

10 Although it is mentioned in EP-B-1,467,820 that the enclosure could suitably be a toilet bowl (with the lid in closed position), the automated sprayer disclosed in said document is mainly for use in bath and shower enclosures.

15 It is an object of the present invention to provide a device that is capable of eliminating within a toilet bowl, the airborne micro-organisms and viruses generated during flushing of the toilet. In addition, it is an object of the current invention to provide a device that prevents the airborne micro-  
20 organisms and viruses generated during flushing to spread around the bath room.

A further objective of the invention is to provide a device that generates an aerosol of a disinfecting or sanitising fluid. Another objective of the invention is to provide a  
25 device that properly sanitizes the toilet after use.

Another object of the invention is to provide a device that reduces the chance that a user of the toilet comes in contact with airborne micro-organisms and viruses and/or disinfecting or sanitising fluid. Another objective of the invention is to  
30 provide a device that avoids the user having to reach into the toilet bowl to (re-)place the device. A further objective of the invention is to provide a device that is easy in use.

Another objective of the invention is to provide a device that is small and compact. Another objective of the invention is to provide a device that for environmental and economic reasons only consumes a small amount of a disinfecting or sanitising  
5 fluid per use. Another objective of the invention is to provide a device that can be easily re-filled. Another objective of the invention is to provide a device that will work automatically. Another objective of the invention is to provide a device that will only work when the toilet lid is closed. Another objective  
10 of the invention is to provide a device that will only be activated at the most appropriate time. Finally, it is an objective of the invention to provide a device that will remain active for an effective amount of time.

15 It was surprisingly found that one or more of the above objects can be achieved by an automated spraying device according to the present invention, said device being suitable for spraying an enclosure, in particular a toilet bowl. More in particular, it was found that airborne micro-organisms and viruses  
20 generated during flushing of the toilet after use can be significantly reduced within the toilet bowl by using the device of the invention, thus avoiding contamination of any surfaces outside the toilet bowl and at the same time sanitizing the inside of the toilet bowl itself. Furthermore,  
25 it was found that the inner surface of a toilet bowl including the area under the rim thereof can be properly sanitized by the device of the invention. It is considered that this is the beneficial effect of the aerosol which said device is able to produce.

**Definition of the invention**

Accordingly, in one aspect the present invention provides an automated spraying device for spraying an enclosure with a liquid cleanser, the device having,

- 5 -- a reservoir suitable for containing the liquid cleanser,
- a pump in fluid communication with the reservoir,
- a movable spray head having an outlet orifice through which cleanser from the reservoir can be expelled during operation of the pump if there is such liquid cleanser in the reservoir,
- 10 characterised in that the spraying device also contains an electrical motor drive mechanism for sequentially operating the pump and moving the spray head to modify the direction of the spray there from, such that the spray head is not simultaneously spraying and moving, and in that the spray head
- 15 is suitable for producing an aerosol whereby the Dv50 of the aerosol is from 30 to 70 micron, preferably from 40 to 60 micron.

Preferably, the spraying device of the invention contains a

20 gearing system which has a configuration such that flow of liquid cleanser to the spray head is interrupted when the spray head is moved by action of the motor drive mechanism.

Furthermore, it is desirable that the motor drive mechanism can rotate the spray head, preferably over an angle of 360 C.

25

In a second aspect, the present invention provides a method for disinfecting and sanitizing the inner volume of a toilet bowl containing airborne micro-organisms and/or viruses generated during and/or after flushing, said method comprising the steps

30 of attaching a spraying device of the invention to the bottom side of a toilet lid, closing the lid, flushing the toilet, and actuating the device. Most preferably, the spraying device is actuated by carrying out the following consecutive steps:

(a) spraying a predetermined amount of liquid cleanser,  
followed by,

(b) rotating the spray head, preferably over an angle of 72 C,  
and repeating steps (a) and (b) at least 5 times.

5 Preferably, the above steps (a) and (b) are repeated for at  
most 15 times, more preferably at most 10 times.

In a third aspect, the invention provides the use of a device  
of the invention, for disinfecting and/or sanitizing the air  
10 present in the inner volume of a toilet bowl after flushing  
said toilet.

#### **Detailed description of the invention**

For the purpose of this invention an aerosol is a gaseous or  
15 airborne cloud of particles. These particles are either a solid  
or liquid or a combination of both. The particles are larger  
than a molecule but small enough to allow them to remain  
suspended in the atmosphere for a certain amount of time (e.g.  
over the length of a toilet flush). The average diameter of the  
20 particles falls within the range of from 30 to 70  $\mu\text{m}$ .

Preferably the average diameter of the particles falls within  
the range of from 40 to 60  $\mu\text{m}$  as measured using standard  
particle size measurement apparatus (ex Malvern Spraytec Dv50  
measurement) and sprays at 25°C taking an average of 3 repeat  
25 measurements.

The particle size specification used in this invention is the  
volume median particle diameter (Dv50). This Volume Median  
Diameter is the diameter of a single droplet, whose volume,  
30 when multiplied by the total number of droplets in the spray,  
is found to equal the total spray volume. The volume median  
diameter is calculated by dividing the total spray volume in

half (50% of the total volume will have larger diameter droplets and 50% will have smaller diameter droplets).

The aerosol generated may be described by the rate of delivery  
5 and the shape of the cone of particles leaving the device.  
Preferably the rate of delivery is from 0.001 to 3.0 g/second,  
more preferably 0.005 to 2.5 g/second.  
Most preferable is a delivery rate of 0.0075 to 2.0 g/second.  
The cone formed by the aerosol may have a wide angle nearing  
10 180° but is preferably less than 90°, more preferably less than  
75°, still more preferably less than 60°, even more preferably  
less than 35°, most preferably less than 25°. The cone angle may  
be measured from still photographs of the cone taken with a  
Nikon SLR D80 camera. The cone angle is measured from one edge  
15 of the cone to the other. The spray pattern of the created cone  
may be hollow but a full cone spray pattern with a uniform  
distribution throughout the cone is preferred.

The term sanitising as used in this application refers to a  
lower level of germ control, killing about 50 to 75% of the  
20 germs present on a surface or in the air.

For the purposes of this patent, disinfecting can be understood  
as a higher level of germ control than meant with sanitising  
(i.e. over 75% germ kill). Under controlled conditions a  
disinfecting solution provides a 100,000 fold or better  
25 reduction in the number of viable micro-organisms (using a  
specific culture that is treated with the disinfecting solution  
for an appropriate time period, normally 5 minutes). This is  
generally known as a '5 log reduction'.

30 The inner volume of the toilet bowl is defined by the space  
enclosed by the toilet bowl, the water in the bowl, and the  
toilet lid when the lid is in the closed (lowered) position.

The bottom-side of the toilet lid is the side of the lid that faces the inner side of the toilet bowl when it is in its closed (lowered) position.

5 The spray head is preferably suitable for generating the aerosol, by breaking up the liquid cleanser into aerosol sized particles having an average diameter falling within the desired range(s). For obtaining an aerosol with an average particle size according to the present invention at a rate of delivery  
10 through the spray head of 0.001 to 3.1 gr/sec, the spray head preferably contains an orifice having a diameter of 0.15-0.3 mm.

It is also preferred that the spray head splits the incoming fluid flow into separate fluid streams which flow tangentially  
15 into a swirl chamber, so as to create a fluid vortex just prior to spray discharge through the orifice.

When flowing through the orifice, the flow of cleaning fluid accelerates, whereby it breaks up first into fluid ligaments and subsequently into droplets.

20

Apart from the size of the orifice and the design of the spray head, the mass flow rate there through and the pressure inside the spray head may also affect the particle size of the aerosol.

25 It has been found that said mass flow rate is desirably 0.5-1 ml/second for obtaining the above rate of delivery, whereas said pressure is suitably 3-7 bar.

Other factors that may affect the average particle size of the aerosol are the density and the viscosity of the cleaning fluid  
30 which are preferably about 1 kg/litre respectively 1-10 centipoise.

When in operation, the disinfecting or sanitizing liquid cleanser is transferred from the reservoir to and/or through the spray head by the action of a pump. Suitable pumps may be selected from pneumatically or electrically operated pumps.

5 Preferably, the pump is electrically operated. By way of non-limiting example such an electrically operated pump may be a gear pump, an impeller pump, a positive displacement pump, a rotary pump, a piston pump, a screw pump, a peristaltic pump, a diaphragm pump, or any other pump which may be incorporated  
10 into the liquid cleanser spraying device.

The means for transferring the fluid also comprises the necessary tubing or conduits for transferring the fluid from the reservoir to the spray head.

15 The spraying device of the invention preferably contains means for attaching it to the bottom side of the lid of a toilet. Said means cover any aid, appliance or tool that may be used to secure the device temporarily or permanently to the toilet lid. Non limiting examples of such means are a layer or drop of  
20 adhesive, double sided tape and Velcro. It is however, also possible to use a clamp, a hook, a screw, a bayonet fitting or similar means to attach the device to the lid. Alternatively, a combination of different securing aids, appliances and/or tools might be used.

25

The three main sub-units of the spraying device (i.e. the reservoir for holding the liquid cleanser, the spray head for generating the aerosol and the pump) may all be placed on the bottom-side of the toilet lid at different discrete locations.

30 It is also possible that two of these sub-units are placed on the lid together while the third sub-unit is placed on the lid at a distance from the other two. Preferably the device is

compact and may be placed on the bottom-side of the lid as a single unit containing all three main sub-units.

It is preferred that the spraying device can only operate for  
5 spraying the toilet bowl and generating the aerosol when the lid is in the closed position. This may preferably be achieved by using one or more sensors that detect the position of the lid and will only allow activation of the device as long as it is detected that the lid is in the closed (lowered) position or  
10 once it was detected that the lid has been closed. Non limiting examples of sensors that may be used to detect the position of the lid are, motion sensors, position switches (like a mercury switch, or a simple metal ball that moves from a first (inactive) position to second (active) position upon  
15 repositioning of the toilet lid), light sensors, sound sensors, pressure sensors and weight sensors.

Optionally the signal from the sensor(s) indicating that the lid is in the closed position may be relayed to a timer. This  
20 timer controls the delay with which the device starts spraying and creating the aerosol after it has been detected that the lid is in the closed position. Preferably, the timer also controls the duration for which the device dispenses the aerosol.

25

In another embodiment the device may make use of one or more sensors for detecting that the toilet is being flushed. Such sensors may be used to detect the start of the flush, the flushing cycle it self and/or the end of the flush. Depending  
30 on the type of sensors used, these may for example be placed in or on the button for activating the flush, under the rim of the toilet bowl, in the reservoir holding the flush water, on the toilet lid, or any other position suitable for detecting the

flush. Non-limiting example of sensors that may be used for detecting the flush are, motion sensors, pressure sensors, sound sensors, position sensors, humidity sensors and water level sensors.

5

The signal of the sensor(s) for detecting the flush is preferably relayed to the timer allowing the timer to control the start and duration of the spraying operation and aerosol generation by the dispensing device in relation to the  
10 advancement of the flushing cycle.

Most preferably the signal(s) from the sensor(s) detecting the position of the lid as well as the signal(s) from the sensor(s) detecting the flush are relayed to the timer. This allows a  
15 timer/controller to activate the dispensing device at a time and for a duration that is closely related to the advancement of the flush, but only when a signal has been (or is being) received that the lid is (still) in the closed position.

20 The operation of the spraying device may last for duration of time, preferably from 1 to 60 seconds, most preferably from 10 to 40 seconds. Preferably the spraying and moving of the spray head starts on the initiation of the flush. Preferably up to 30 to 60 seconds post initiation, most preferably starting from  
25 initiation of the flush up to 15 to 20 seconds post initiation.

The device contains an electric power source for enabling the electric motor drive mechanism to sequentially operate the pump and move the spray head according to the invention. In addition  
30 to the pump and the spray head for generating the aerosol, the sensors and the timer/controller may also be fed by the electric power source. The electric power may be supplied by one or more batteries, such as single-use batteries or

rechargeable batteries, one or more photovoltaic cells, the main supply or combinations thereof. An example of such a combination may be the combination of one or more batteries, with one or more photovoltaic panels. Alternatively, the power  
5 supply provided may be a combination of one or more batteries and/or one or more photovoltaic panels which are used to generate a charge which is stored in one or more capacitors, the discharge of such capacitors is used to supply the electric power.

10 Preferably, the device is fed by one or more single-use or rechargeable batteries.

Preferably, the device is constructed and placed on the lid in such a way that it is easy for the user to re-load the device  
15 with the disinfecting or sanitising cleansing fluid. One option of reloading the device is by re-filling the reservoir with the disinfecting or sanitising fluid without having to remove the reservoir from the device and/or lid. A second option of reloading the device is by removing the reservoir from the  
20 device and/or lid, re-filling the removed reservoir, followed by placing the re-filled reservoir back in the device and/or on the lid. A third and preferred option of reloading the device is by replacing the empty reservoir by a second (loaded) reservoir (i.e. a re-fill cartridge).

25

The volume of the reservoir may fall within the range of from 5 to 200 ml, preferably from 10 to 100 ml, more preferably from 15 to 60 ml, most preferably from 30 to 50 ml.

30 Optionally, when using a new re-fill cartridge, this re-fill cartridge may be configured such that it also contains one or more fresh batteries as the electric power source. The user may

thus, very conveniently, replenish the disinfecting and/or sanitising cleanser fluid and the power source simultaneously.

As is clear from the above description, the device can be  
5 constructed in many different ways while still delivering an effective aerosol. Depending on the chosen system for generating energy, the dimensions of the spray head and the composition of the disinfecting and/or sanitising cleansing fluid, the preferred rate of delivery and the particle size of  
10 the aerosol will vary.

Preferably, the disinfecting or sanitising liquid cleanser used in the device of this invention comprises at least one compound selected from the group comprising biocides, fragrances,  
15 surfactants, solubilizers or hydrotropes, colorants and odour immobilisers.

### **Biocides**

Suitable biocides may be selected from the group consisting of  
20 oxidising biocides, low molecular weight alcohols, cationic materials, hydrogen ion donators with a starting pH (i.e. pH of disinfecting or sanitising fluid prior to spraying) below pH 3, substituted phenolic biocides, essential oils and metal ions having biocidal properties.

25

Suitable oxidising biocides may be selected from the group consisting of materials yielding a hypochlorite or hypobromite species on aqueous solution (for example alkali metal and alkaline earth metal hypochlorites and hypochlorite addition  
30 products such as the hetrocyclic N-bromo and N-chloro imides (specific examples being sodium hypochlorite, potassium hypochlorite, calcium hypochlorite, magnesium hypochlorite, sodium hypobromite, potassium hypobromite, calcium hypobromite,

magnesium hypobromite, sodium bromide, sodium dichloroisocyanurate, potassium dichloroisocyanurate, trichloroisocyanuric acid)), hydantoins (such as 1,3-dichloro-5,5-dimethylhydantoin, N-monochloro-5,5-dimethylhydantoin, N-bromo-N-chloro-5,5-dimethylhydantoin, N-bromo-N-chloro-5-ethyl-5-methylhydantoin), materials liberating free iodine in aqueous solution (such as povidone iodine, lugols iodine, tincture of iodine), chlorine dioxide, chlorine dioxide producing materials, peroxides (such as hydrogen peroxide) and peroxygen generators (examples being peracetic acid, sodium percarbonate, sodium perborate, potassium percarbonate, sodium percarbonate).

Suitable low molecular weight alcohols may be selected from the group consisting of methanol, ethanol, propanol and butanol.

15

Suitable cationic materials may be selected from the group consisting of cationic polymers (such as polyhexamethylene biguanide (PHMB) and its salts) and quaternary ammonium compounds having at least one C8-22 aliphatic or alkyl aromatic group (e.g. alkyl benzyldimethyl-ammonium chloride, didecyldimethylammonium chloride, cetyltrimethylammonium chloride).

Suitable hydrogen ion donators with a starting pH below pH 3.0, more preferably below pH 1.3 and even more preferably below pH 1.1 may be selected from the group consisting of mineral acids (such as hydrochloric acid, sulphuric acid, phosphoric acid and nitric acid) and organic acids (such as formic acid, citric acid, lactic acid and acetic acid).

30

Suitable substituted phenolic biocides may be selected from the group consisting of substituted phenolic biocides where substitution occurred with one or more halogen atoms or one or

more alkyl groups (examples including ortho-, meta- and para-cresols, ortho phenyl phenol, xylenols, trichlorophenols and more complex materials such as 4-chloro-3:5 dimethyl phenol (PCMX)).

5 Another very suitable type of biocide is benzalkonium chloride.

Suitable essential oils with known antimicrobial properties may be selected from the group consisting of Sideritis or Greek Mountain Tea , Oregano oil, Tea tree oil, Mint oil, Sandalwood  
10 oil, Nigella sativa oil, Lavender oil, Lavender oil, Lemon oil, Neem oil, Eucalyptus oil, Peppermint oil, Cinnamon oil and Thyme oil. Suitable metal ions having biocidal properties may be selected from the group consisting of silver ions, copper ions, zinc ions and salts liberating these silver, copper or  
15 zinc ions .

Suitable amounts of biocides depend on the nature of the biocide and are usually easily determined by a skilled person. However general guidelines are more than 75 wt%, more  
20 preferably more than 90 wt% for low molecular weight alcohols. Suitable amounts for substituted phenolic biocides, cationic materials and/or oxidising biocides ranges from 0.1 wt% to 30 wt%, more preferably from 0.5 wt% to 15 wt%, even more preferably from 1 wt% to 9 wt% and most preferably from 2 wt%  
25 to 5 wt%.

### **Fragrances**

For the purpose of this invention any type of fragrance compositions and/or aromatic oil may be suitable,  
30 particularly those with high solubility in water and/or alcoholic solutions, most particularly those stable in the presence of chlorine bleach or bleaching agents or oxidizing agents. Suitable amounts of fragrances range from 0.01 wt% to

10 wt%, more preferably from 0.1 wt% to 5 wt%, even more preferably from 0.5 wt% to 3 wt% and most preferably from 1 to 2 wt%. The level of fragrance may vary whether the composition has an aqueous base or a non-aqueous base. For aqueous based compositions the level of fragrance is usually higher than for non-aqueous based compositions. A composition is aqueous based if it comprises more than 50 wt% of water.

### Surfactants

10 Suitable surfactants may be selected from the group consisting of anionic surfactants (like for example sulphates (e.g. C10 - C18 laureth and pareth with ethylene oxide units 0 to 3 sulphated), sulphonates (e.g. alkyl benzene sulphonated with MMW 300-350), carboxylates (e.g. alkali metal and alkaline earth metal salts of fatty acids C10-C18)), non-ionic surfactants (e.g. fatty alcohol ethoxylate having HLB 7 to 20, sorbitan ethoxylate having HLB 7 to 20, alkyl poly glycosides with carbon chain between C8-C16 with DPI 1.4-1.6 and HLB 11.6 to 13.6, n-alkyl pyrrolidones with HLB 3 to 6) , cationic surfactants (like quaternary ammonium compounds having at least one C8-22 aliphatic or alkyl aromatic group (e.g. alkyl benzyldimethyl-ammonium chloride, didecyldimethylammonium chloride, cetyltrimethylammonium chloride) and zwitterionic surfactants (e.g. dimethyl-alkyl amine oxide with carbon chain C12-C18).

25 Suitable amounts of surfactants range from 0.01 wt% to 30 wt%, more preferably from 2 wt% to 25 wt%, even more preferably from 5 wt% to 15 wt% and most preferably from 7 to 10 wt%.

### 30 Solvents or Hydrotropes

Suitable solvents (or hydrotropes) may be selected from the group consisting of low molecular weight alcohols (containing 2 to 4 Carbon atoms, e.g. primary, secondary or tertiary alcohols

like ethanol, isopropanol, tert-butanol), ethylene and propylene glycols and their mono C1-C6 ethers (e.g. dimethoxyethane (glyme)), low molecular weight alcohol amines (e.g. monoethanolamina), and glycerol or its derivatives (like glycerides). For aqueous based compositions suitable amounts of solvents range from 0.01 wt% to 30 wt%, more preferably from 2 wt% to 25 wt%, even more preferably from 5 wt% to 15 wt% and most preferably from 7 to 10 wt%. For non-aqueous based compositions suitable amounts of solvents range from 25 wt% to 95 wt%, more preferably from 40 wt% to 90 wt%, even more preferably from 50 wt% to 80 wt% and most preferably from 60 to 75 wt%. It should be understood that for the purpose of this invention when low molecular alcohols are used as biocides that they are counted as solvents or hydrotropes.

15

**Optional other components:**

Optional other components may be selected from the group consisting of salts, dyes, and other benefits' agents like odour removal/masking ingredients (e.g. Zn ricinoleate), nebulised/atomized particle size modulators which include surface tension modifiers (static & dynamic), and polymers & rheology modifier (synthetic and/or natural)

The overall disinfecting or sanitising fluid may be a water based composition or a non aqueous based composition.

A preferred embodiment of the present invention may use a biocide selected from the group of methanol, ethanol, propanol, butanol, PHMB, benzalkonium chloride and hypochlorite.

30

The preferred disinfecting or sanitising fluid contains one of the following biocides at the specified concentrations (wt%):

- Hypochlorite concentration: from 0.05 to 4%, preferably from 0.1 to 3%;
- Ethanol: from 25 to 95%, preferably from 75 to 95%;
- PHMB: from 1 to 20%, preferably 5 to 20%, more preferably  
5 10-20%;
- Benzalkonium chloride: from 0.75 to 3%

To achieve optimal sanitising action of airborne bacteria it is critical to deliver an effective amount of a suitable biocide  
10 into the airspace to be sanitised.

A suitable way to use the device may be as follows:

The user may place the device on the bottom-side of the toilet lid. In case the device makes use of remote sensors these may  
15 be placed on the appropriate positions of the toilet as well. The device and any (optional) remote sensors only need to be placed in position once, after which the device may be used for between 2 and 2000 activations, preferably between 5 and 200 activations, more preferably between 5 and 100 activations.  
20 After using the toilet, the user closes the lid and subsequently flushes the toilet. Following these actions the spraying device may automatically be activated: as a result, it starts to sequentially dispense the disinfecting and/or sanitising fluid as an aerosol into the inner volume of the  
25 toilet bowl and rotate the spray head. The device may remain active until enough fluid is dispensed to effectively kill more than 50%, preferably more than 75%, more preferably more than 90%, more preferably at least 99%, most preferably more than 99.9% of the airborne micro-organisms and/or viruses that were  
30 created during the flush.

Preferably the aerosol is forced to flow away from the spraying device into the toilet bowl in such a way that the aerosol particles may spread evenly over the whole inner volume of the toilet bowl. Preferably, it is avoided to cover one side of the inner volume of the toilet bowl more than its opposite side. An aerosol spray that is biased to cover one side of the inner volume of the toilet bowl more than its opposite side might cause a significant difference in concentration of disinfecting or sanitising aerosol droplets from one part of the bowl volume to the other. This may cause the airborne bacteria and viruses present in the area where there is a low(er) concentration of disinfecting or sanitising aerosol droplets to survive the treatment.

The spraying device may be placed anywhere on the bottom-side of the toilet lid as long as the emitted aerosol particles can cover the whole inner volume of the toilet bowl without creating a significant difference in concentration of disinfecting or sanitising aerosol droplets from one part of the bowl volume to the other. Preferably the spraying device is placed more or less in the middle of the lid.

In order to cover the whole inner volume of the toilet bowl without creating a significant difference in concentration of disinfecting or sanitising aerosol droplets from one part of the bowl volume to the other, the direction wherein the aerosol is emitted by the spray head is related to the position of the dispensing device on the lid. Preferably the spray head is rotatable over 360 C.

30

The aerosol particles remain suspended in the air for an effective amount of time. This allows them to diffuse from the point of entering the inner volume of the bowl (evenly) in all

directions towards the bowl surface including the space under the rim. The aerosol particles may thus eliminate the airborne micro-organisms and/or viruses (evenly) over the whole inner volume of the bowl and may remain effective against airborne  
5 micro-organisms and/or viruses all the time they remain suspended in the air. The delivery of the disinfecting and/or sanitising aerosol in combination with the time the created aerosol remain suspended in the air is preferably controlled in such a way that an effective number of aerosol particles remain  
10 suspended in the air until the end of the flush (i.e. for as long as airborne bacteria and/or viruses may be created).

Without wishing to be bound by theory we believe that on top of the kill of airborne micro-organisms and viruses in the air,  
15 the present invention has an additional benefit. We believe that the cloud of disinfecting and/or sanitising aerosol particles that is entering the volume of the toilet bowl from the top downwards pushes the airborne micro-organisms and viruses back to the flush water and/or to the surface of the  
20 bowl, away from the toilet bowl opening, thus preventing them from escaping the volume of the toilet bowl.

After a certain amount of time the disinfecting and/or sanitising aerosol particles settle on the interior surface of  
25 the toilet bowl (including the surface under the rim) and partly dissolve in the remaining flush water. The deposited and/or dissolved disinfecting and/or sanitising fluid remains active and will disinfect and/or sanitise the interior surface of the toilet bowl and/or the remaining flush water as well.

30

#### **Description of the drawings**

Figure 1 shows a schematic drawing of the main components of a spraying device of the present invention.

Said spraying device includes as main components a cartridge assembly or reservoir (1) for holding a liquid cleaning solution, a housing assembly (2) comprising a mounting plate system for connecting the spraying device to the inner surface  
5 of a toilet lid and an electronic assembly (3) comprising a tilt sensor, a counting switch and a safety switch for controlling the activation and duration of the spray cycle. Other main components of the spraying device schematically shown in Figure 1 are an electric motor (4) for driving a  
10 sequential gear drive assembly (5), said gear drive assembly for sequentially operating a fluid pump (6) and a rotatable nozzle (7), said fluid pump (6) for drawing in, pressurizing and releasing the cleaning solution in a predefined amount, said rotatable nozzle (7) for atomizing the cleaning solution  
15 into a sprayed aerosol, and finally a power supply comprising two AA batteries for providing the required power to operate the device.

Figure 2 shows a flow chart relating to the functioning of the  
20 spraying device of the invention.

Said functioning is as follows.

The spraying device is attached to the inner surface of the lid of a toilet. When the lid is closed, a specific tilt sensor (10) detects the new, horizontal position of the device and the  
25 device starts to operate after a delay of 10 seconds: the control unit (11) sends a signal to the motor (12) that drives the sequential drive mechanism (13). Said sequential drive mechanism comprises several gears that sequentially operate the fluid pump (14) and the rotatable nozzle (15).

30 For delivering the cleaning liquid, the sequential drive mechanism first operates the fluid pump to suck the desired amount of cleaning liquid from the cartridge or reservoir (16). After the liquid has filled the pump's chamber, the piston of

the pump pressurizes the liquid so as to push it in the direction of the rotatable nozzle (15). Here the cleaning liquid passes through a very fine orifice which atomizes the solution into a sprayed aerosol. The nozzle in said orifice has  
5 a diameter of 0.2 mm whereas the pressure drop over the orifice is about 4 bar. Furthermore, the mass flow rate through the rotatable nozzle is about 0.8 ml/second.

After the first spray shoot has thus been delivered into the  
10 toilet bowl the sequential drive mechanism rotates the nozzle (15) over an angle of 72 degrees.

As soon as the nozzle completes this rotating movement, the drive mechanism (13) sequentially operates the pump (14) so as to deliver another spray shoot from the new position. These  
15 sequential spraying and moving operations are repeated five times during a full spray cycle. It follows that during a complete spray cycle, the nozzle (13) rotates over an angle of 360 degrees, while delivering a total of five spray shoots.

An electronic assembly (shown in Figure 1) regulates the spray  
20 cycle. Said electronic assembly is able to automatically start the spray cycle and to count the number of spray shoots for automatically terminating the spray cycle after five spray shoots. Each shoot delivers about 0.1 ml of cleaning liquid into the inner volume of the toilet bowl; so, the total  
25 cleaning fluid delivery per spray cycle is about 0.5 ml.

Thanks to the very fine particle size of the sprayed liquid particles of each spray shoot, this tiny amount of 0.5 ml cleaning fluid was found to be sufficient to disinfect the internal volume of the toilet bowl and to cover and disinfect  
30 the complete inner surface of the toilet bowl, even under the rim thereof.

The complete spray cycle lasts for about 5 seconds at the end of which the toilet will be disinfected and ready for use again.

5 Figure 3 contains a preferred reservoir, also called cartridge, containing the cleaning fluid and suitable for use in the spraying device of the invention. This cartridge is composed of several parts including a cartridge body (21) for holding about 45 ml of cleaning liquid. Said cartridge body is closed with a  
10 cap assembly (22) comprising a sump (23), two check valves (24) and a spring (25). The cap is secured to the cartridge body with a permanent one-time snap feature (26).

This assembly is also child-proof so as to prevent unintended access to the solution.

15 The two separate check valves are used for controlling the path of the cleaning fluid into the pump assembly of the device and the air path into the cartridge.

Figure 4 shows the situation in which the cartridge is inserted  
20 into the spraying device. It can be seen that the fluid check valve A is opened (indicated by an arrow) by a small post (27) that presses the valve open and allows cleaning fluid to exit the cartridge assembly.

It is noted that the fluid check valve A remains open all the  
25 time the cartridge stays inserted into the spraying device. The air entry check valve B, on the other hand, can only be opened by negative pressure created inside the cartridge as a result of cleaning fluid being removed by the pump assembly (14). The spring (25) is used to keep in place both the fluid and air  
30 check valves A and B and to apply the necessary closing force on said valves.

The sump creates an internal space in the cap assembly for fluid to be drained into said sump when the toilet lid is in the vertical position.

When the toilet lid is placed into the horizontal position, the  
5 cleaning fluid level in the sump will always remain higher than the fluid level in the cartridge as fluid is removed during use. (as shown in Figure 5).

When the pump starts working (device in horizontal position) the fluid check valve C on the pump side of post (27) opens  
10 automatically, owing to the vacuum pressure created by the movement of the piston inside the pump chamber (down stroke). This allows the cleaning fluid to reach the piston chamber. Here the fluid is pushed by the upstroke of the movement of the piston up to the rotatable nozzle where it is dispensed as a  
15 sprayed aerosol.

It is important to note that the two check valves C and D that regulate the fluid flow inside the pump, operate sequentially and not simultaneously. In particular, when the vacuum force generated by the down stroke of the piston opens the first  
20 check valve C the other one stays closed, allowing the fluid to fill the chamber of the pump. Subsequently, during the upstroke of the piston the reverse force keeps check valve C closed while opening check valve D, so as to allow the fluid to reach the nozzle.

25 As the cleaning liquid is sucked out of the cartridge by the pump, negative pressure is generated inside the cartridge. When this negative pressure reaches a certain level, it opens the air entry check valve B thus allowing ambient air to flow into the interior of the cartridge so as to redress the pressure  
30 balance.

The present invention will now be further illustrated in the following non-limiting examples.

**Example 1**

In this example experiments were carried out so as to find the beneficial effect of the spraying device of the invention when compared with a spraying device having simultaneous pumping and nozzle rotating action.

To this end, the electric power consumed by a prototype spraying device of the invention (having sequential pumping and rotating action) as well as a comparative spraying device (having simultaneous pumping and rotating action) was measured.

The following results were obtained:

Pump configuration	Peak power consumed	Efficiency
Simultaneous pump & rotate	5.5 watt	23%
Sequential pump & rotate	4.5 watt	28%

It follows from the above results that the sequential system according to the invention is more efficient and requires 1 watt less power than the simultaneous system of the prior art. This significant benefit is unexpected as the rotating nozzle requires only very little power to rotate.

**Example 2**

In this example, experiments have been carried out with a spraying device of the invention (producing an aerosol having an average Dv50 particle size of 50 microns) as well as a modified spraying device. The aerosol produced by the modified spraying device has a (much higher) average Dv50 particle size of 100 microns. It is further noted that this modified spraying device only differs from the spraying device of the invention

with regard to the average particle size of the aerosol produced.

A test was designed to check if the sprayed aerosol delivered by each of these spraying devices is able to reach and disinfect the under the rim area of the internal surface of a toilet bowl. It was chosen to test the coverage under the rim as this part of the toilet surface is generally difficult to be reached by the sprayed aerosol. For this test, test slides containing a 4 log escheria coli bacteria culture were positioned in the cavity under said rim.

Furthermore the following test conditions were applied:

cleaning fluid used	0.7 wt% Na hypochlorite in water;
spray cycle used	5 spray shoots of 0.1 ml cleaning fluid
contact time before testing bacterial growth	5 minutes
Toilet type	Kolo

The following results were obtained:

Bacterial growth (log) (in the under the rim area)

	Start of test	After spray cycle and 5 min. contact time
Using device of invention (Dv50 of aerosol: 50 microns)	4.16	1.74
Using modified device (Dv50 of aerosol: 100 microns)	4.00	3.2

When considering these results it can be derived that the result, in terms of log reduction of the bacteria culture on the test slides, is 2.42 when using the device of the invention. On the other hand, said result is 0.8 when using the  
5 modified device.

It follows that the spraying device of the invention is roughly 3 times more effective than the modified device having regard to the disinfecting performance under the rim of a toilet bowl.

**Claims**

1. An automated spraying device for spraying an enclosure with a liquid cleanser, the device having,
  - a reservoir(16) suitable for containing the liquid cleanser,
  - a pump (14) in fluid communication with the reservoir,
  - a movable spray head (15) having an outlet orifice through which cleanser from the reservoir can be expelled during operation of the pump if there is such liquid cleanser in the reservoir,characterised in that the spraying device also contains an electrical motor drive mechanism (12) for sequentially operating the pump (14) and moving the spray head (15) to modify the direction of the spray there from, such that the spray head is not simultaneously spraying and moving, and in that the spray head is suitable for producing an aerosol whereby the Dv50 of the aerosol is in the range of from 30 to 70 micron.
2. The spraying device according to claim1, wherein the device contains a gearing system(5) having a configuration such that flow of liquid cleanser to the spray head is interrupted when the spray head is moved by action of the motor drive mechanism.
3. The spraying device according to claim 1 or claim 2, wherein the motor drive mechanism can rotate the spray head, preferably over an angle of 360 degrees.
4. The spraying device according to anyone of claims 1-3, wherein the enclosure is a toilet bowl.

5. The spraying device according to claim 4, wherein the device contains means for attaching it to the bottom side of the lid of a toilet.
6. The spraying device according to claim 4 or claim 5, wherein the device can only operate for spraying the toilet bowl when the lid is closed.
7. The spraying device according to anyone of claims 4-6, wherein the device contains a sensor (10) for detecting the position of the lid.
8. The spraying device according to anyone of the preceding claims, wherein the device contains a timer for controlling the duration of the operation of the spraying device.
9. The spraying device according to anyone of the preceding claims, wherein the reservoir suitable for containing the liquid cleanser (16) can be refilled or exchanged for another reservoir without having to remove the complete device, the volume of the reservoir preferably being between 5 to 200 ml, more preferably between 15 and 60 ml.
10. The spraying device according to claim 9, wherein the reservoir (16) includes a cap assembly (22) comprising a sump (23) and two check valves (24).
11. The spraying device according to anyone of the preceding claims, wherein the liquid cleanser comprises at least a biocide and wherein during or after spraying the biocide is present in the aerosol in an effective amount.

12. The spraying device according to claim 11, wherein the biocide in the liquid cleanser is selected from the group consisting of methanol, ethanol, propanol, butanol, polyhexamethylene biguanide, benzalkonium chloride and hypochlorite.

13. A method for disinfecting and sanitizing the inner volume and surface of a toilet bowl containing airborne micro-organisms and/or viruses generated during and/or after flushing, said method comprising the steps of:

- \* attaching a spraying device as claimed in anyone of claims 1 to 12 to the bottom side of a toilet lid,
- \* closing the lid;
- \* flushing the toilet; and
- \* actuating the device.

14. Use of a device as claimed in anyone of claims 1 to 12, for disinfecting and/or sanitizing the inner surface of a toilet bowl after flushing said toilet.

Fig. 1

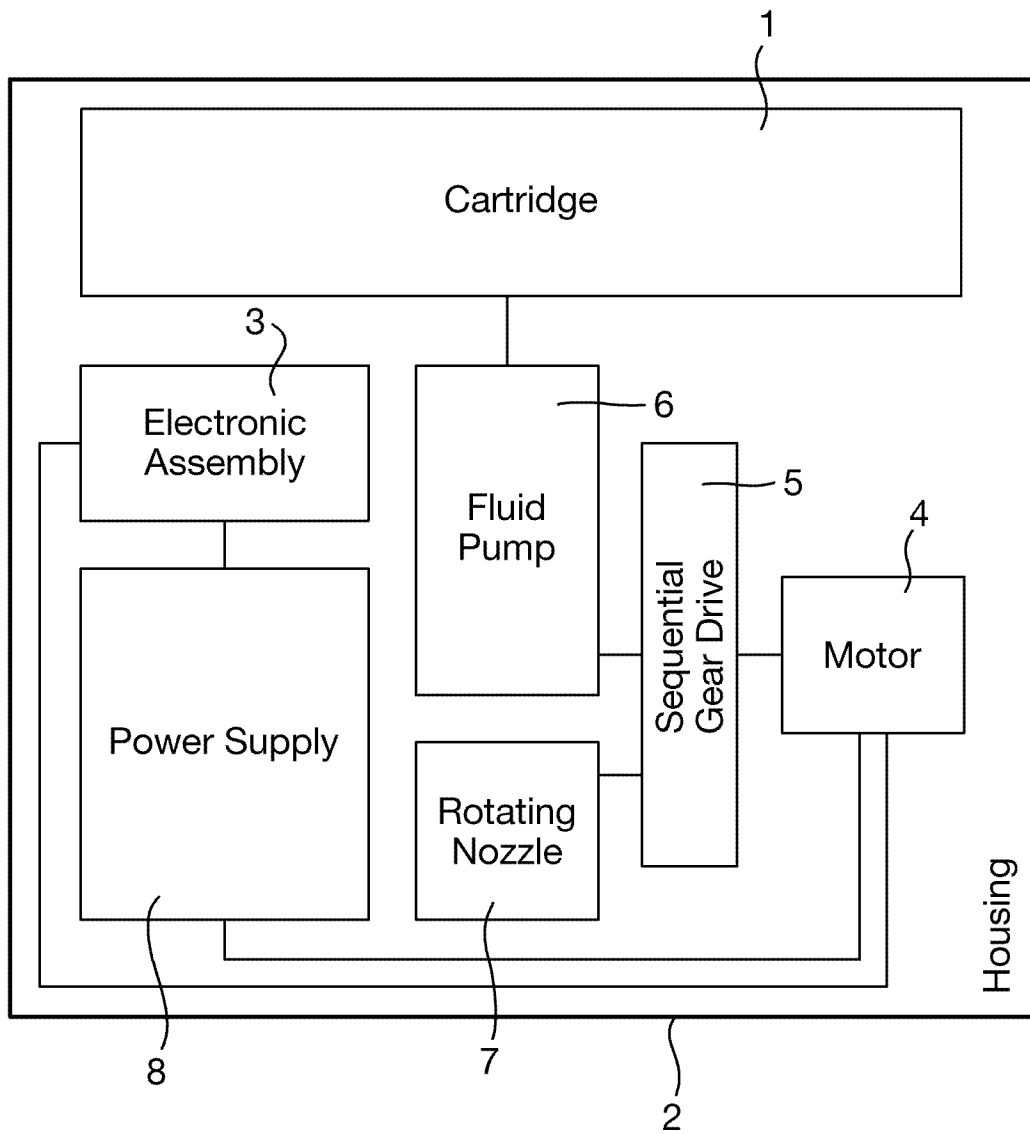


Fig. 2

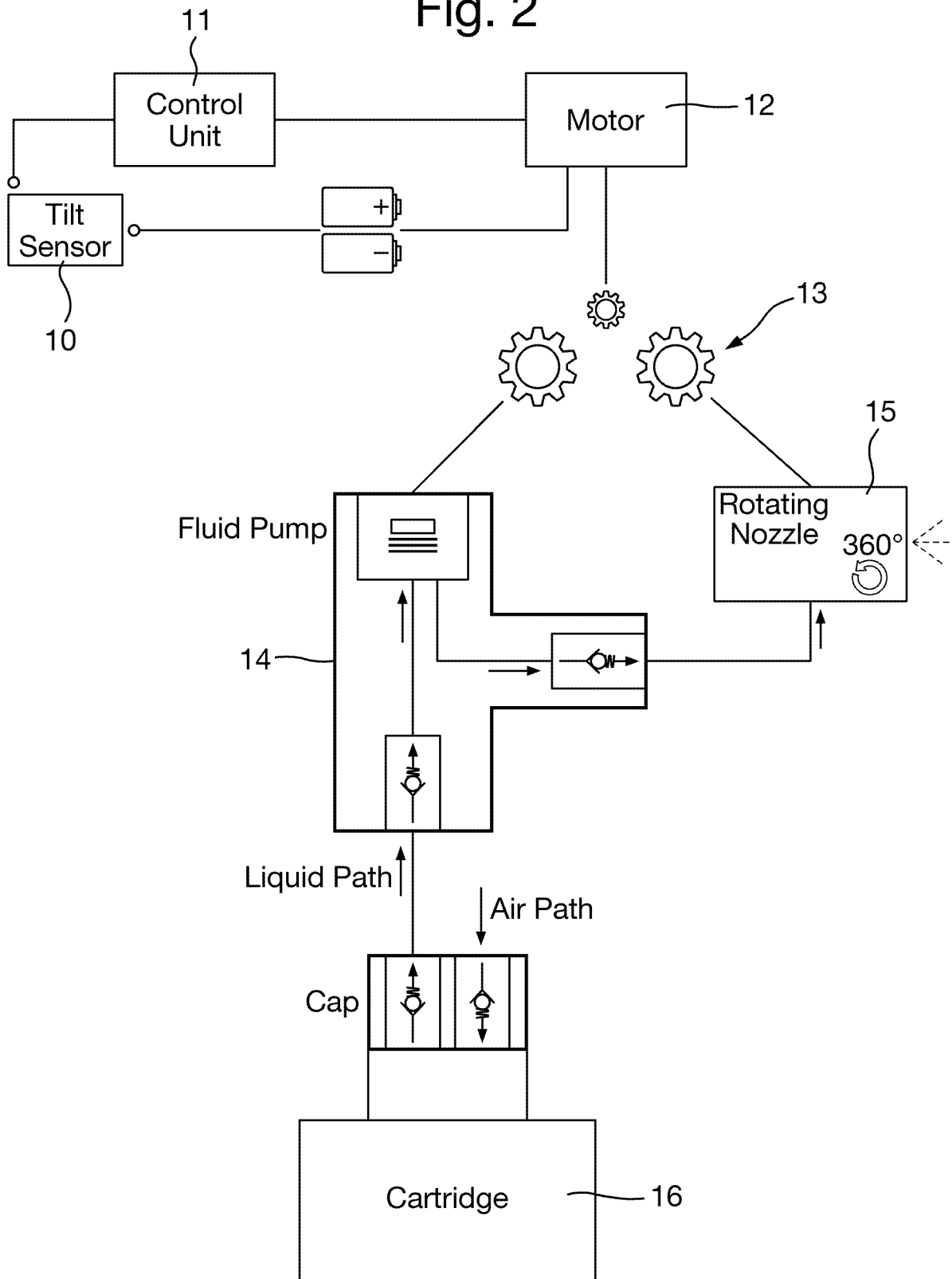


Fig. 3

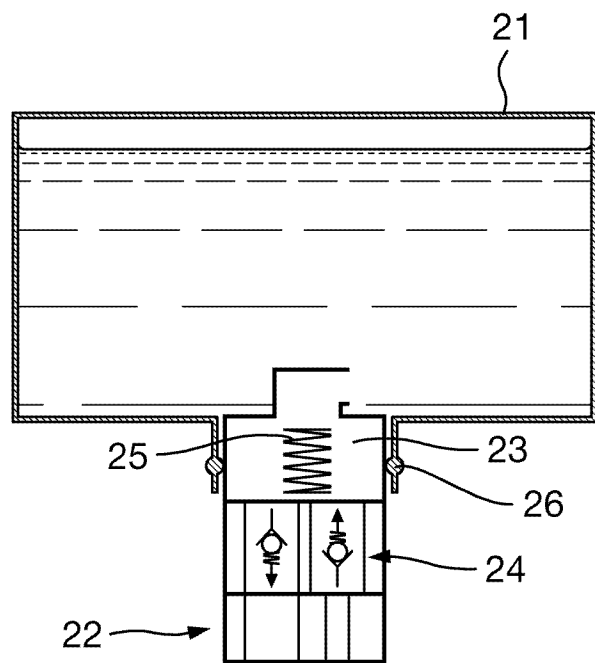


Fig. 4

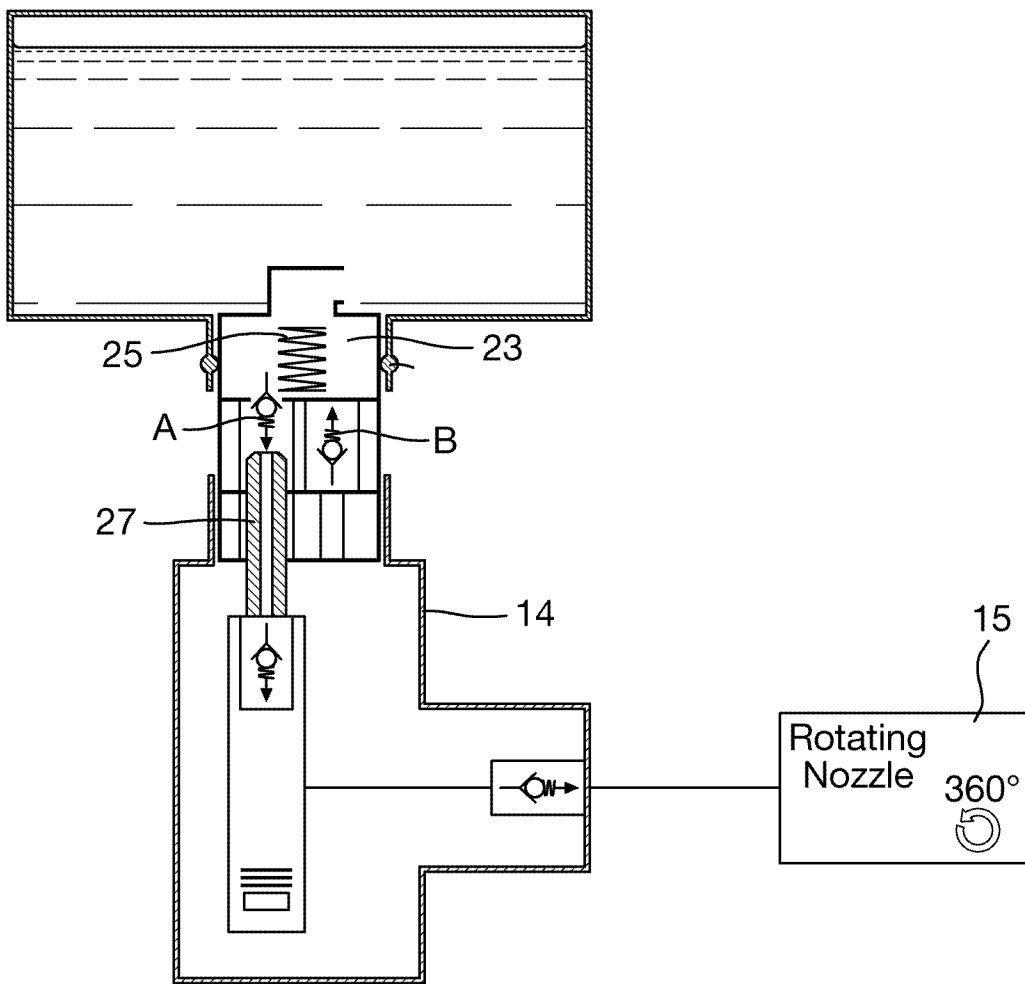
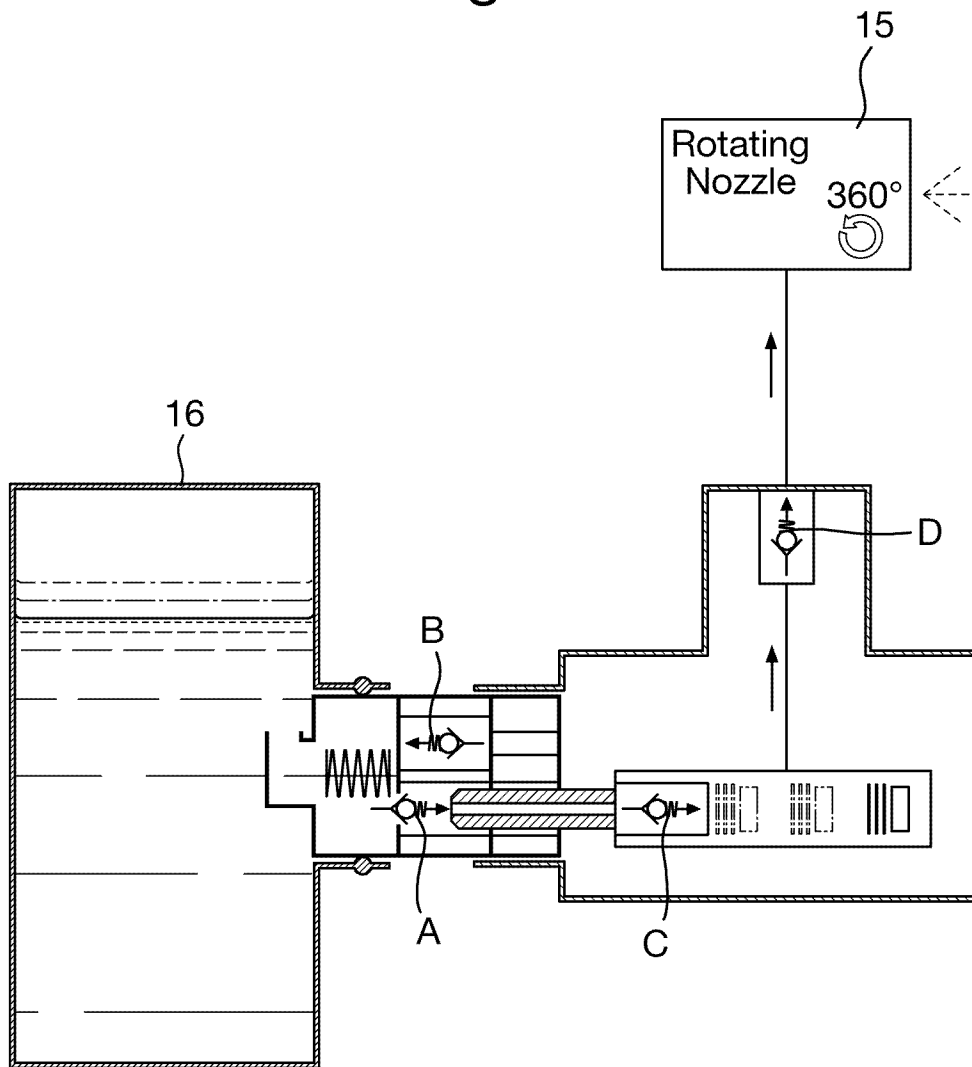


Fig. 5



**INTERNATIONAL SEARCH REPORT**

International application No  
PCT/EP2012/057043

**A. CLASSIFICATION OF SUBJECT MATTER**  
 INV. E03D9/00 A61L9/14 A47K13/30 B05B3/02 B05B9/08  
 ADD.

According to International Patent Classification (IPC) or to both national classification and IPC

**B. FIELDS SEARCHED**

Minimum documentation searched (classification system followed by classification symbols)  
 E03D A61L A47K B05B

Documentation searched other than minimum documentation to the extent that such documents are included in the fields searched

Electronic data base consulted during the international search (name of data base and, where practicable, search terms used)  
 EPO-Internal

**C. DOCUMENTS CONSIDERED TO BE RELEVANT**

Category*	Citation of document, with indication, where appropriate, of the relevant passages	Relevant to claim No.
Y	US 2010/031982 A1 (HORNSBY JAMES RUSSELL [US] ET AL) 11 February 2010 (2010-02-11) paragraphs [0033], [0040], [0043], [0048] - [0050], [0054], [0057], [0058], [0072], [0073]; claims 5,13,20; figures 1,3-5	1-14
Y	US 5 497 944 A (WESTON TERENCE E [GB] ET AL) 12 March 1996 (1996-03-12) column 1, lines 3-6 column 6, line 17 - line 24	1-14
Y	EP 1 467 820 B1 (JOHNSON & SON INC S C [US]) 24 August 2005 (2005-08-24) cited in the application column 10, line 17 - line 26 column 11, line 8 - line 14 figure 7	5,13
	----- -/--	

Further documents are listed in the continuation of Box C.       See patent family annex.

\* Special categories of cited documents :

<p>"A" document defining the general state of the art which is not considered to be of particular relevance</p> <p>"E" earlier application or patent but published on or after the international filing date</p> <p>"L" document which may throw doubts on priority claim(s) or which is cited to establish the publication date of another citation or other special reason (as specified)</p> <p>"O" document referring to an oral disclosure, use, exhibition or other means</p> <p>"P" document published prior to the international filing date but later than the priority date claimed</p>	<p>"T" later document published after the international filing date or priority date and not in conflict with the application but cited to understand the principle or theory underlying the invention</p> <p>"X" document of particular relevance; the claimed invention cannot be considered novel or cannot be considered to involve an inventive step when the document is taken alone</p> <p>"Y" document of particular relevance; the claimed invention cannot be considered to involve an inventive step when the document is combined with one or more other such documents, such combination being obvious to a person skilled in the art</p> <p>"&amp;" document member of the same patent family</p>
---	---

Date of the actual completion of the international search  18 July 2012	Date of mailing of the international search report  30/07/2012
Name and mailing address of the ISA/ European Patent Office, P.B. 5818 Patentlaan 2 NL - 2280 HV Rijswijk Tel. (+31-70) 340-2040, Fax: (+31-70) 340-3016	Authorized officer  Isailovski, Marko

## INTERNATIONAL SEARCH REPORT

International application No  
PCT/EP2012/057043

C(Continuation). DOCUMENTS CONSIDERED TO BE RELEVANT		
Category*	Citation of document, with indication, where appropriate, of the relevant passages	Relevant to claim No.
Y	GB 2 456 491 A (WARRILLOW BARRY [GB]; NALLY PATRICK [GB]) 22 July 2009 (2009-07-22) abstract; figures 1,5 -----	6
Y	US 5 926 099 A (UNUM ANA LAINA PEDERSEN [US]) 20 July 1999 (1999-07-20) abstract; figure 1C -----	7
Y	US 2005/043203 A1 (BARNABAS MARY VIJAYARANI [US] ET AL) 24 February 2005 (2005-02-24) paragraph [0015] -----	11,12
A	WO 2010/047800 A2 (GRACO MINNESOTA INC [US]; THOMPSON DAVID J [US]; HORNING JERRY D [US];) 29 April 2010 (2010-04-29) abstract page 4, lines 21-25 -----	1,13,14

## INTERNATIONAL SEARCH REPORT

Information on patent family members

International application No

PCT/EP2012/057043

Patent document cited in search report		Publication date	Patent family member(s)	Publication date
US 2010031982	A1	11-02-2010	CN 102177299 A	07-09-2011
			EP 2318600 A1	11-05-2011
			JP 2011530662 A	22-12-2011
			US 2010031982 A1	11-02-2010
			WO 2010016909 A1	11-02-2010
-----				
US 5497944	A	12-03-1996	AT 160947 T	15-12-1997
			AT 189413 T	15-02-2000
			AU 650870 B2	07-07-1994
			BR 9106249 A	09-11-1993
			CA 2078683 A1	22-09-1991
			CA 2206753 A1	22-09-1991
			CN 1061362 A	27-05-1992
			CN 1199009 A	18-11-1998
			CZ 283820 B6	17-06-1998
			DE 69128419 D1	22-01-1998
			DE 69128419 T2	16-04-1998
			DE 69131966 D1	09-03-2000
			DE 69131966 T2	20-07-2000
			DK 0521061 T3	30-03-1998
			DK 0627230 T3	26-06-2000
			EP 0521061 A1	07-01-1993
			EP 0627230 A2	07-12-1994
			ES 2109943 T3	01-02-1998
			ES 2141786 T3	01-04-2000
			FI 924216 A	21-09-1992
			GB 2256805 A	23-12-1992
			GR 3026065 T3	29-05-1998
			GR 3033317 T3	29-09-2000
			HK 1005059 A1	18-12-1998
			HR P921357 A2	31-10-1995
			HU 216121 B	28-04-1999
			IE 910929 A1	25-09-1991
			IL 97619 A	26-05-1995
			IN 177383 A1	11-01-1997
			JP 2630347 B2	16-07-1997
			JP H05509241 A	22-12-1993
			NO 923647 A	09-11-1992
NZ 237502 A	25-02-1994			
PH 30833 A	03-11-1997			
PL 165926 B1	31-03-1995			
PT 97098 A	30-04-1993			
RU 2104048 C1	10-02-1998			
SG 45171 A1	16-01-1998			
SI 9110500 A	29-02-1996			
SK 280225 B6	08-10-1999			
US 5497944 A	12-03-1996			
US 5662271 A	02-09-1997			
WO 9114468 A1	03-10-1991			
-----				
EP 1467820	B1	24-08-2005	AT 302651 T	15-09-2005
			AT 333325 T	15-08-2006
			AU 2003237478 A1	12-12-2003
			CA 2487816 A1	04-12-2003
			CN 1665599 A	07-09-2005
			CN 101099951 A	09-01-2008
			CN 101099952 A	09-01-2008
			DE 60301386 D1	29-09-2005

# INTERNATIONAL SEARCH REPORT

Information on patent family members

International application No

PCT/EP2012/057043

Patent document cited in search report	Publication date	Patent family member(s)	Publication date
		DE 60301386 T2	09-03-2006
		DE 60306958 T2	16-11-2006
		EP 1467820 A1	20-10-2004
		ES 2243907 T3	01-12-2005
		ES 2264796 T3	16-01-2007
		JP 4841666 B2	21-12-2011
		JP 2005527362 A	15-09-2005
		JP 2010075730 A	08-04-2010
		NZ 536872 A	30-06-2006
		US 2004050959 A1	18-03-2004
		US 2011024466 A1	03-02-2011
		WO 03099452 A1	04-12-2003
-----			
GB 2456491	A	22-07-2009	NONE
-----			
US 5926099	A	20-07-1999	NONE
-----			
US 2005043203	A1	24-02-2005	US 2003099570 A1 29-05-2003
			US 2005043203 A1 24-02-2005
			US 2005043204 A1 24-02-2005
-----			
WO 2010047800	A2	29-04-2010	AU 2009308070 A1 29-04-2010
			CN 102202802 A 28-09-2011
			EP 2349584 A2 03-08-2011
			JP 2012506316 A 15-03-2012
			KR 20110089287 A 05-08-2011
			US 2011198413 A1 18-08-2011
			WO 2010047800 A2 29-04-2010
-----			