



US00D769404S

(12) **United States Design Patent** (10) **Patent No.:** **US D769,404 S**  
**Zagrodnik** (45) **Date of Patent:** **\*\* Oct. 18, 2016**

(54) **FISHING HOOK AND LINE STORAGE HOLDER**

*Primary Examiner* — Catheri Oliver-Garcia  
(74) *Attorney, Agent, or Firm* — Stuart M. Goldstein

(71) Applicant: **Andrew Zagrodnik**, Mt. Laurel, NJ (US)

(72) Inventor: **Andrew Zagrodnik**, Mt. Laurel, NJ (US)

(\*\*) Term: **14 Years**

(21) Appl. No.: **29/526,002**

(22) Filed: **May 5, 2015**

(51) **LOC (10) Cl.** ..... **22-05**

(52) **U.S. Cl.**  
USPC ..... **D22/134**

(58) **Field of Classification Search**  
USPC ..... D22/134; 206/315.11; 43/57.1, 57.2, 43/54.1; D3/260; 224/604, 661, 920  
CPC ..... A01K 97/06; A01K 91/047  
See application file for complete search history.

(56) **References Cited**

**U.S. PATENT DOCUMENTS**

- 5,544,442 A \* 8/1996 Perkins ..... A01K 97/06 43/57.1
- 8,205,376 B1 \* 6/2012 Hughes ..... A01K 91/047 206/315.11
- D690,386 S \* 9/2013 Agueria Martinez ..... D22/134

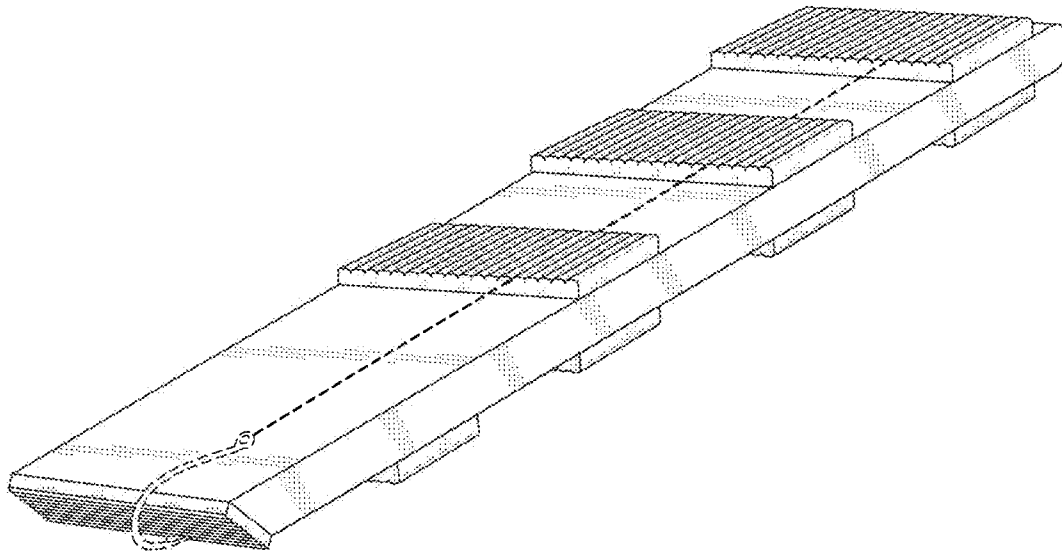
\* cited by examiner

(57) **CLAIM**  
The ornamental design for the fishing hook and line storage holder, as shown and described.

**DESCRIPTION**

FIG. 1 is a perspective view of the fishing hook and line storage holder of the present invention.  
 FIG. 2 is a top view of the fishing hook and line storage holder of the present invention.  
 FIG. 3 is a bottom view of the fishing hook and line storage holder of the present invention.  
 FIG. 4 is an elevation view of the fishing hook and line storage holder of the present invention.  
 FIG. 5 is an opposite elevation view of the fishing hook and line storage holder of the present invention.  
 FIG. 6 is a front view of the fishing hook and line storage holder of the present invention; and,  
 FIG. 7 is a rear view of the fishing hook and line storage holder of the present invention.  
 The broken lines showing a fishing hook and fishing line are included for the purpose of illustrating use and environment and forms no part of the claimed design.

**1 Claim, 4 Drawing Sheets**



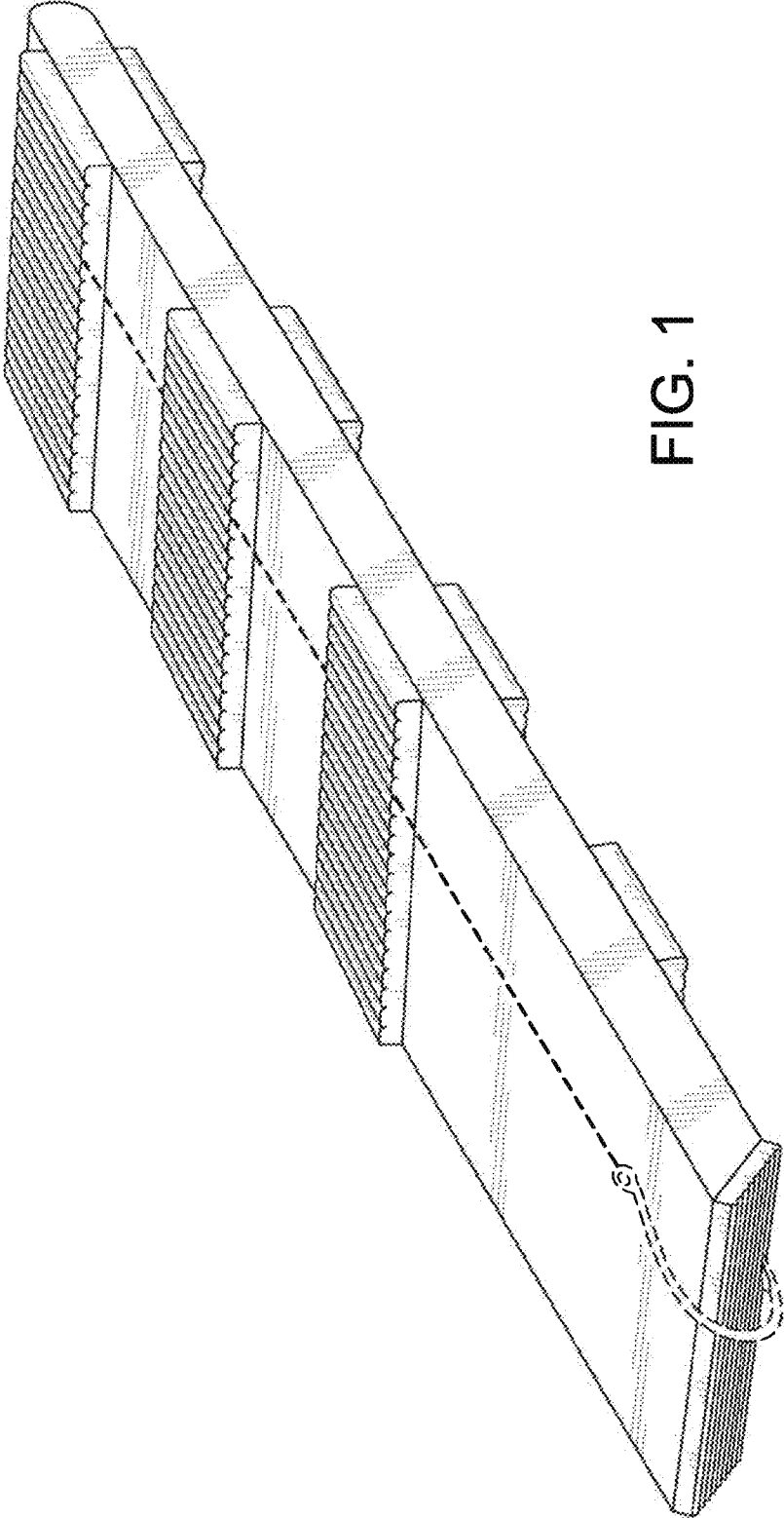


FIG. 1



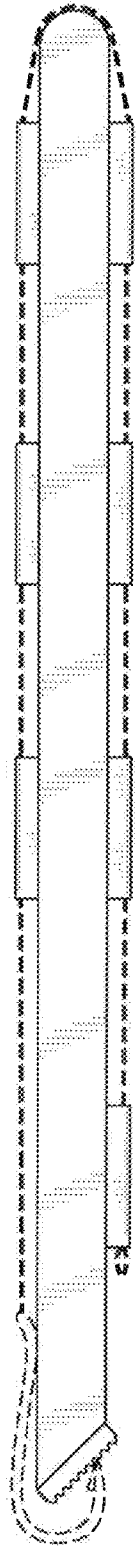


FIG. 4

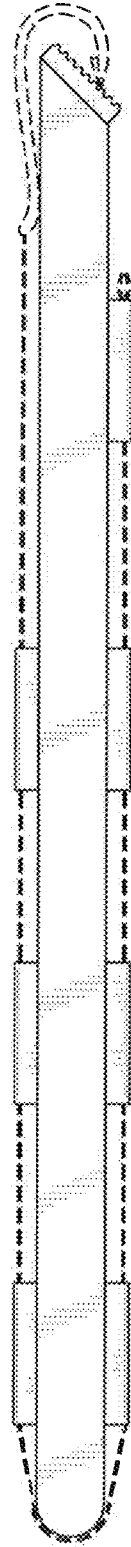


FIG. 5

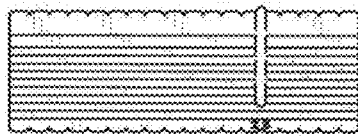


FIG. 6



FIG. 7