



US00D754385S

(12) **United States Design Patent**
Hunt, III et al.

(10) **Patent No.:** **US D754,385 S**

(45) **Date of Patent:** **** Apr. 19, 2016**

- (54) **LED AREA LIGHT FIXTURE**
- (71) Applicant: **Atlas Lighting Products, Inc.**,
Burlington, NC (US)
- (72) Inventors: **R. Samuel Hunt, III**, Burlington, NC
(US); **James H. Bennett**, Greensboro,
NC (US); **Scott T. Ellingson**, Graham,
NC (US); **Cheng S. Chang**, Elon, NC
(US)
- (73) Assignee: **Atlas Lighting Products, Inc.**,
Burlington, NC (US)
- (**) Term: **14 Years**
- (21) Appl. No.: **29/521,442**
- (22) Filed: **Mar. 24, 2015**
- (51) **LOC (10) Cl.** **26-03**
- (52) **U.S. Cl.**
USPC **D26/92**
- (58) **Field of Classification Search**
USPC D26/67-72, 92
CPC F21S 8/033; F21S 8/036; F21S 8/085;
F21S 8/086; F21S 8/088; F21S 9/03; F21S
9/032; F21S 9/035; F21S 9/037; F21W
2131/103; F21W 2131/107
See application file for complete search history.

(56) **References Cited**
U.S. PATENT DOCUMENTS

3,986,019 A	10/1976	deVos et al.	
D531,342 S *	10/2006	Kauffman	D26/68
D556,935 S *	12/2007	Quioque	D26/71
D609,384 S *	2/2010	Gray	D26/71
D614,336 S	4/2010	Zheng et al.	
D615,690 S	5/2010	Zheng et al.	
7,758,211 B2	7/2010	Zheng et al.	
7,794,116 B2	9/2010	Shuai et al.	
7,841,755 B1	11/2010	Walker	
D632,007 S	2/2011	Kim et al.	

D634,875 S	3/2011	Jiang et al.	
D641,908 S *	7/2011	McKee	D26/71
D643,958 S	8/2011	Lin et al.	
8,070,306 B2	12/2011	Ruud et al.	
D652,557 S *	1/2012	Boissevain	D26/71
D652,978 S *	1/2012	Boissevain	D26/71

(Continued)

OTHER PUBLICATIONS

Cooper Lighting, Area/Site Lighting, http://www.cooperindustries.com/content/public/en/lighting/products/area_site_lighting.html, Jan. 29, 2015, 15 pgs.

(Continued)

Primary Examiner — Clare E Heflin

(74) *Attorney, Agent, or Firm* — Womble Carlyle Sandridge & Rice, LLP

(57) **CLAIM**

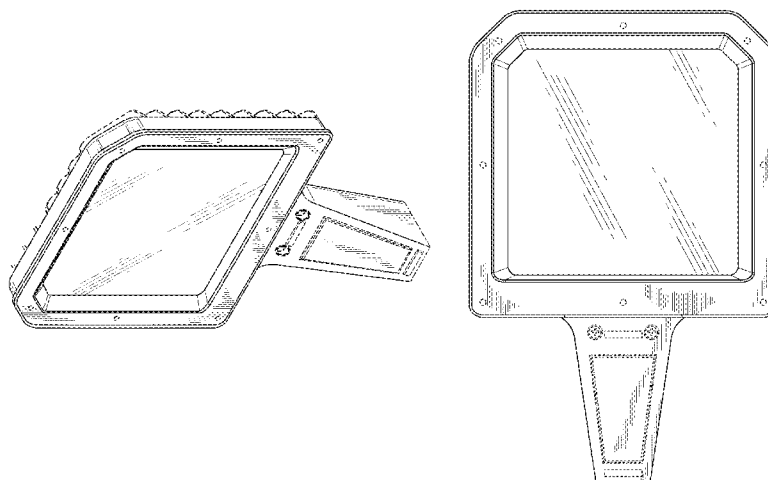
The ornamental design for an LED area light fixture, as shown and described.

DESCRIPTION

FIG. 1 is a bottom front perspective view of our new design; FIG. 2 is a top rear perspective view thereof; FIG. 3 is a bottom view thereof; FIG. 4 is a front view thereof; FIG. 5 is a right side profile view thereof, the left side profile being a mirror image thereof; FIG. 6 is a top view thereof; FIG. 7 is a rear view thereof; and, FIG. 8 is a second bottom front perspective showing additional environmental elements.

The views of the LED area light fixture not shown form no part of the claimed design. The dash-dot lines in FIGS. 1-8 immediately adjacent to the shaded area represent unclaimed boundaries of the design. The dash-dash lines elsewhere in FIGS. 1-8 refer to environmental elements only and form no part of the claimed design.

1 Claim, 8 Drawing Sheets



(56)

References Cited

U.S. PATENT DOCUMENTS

D662,244	S	6/2012	Chen et al.	
D668,370	S	10/2012	Guercio et al.	
8,342,709	B2	1/2013	Lueken et al.	
D676,177	S *	2/2013	Akinrele	D26/71
D695,437	S *	12/2013	Johnson	D26/71
8,708,526	B2	4/2014	Wu	
8,783,917	B2	7/2014	Mrakovich	
D713,583	S	9/2014	Yu	
8,851,711	B2 *	10/2014	Ladewig	F21S 2/00 362/249.02
D717,989	S *	11/2014	Heim	D26/71
D721,844	S *	1/2015	Lay	D26/71
D726,947	S *	4/2015	Boyer	D26/71
D736,983	S *	8/2015	Dal Ponte	D26/71
2011/0187270	A1	8/2011	Summerford et al.	
2014/0153242	A1	6/2014	Ruud et al.	
2014/0218941	A1	8/2014	Wilcox et al.	

OTHER PUBLICATIONS

Cree Lighting Outdoor Products, <http://www.cree.com/Lighting/Products/Outdoor>, Jan. 29, 2015, 3 pgs.

Cree OSQ Series LED Flood Luminaire, <http://www.cree.com/Lighting/Products/Outdoor/Flood/OSQ-Series>, known at least early as Mar. 24, 2015, 1 pg.

GE Evolve LED Scalable Area Light Fixtures, <http://www.gelighting.com/LightingWeb/na/solutions/outdoor-lighting/area-and-site/> . . . , Jan. 29, 2015, 2 pgs.

GE Lighting, Area Lighting, Outdoor Lighting, <http://www.gelighting.com/LightingWeb/na/solutions/outdoor-lighting/area-and-site/>, Jan. 29, 2015, 3 pgs.

GE Lighting, Evolve LED Area Light N Series (EANA) brochure, Feb. 6, 2015, 8 pgs.

Lithonia Lighting, Outdoor Area Lighting, <http://www.lithonia.com/pt/outdoor/c/area+lighting/>, known at least as early as Mar. 24, 2015, 3 pgs.

Lithonia Lighting, The Best Value in Lighting, <http://www.lithonia.com/>, known at least as early as Mar. 24, 2015, 4 pgs.

LSI Industries, LED Area Lights—LSI Slice (XLCS, XLCM), http://www.lsi-industries.com/products/led_arealights_slice-xlcs.xlcm.aspx, known at least as early as Mar. 24, 2015, 1 pg.

Philips Gardco PureForm, LED Solution, Pure in Form and Function Defining Performance, Specification Grade Luminaires brochure, 2014, 24 pgs.

Philips Gardco, Classic Gullwing Shape, LED Performance, 18" Gullwing LED Area and Roadway Luminaire brochure, 2013, 12 pgs.

RAB Lighting, ALED2T150, <http://www.rabweb.com/product.php?product=ALED2T150>, Jan. 29, 2015, 2 pgs.

Visionaire Lighting, LED Luminaire Product Overview, <http://visionairelighting.com/productDetails.asp?productID=457>, known at least as early as Mar. 24, 2015, 2 pgs.

VLX LED Luminaire, Visionaire Lighting brochure, known at least as early as Mar. 24, 2015, 16 pgs.

* cited by examiner

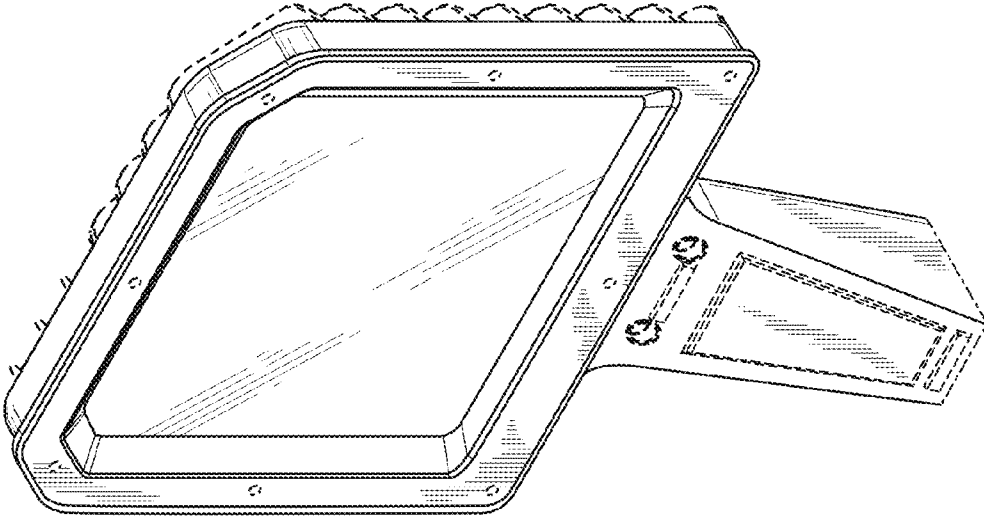


FIG. 1

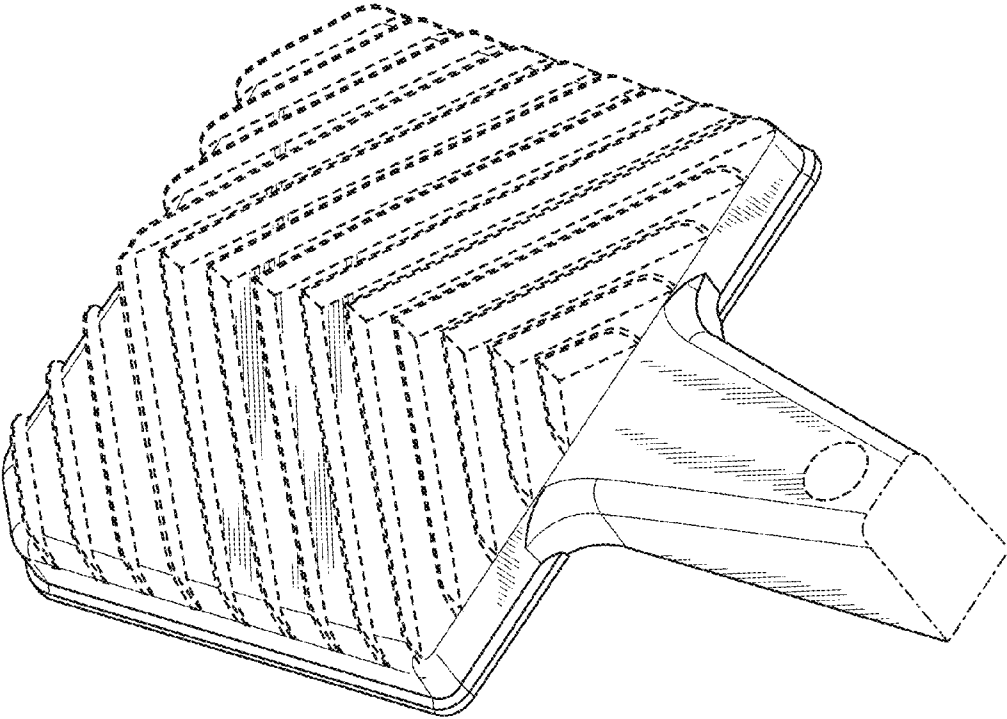


FIG. 2

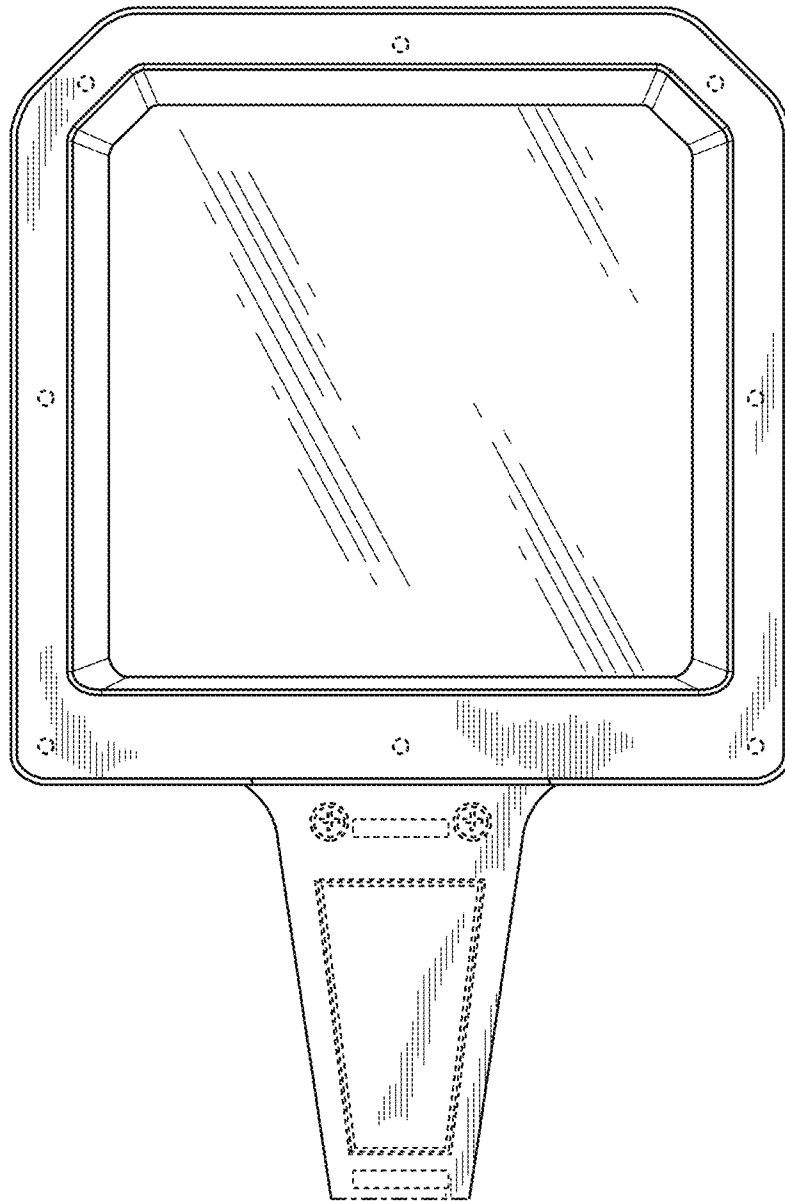


FIG. 3

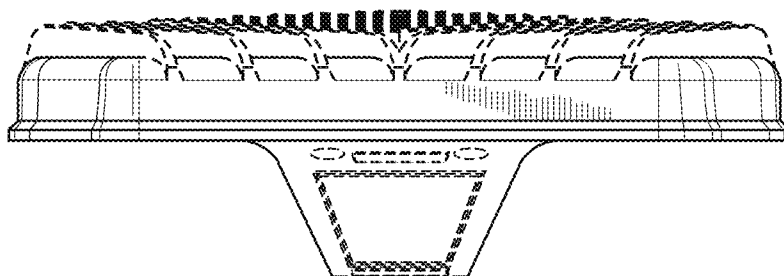


FIG. 4

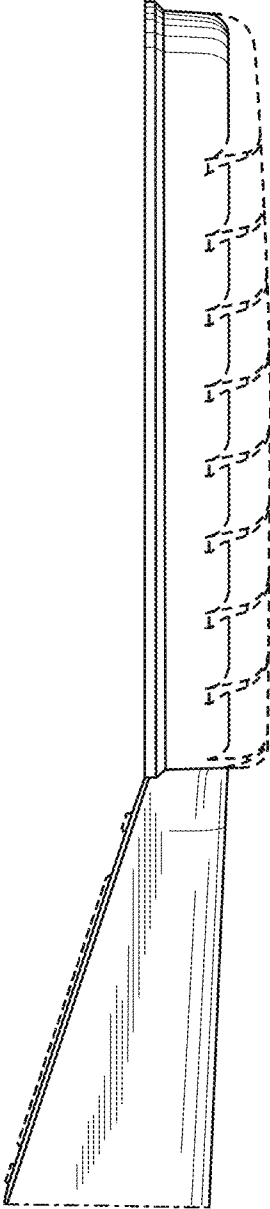


FIG. 5

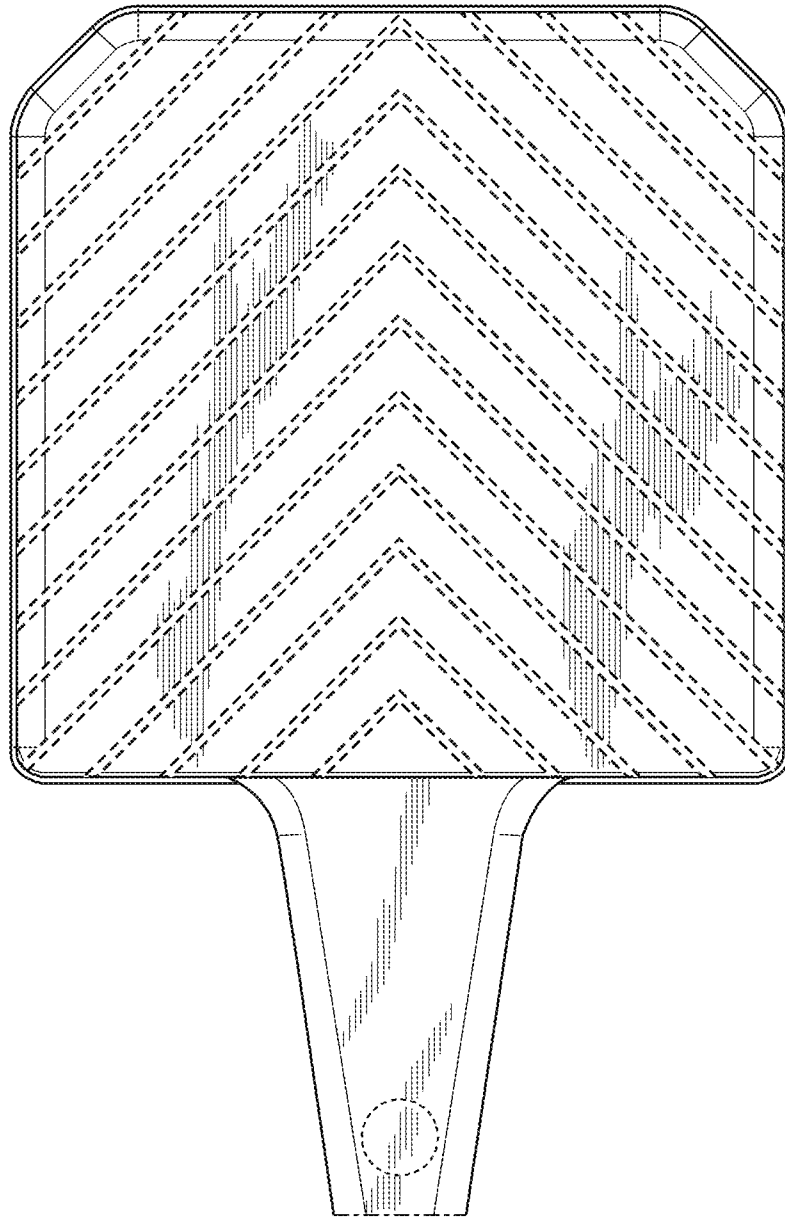


FIG. 6

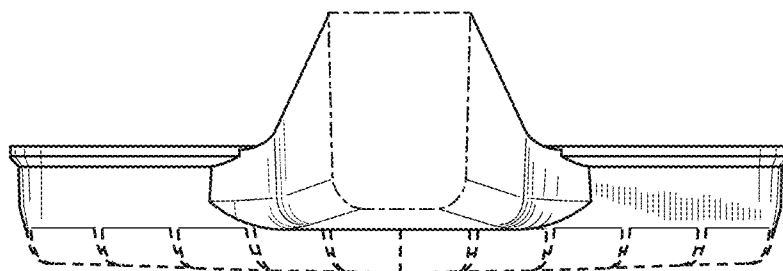


FIG. 7

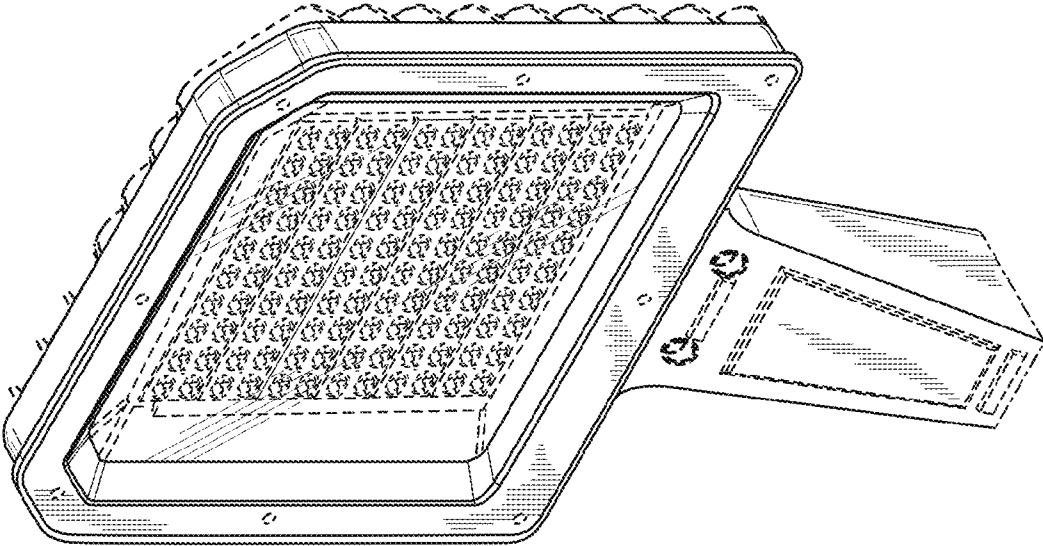


FIG. 8