



US00D784525S

(12) **United States Design Patent**  
**Nguyen**

(10) **Patent No.:** **US D784,525 S**

(45) **Date of Patent:** **\*\* Apr. 18, 2017**

(54) **CAP FOR A MEDICAL INJECTOR HAVING A HEMISPHERICAL PORTION**

(71) Applicant: **Becton Dickinson France S.A.S., Le Pont-de-Claix (FR)**

(72) Inventor: **Emilie Nguyen, Garges-lès-Gonesse (FR)**

(73) Assignee: **Becton Dickinson France S.A.S., Le Pont-de-Claix (FR)**

(\*\*) Term: **15 Years**

(21) Appl. No.: **29/547,834**

(22) Filed: **Dec. 8, 2015**

(51) **LOC (10) Cl.** ..... **24-02**

(52) **U.S. Cl.**  
USPC ..... **D24/127**

(58) **Field of Classification Search**  
USPC ..... D24/127–131, 112–114, 133, 186;  
606/181, 185; 604/506, 264, 523–528,  
604/272, 187, 158, 164.01–164.11, 181,  
604/184, 227; 600/101, 139, 143;  
128/200.24, 207.14, 207.15  
CPC .. A61M 25/065; A61M 5/42; A61M 25/0612;  
A61M 25/00; A61M 39/00; A61M 27/00;  
A61M 25/0043; A61M 25/0067; A61M  
25/0097; A61F 2/958

See application file for complete search history.

(56) **References Cited**

**U.S. PATENT DOCUMENTS**

D239,021 S 3/1976 D'Alo  
4,365,626 A 12/1982 House  
4,832,695 A 5/1989 Rosenberg et al.  
4,929,232 A 5/1990 Sweeney et al.  
D337,157 S 7/1993 Ortiz

D375,788 S 11/1996 Potts et al.  
D380,262 S 6/1997 Van Funderburk et al.  
5,647,849 A 7/1997 Kalin  
D427,308 S 6/2000 Zinger  
D473,646 S 4/2003 Baillargeon et al.  
6,582,397 B2 6/2003 Alesi et al.  
D483,487 S 12/2003 Harding et al.  
D486,225 S \* 2/2004 Gay, III ..... D24/109  
D492,774 S 7/2004 Cindrich et al.  
D497,990 S 11/2004 Jutila  
D505,200 S 5/2005 Simpson et al.  
7,059,327 B2 \* 6/2006 Worthington ..... A61F 2/20  
128/200.26

D607,558 S 1/2010 Abry et al.  
(Continued)

*Primary Examiner* — David Muller

(74) *Attorney, Agent, or Firm* — The Webb Law Firm

(57) **CLAIM**

The ornamental design for a cap for a medical injector having a hemispherical portion, as shown and described.

**DESCRIPTION**

FIG. 1 is a perspective view of a cap for a medical injector having a hemispherical portion in accordance with the present invention;

FIG. 2 is a front elevation view thereof;

FIG. 3 is a rear elevation view thereof;

FIG. 4 is a left side elevation view thereof;

FIG. 5 is a right side elevation view thereof;

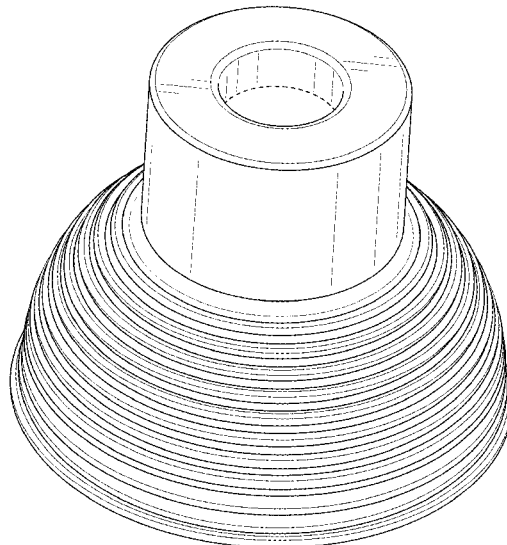
FIG. 6 is a top plan view thereof;

FIG. 7 is a bottom plan view thereof; and,

FIG. 8 is a perspective view of the cap for a medical injector of FIG. 1 shown engaged with an injector.

The broken lines representing portions of the interior of the cap shown in FIGS. 1 and 7 and the injector shown in FIG. 8 represent disclaimed subject matter and form no part of the claimed design.

**1 Claim, 8 Drawing Sheets**



(56)

**References Cited**

## U.S. PATENT DOCUMENTS

D629,510	S	12/2010	Grunhut	
D637,713	S *	5/2011	Nord .....	D24/129
D655,000	S *	2/2012	Mirigian .....	D24/130
8,858,507	B2 *	10/2014	Nielsen .....	A61M 5/3202 604/162
D750,239	S *	2/2016	Pappalardo .....	D24/130
D750,779	S *	3/2016	Ahluwalia .....	D24/133
D751,192	S *	3/2016	She .....	D24/127
D755,966	S *	5/2016	Ahluwalia .....	D24/133
D755,967	S *	5/2016	Ahluwalia .....	D24/133
D757,935	S *	5/2016	Solingen .....	D24/133
D761,422	S *	7/2016	Row .....	D24/129
D768,850	S *	10/2016	Rozwadowski .....	D24/130
2001/0044606	A1	11/2001	Inkpen et al.	
2004/0133172	A1	7/2004	Wilkinson	
2004/0210197	A1	10/2004	Conway	
2008/0228147	A1	9/2008	David-Hegerich et al.	
2009/0312705	A1	12/2009	Grunhut et al.	

\* cited by examiner

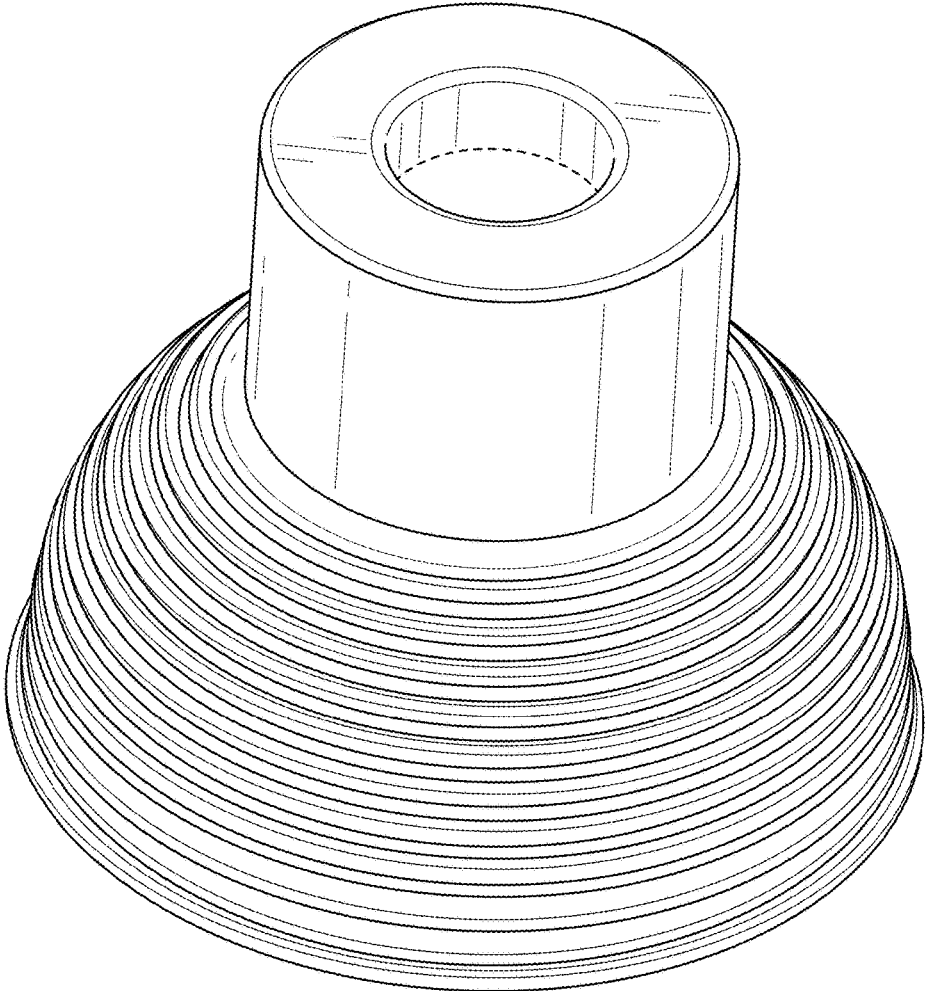


FIG. 1

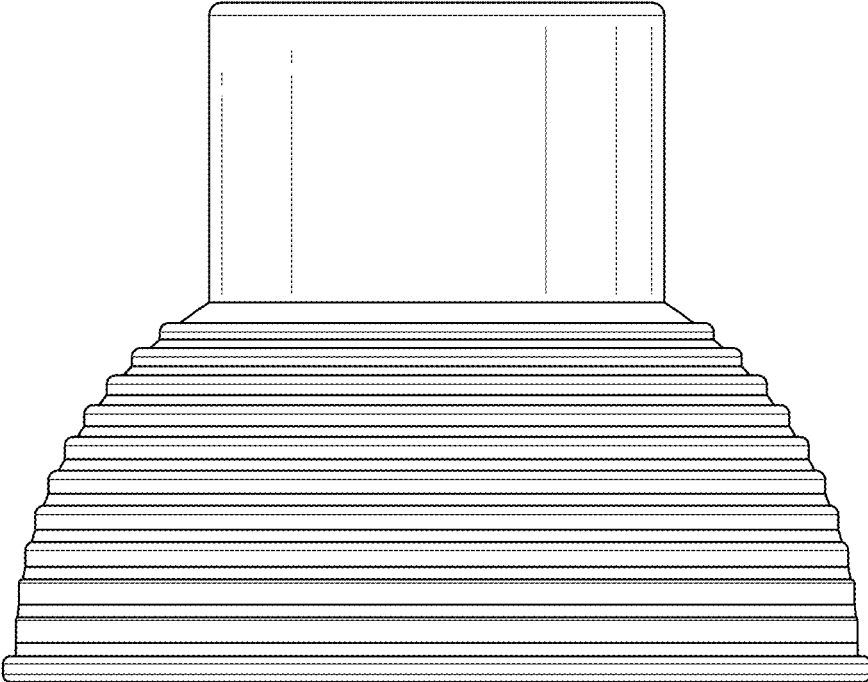


FIG. 2

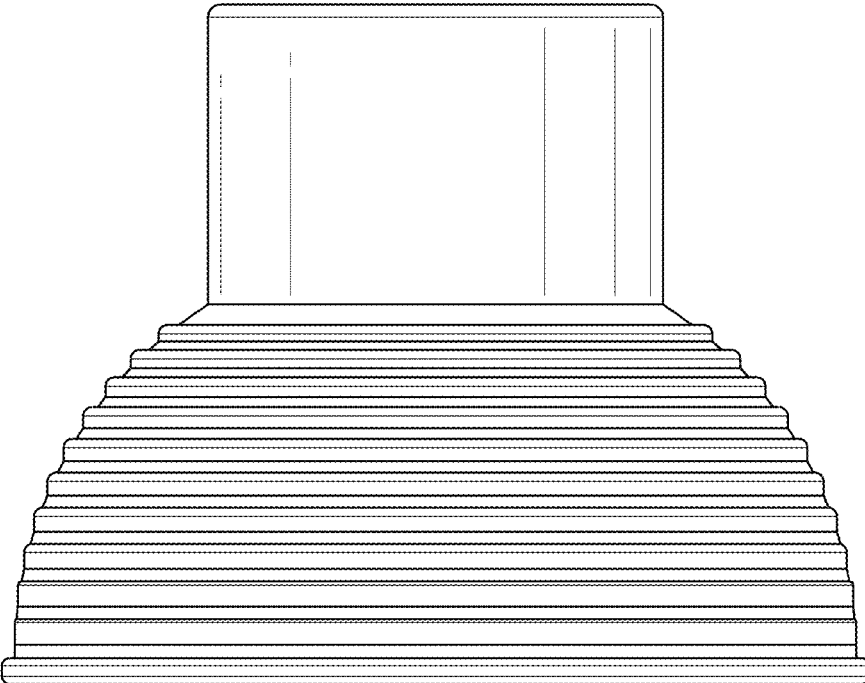


FIG. 3

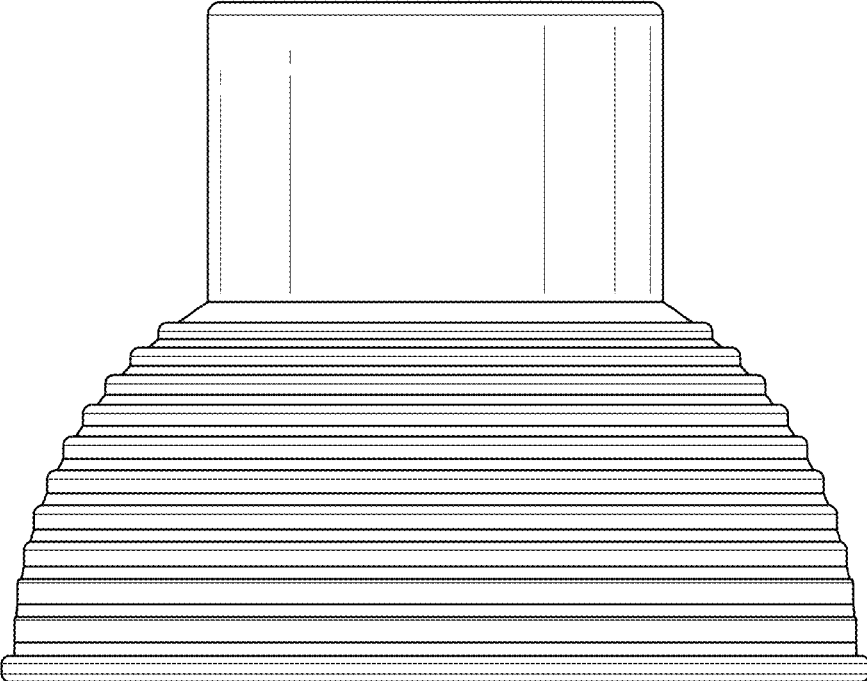


FIG. 4

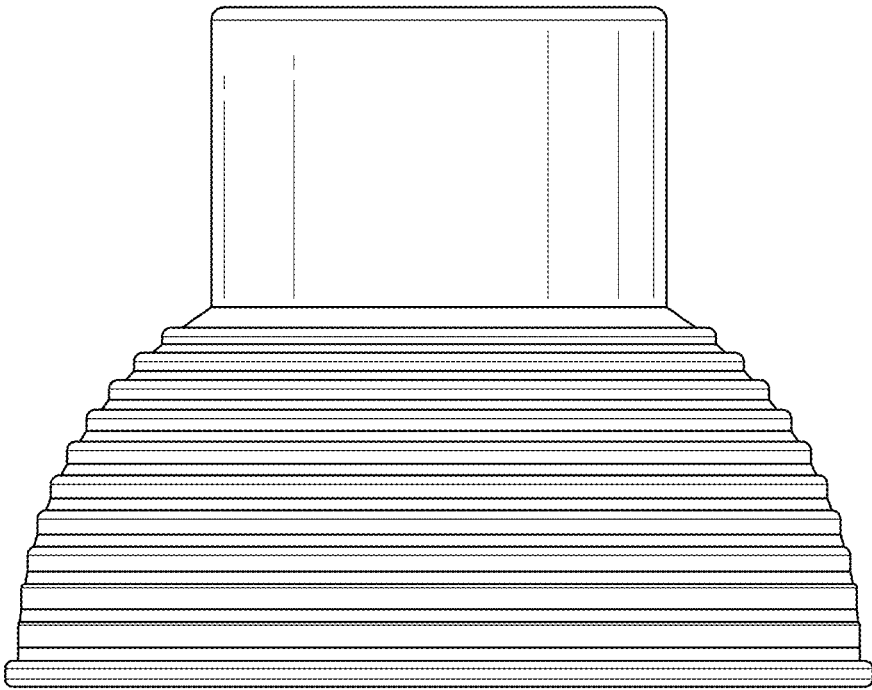


FIG. 5

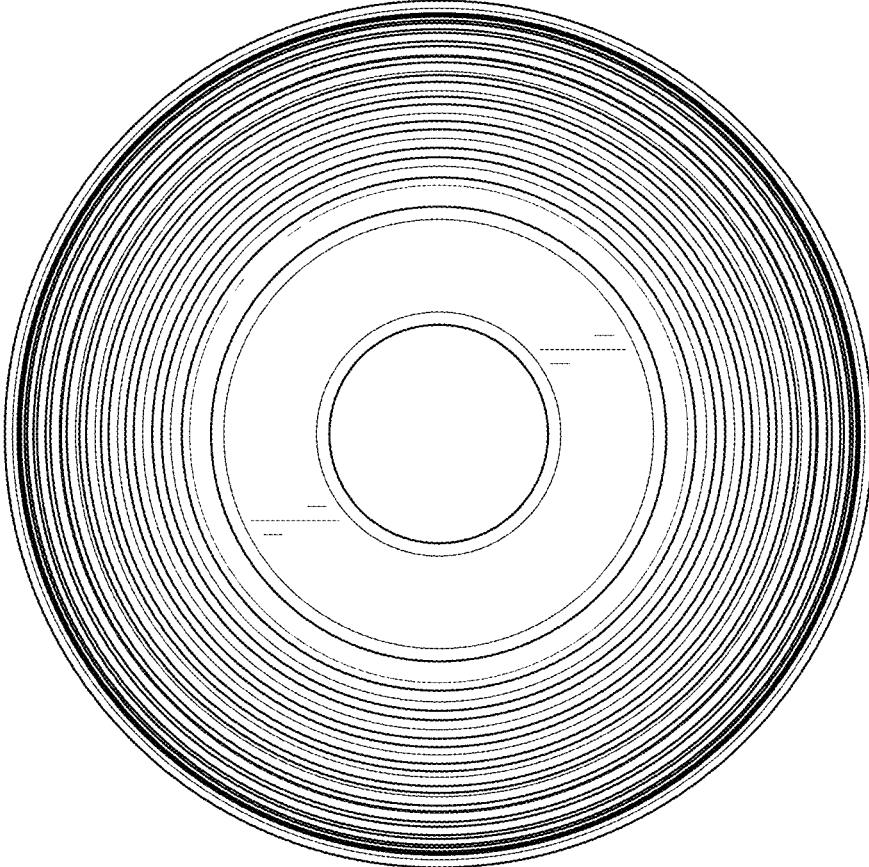


FIG. 6



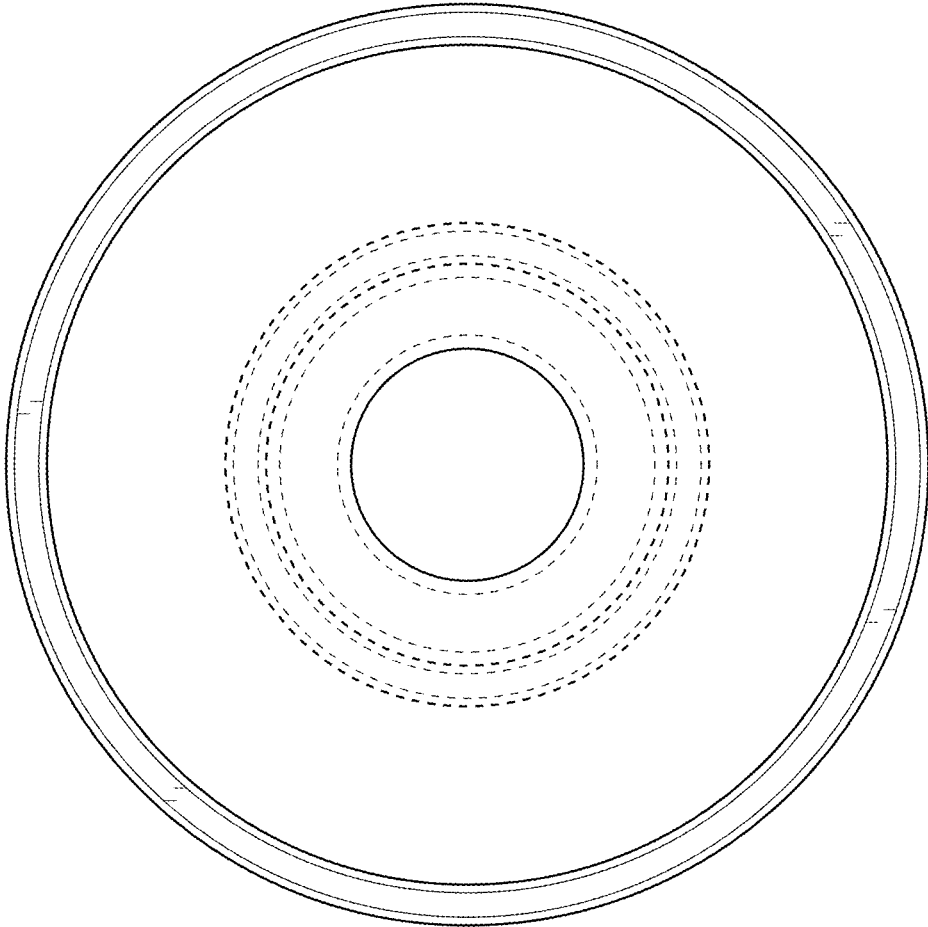


FIG. 7

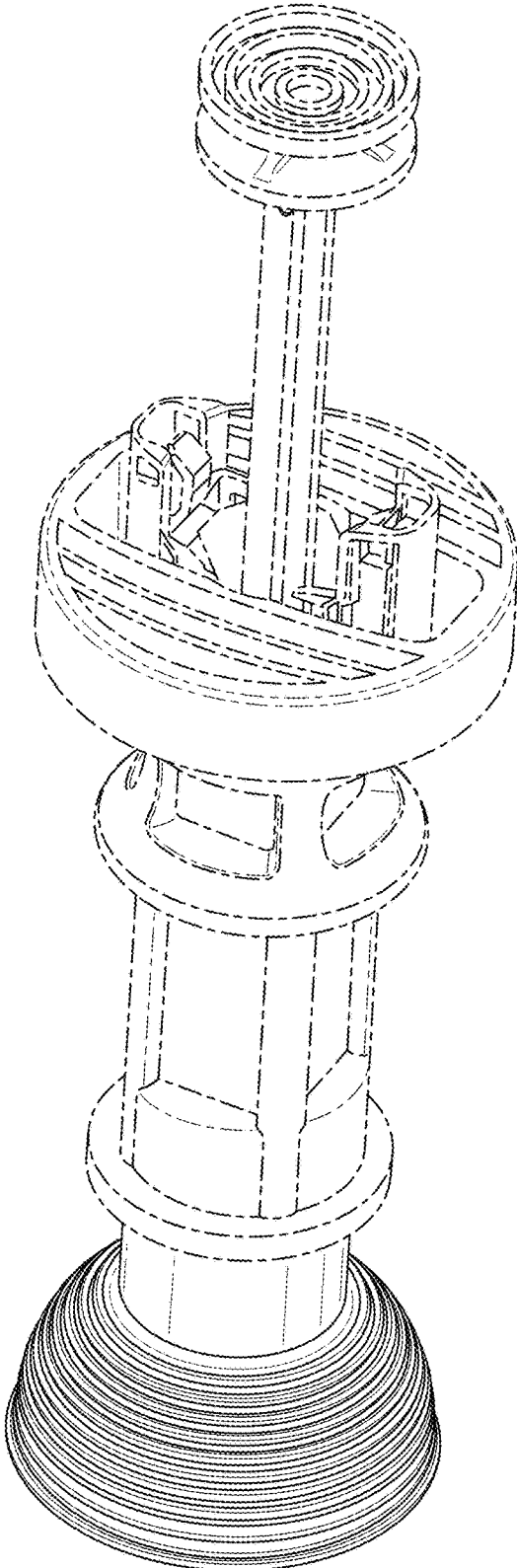


FIG. 8