



US00D899356S

(12) **United States Design Patent**  
**Wan**

(10) **Patent No.:** **US D899,356 S**

(45) **Date of Patent:** **\*\* Oct. 20, 2020**

(54) **CHARGER**

(71) Applicant: **Premier Technologies Ltd.**, Kwai Chung, N.T. (HK)

(72) Inventor: **Kwok Kei Wan**, Hong Kong (HK)

(73) Assignee: **Premier Technologies Ltd.**, Hong Kong (HK)

(\*\*) Term: **15 Years**

(21) Appl. No.: **29/630,903**

(22) Filed: **Dec. 22, 2017**

(30) **Foreign Application Priority Data**

Aug. 2, 2017 (CN) ..... 2017 3 0349315

(51) **LOC (12) Cl.** ..... **13-02**

(52) **U.S. Cl.**  
USPC ..... **D13/107**

(58) **Field of Classification Search**

USPC ..... D13/107-110, 118-119, 184; D14/251, D14/253, 432, 434

CPC ..... Y02E 60/12; Y02T 90/14; Y02T 90/122; Y02T 90/128; Y02T 90/163; H02J 7/025; H02J 7/0042; H02J 7/0044; H02J 7/0045; H02J 7/0003; H01F 38/14; H01M 2/1022; H01M 2/1055; H01M 10/44; H01M 10/46; H01M 10/425; B60L 11/182; H01R 13/6675

See application file for complete search history.

(56) **References Cited**

**U.S. PATENT DOCUMENTS**

D395,897 S \* 7/1998 Honma ..... D13/184  
D427,147 S \* 6/2000 Wei ..... D13/110

D437,313 S \* 2/2001 Chen ..... D13/152  
D464,958 S \* 10/2002 Coker ..... D14/240  
D499,074 S \* 11/2004 Cook ..... D13/179  
D510,320 S \* 10/2005 Tuomola ..... D13/110  
D559,778 S \* 1/2008 Tsuzuki ..... D13/110  
D669,852 S \* 10/2012 Eppinger ..... D13/110  
D687,817 S \* 8/2013 Petersen ..... D14/240  
D739,347 S \* 9/2015 Huang ..... D13/110  
D781,797 S \* 3/2017 Moon ..... D14/125  
D801,921 S \* 11/2017 Vetu ..... D13/107  
D849,566 S \* 5/2019 Klintworth ..... D10/46

\* cited by examiner

*Primary Examiner* — Nathaniel D. Buckner

(57) **CLAIM**

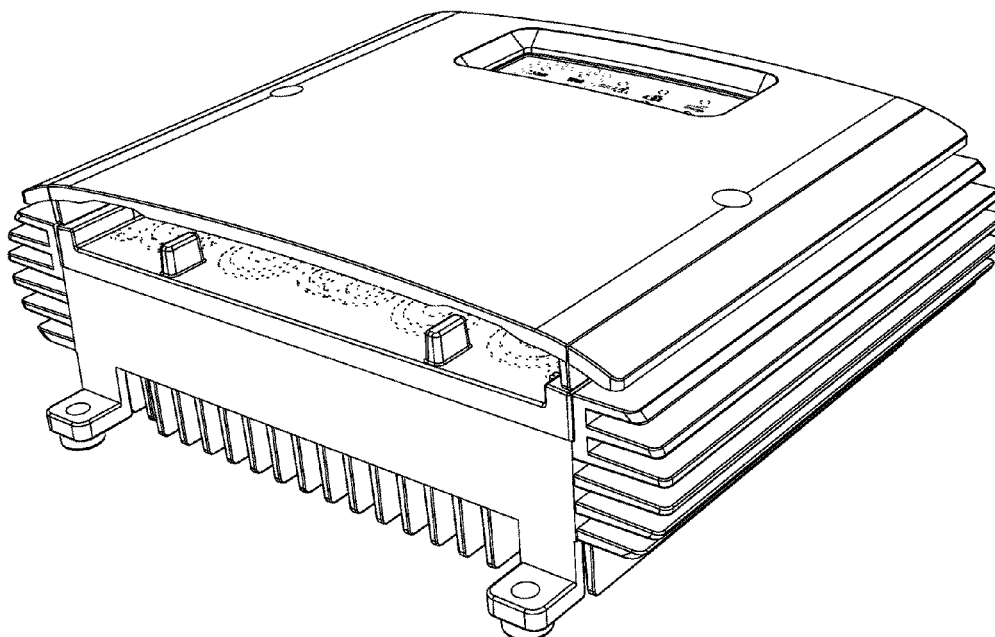
The ornamental design for a charger, as shown and described.

**DESCRIPTION**

FIG. 1 shows a top plan view of a charger;  
FIG. 2 shows a front plan view of the charger of FIG. 1;  
FIG. 3 shows a rear plan view of the charger of FIG. 1;  
FIG. 4 shows a bottom plan view of the charger of FIG. 1;  
FIG. 5 shows a right plan view of the charger of FIG. 1;  
FIG. 6 shows a left plan view of the charger of FIG. 1;  
FIG. 7 shows a front perspective view of the charger of FIG. 1; and,  
FIG. 8 shows a rear perspective view of the charger of FIG. 1.

The broken lines in the figures depict portions of the charger which form no part of the claimed design.

**1 Claim, 8 Drawing Sheets**





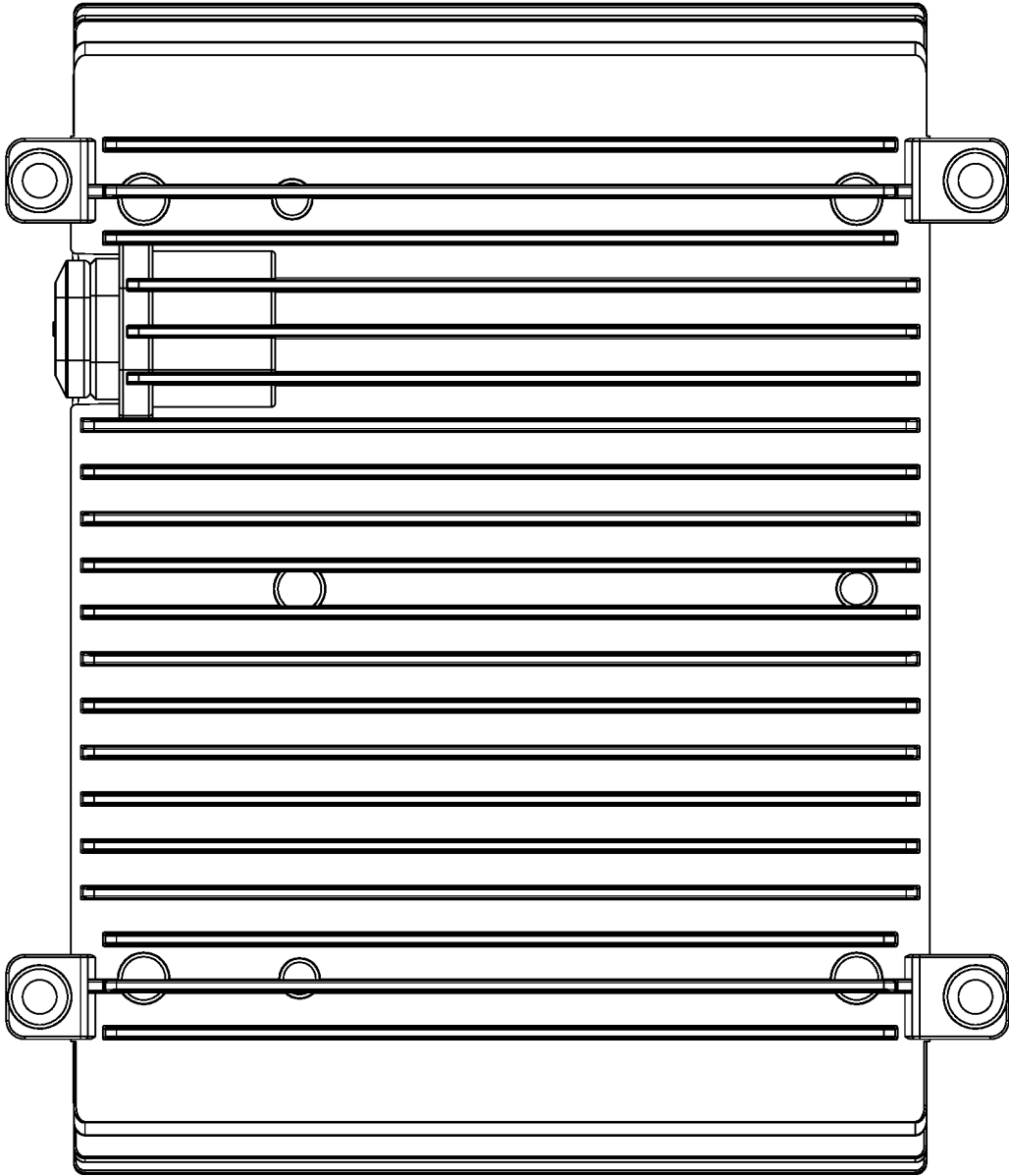


FIG. 2

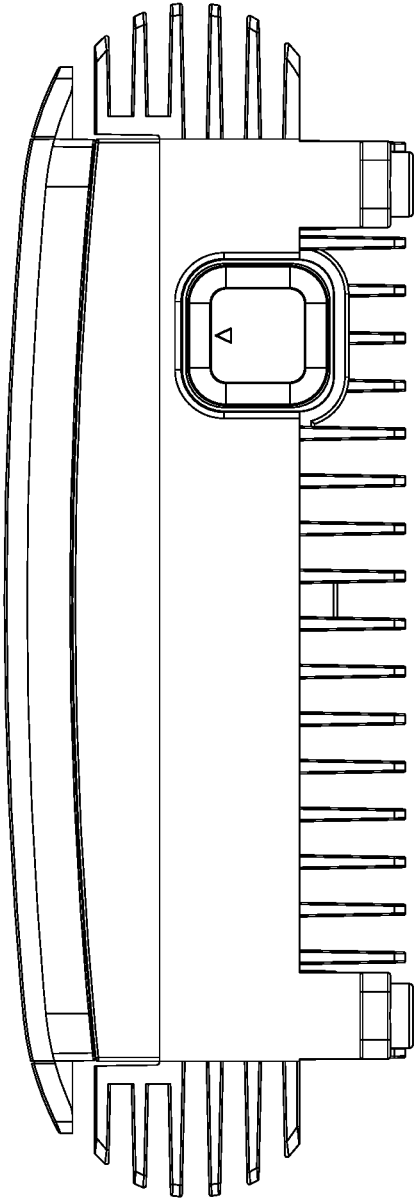


FIG. 3

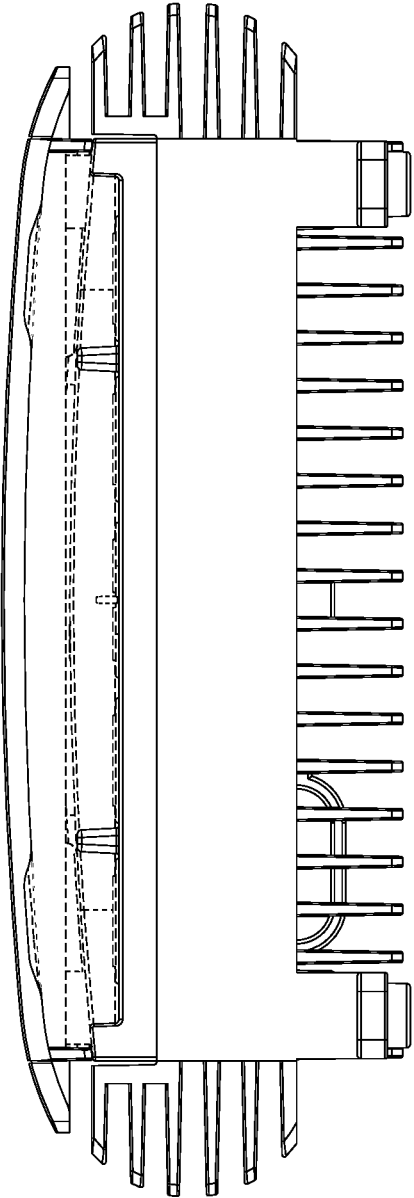


FIG. 4

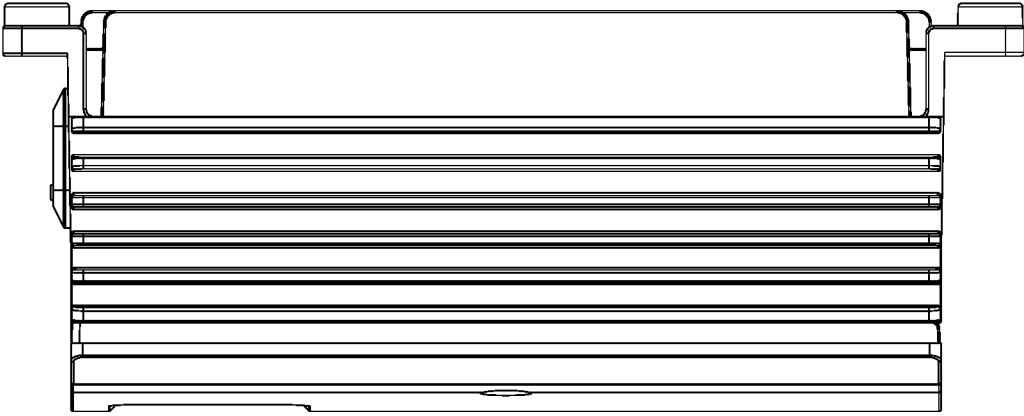


FIG. 5

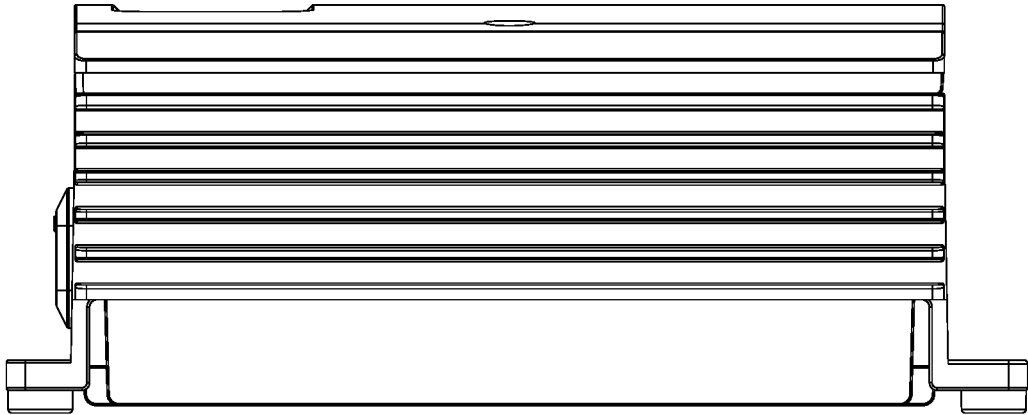


FIG. 6

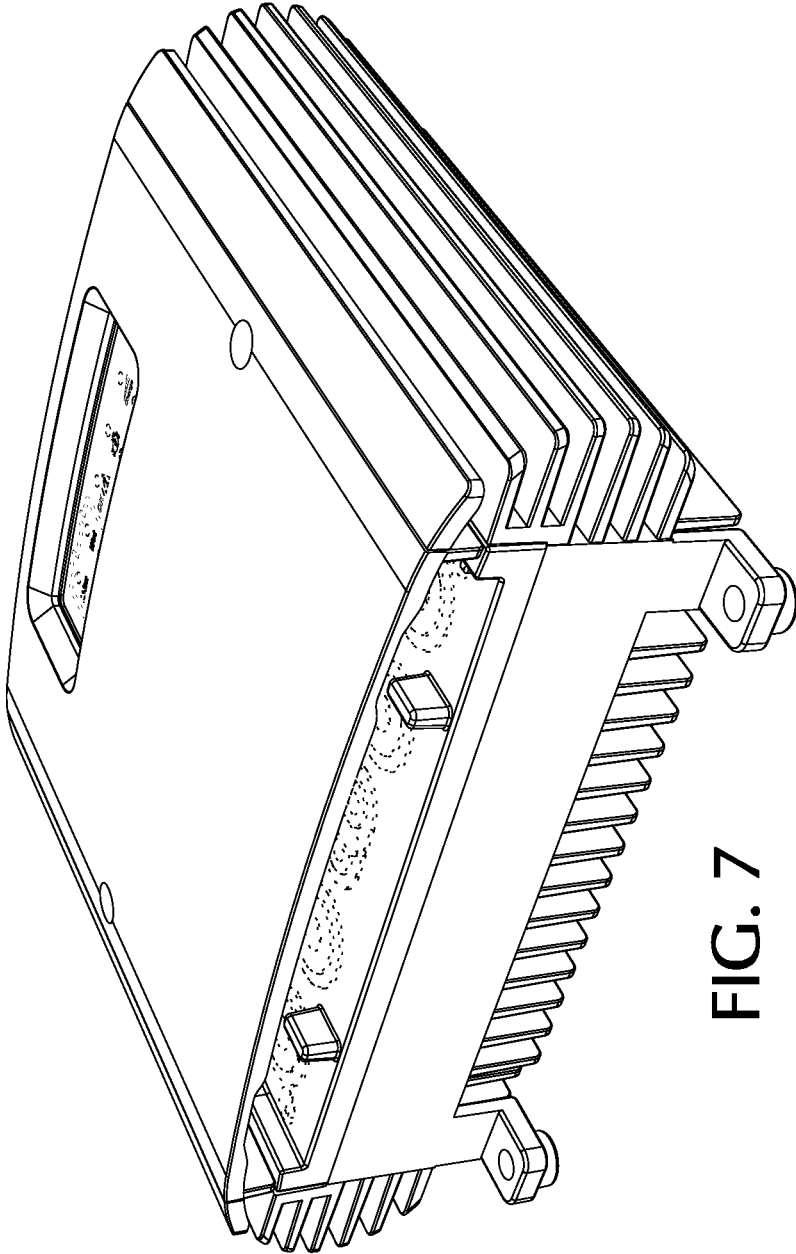


FIG. 7

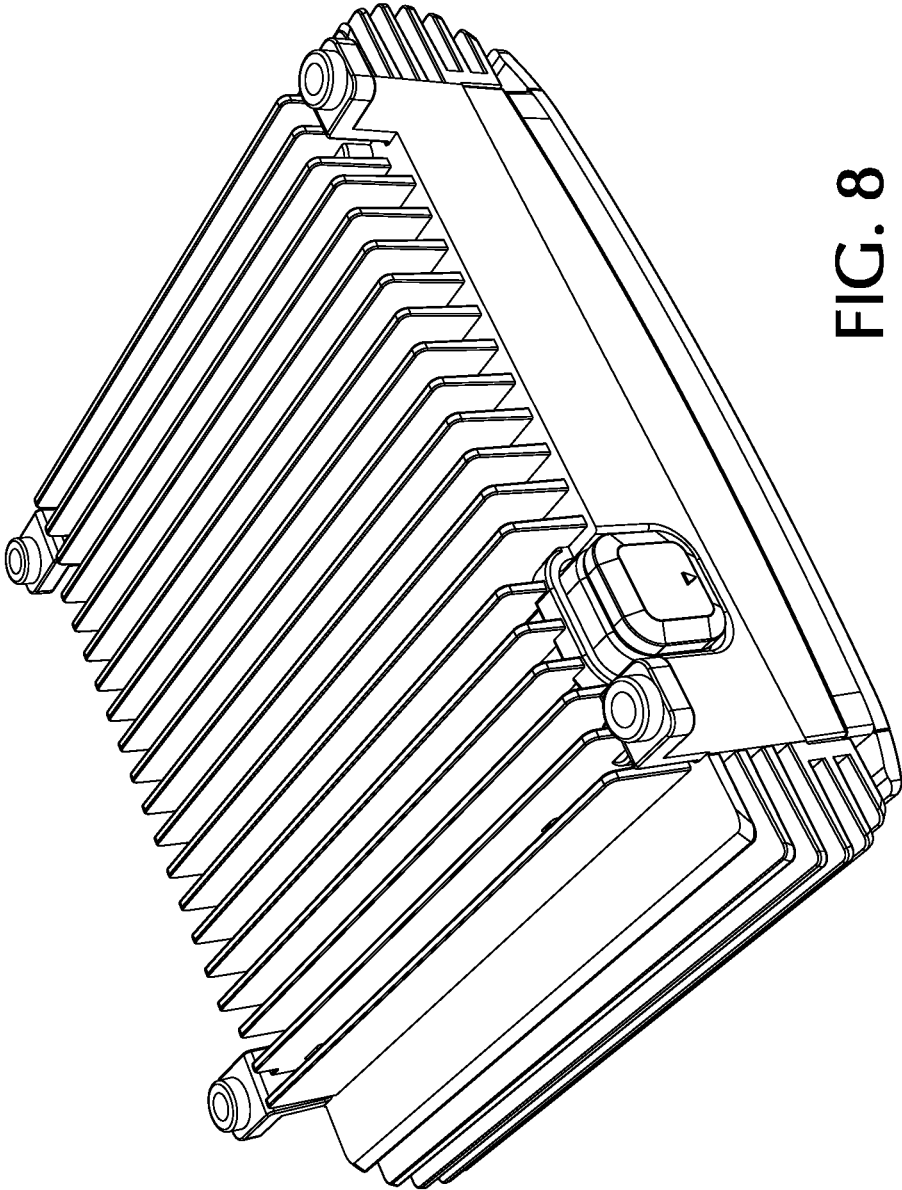


FIG. 8