



US00D726993S

(12) **United States Design Patent**  
**Ermel**

(10) **Patent No.:** **US D726,993 S**

(45) **Date of Patent:** **\*\* Apr. 21, 2015**

(54) **ADJUSTABLE BELT USING RING SNAP  
BUTTONS**

D611,678 S \* 3/2010 Bailey ..... D2/624  
D617,671 S \* 6/2010 Hardy ..... D11/3  
D693,992 S \* 11/2013 Dinunzio ..... D2/853

(71) Applicant: **Aavo Ermel**, Harjumaa (EE)

(72) Inventor: **Aavo Ermel**, Harjumaa (EE)

(\*\*) Term: **14 Years**

(21) Appl. No.: **29/489,160**

(22) Filed: **Apr. 28, 2014**

(51) **LOC (10) Cl.** ..... **02-07**

(52) **U.S. Cl.**

USPC ..... **D2/627**

(58) **Field of Classification Search**

CPC ..... **A41F 9/002**

USPC ..... **D2/624, 627-629, 633, 636, 638, 639,  
D2/728, 853, 999; D3/215, 217, 318;  
D11/3, 38, 200, 212, 228, 230, 231;  
2/44, 236, 300, 305, 310-312, 330,  
2/337, 338, 908, 912, 913; 24/614-616,  
24/625, 633; 59/78, 80-83; 63/3, 3.1, 3.2,  
63/4, 5.1, 5.2**

See application file for complete search history.

(56) **References Cited**

**U.S. PATENT DOCUMENTS**

D26,756 S \* 3/1897 Sanders ..... D2/627  
822,710 A \* 6/1906 Askew ..... 2/338  
1,234,165 A \* 7/1917 Hill ..... 2/322  
2,503,157 A \* 4/1950 Knee ..... 224/587  
2,916,742 A \* 12/1959 Sobel ..... 2/322  
D238,315 S \* 1/1976 Terwilleger ..... D2/636  
D381,787 S \* 8/1997 Littleton ..... D2/627  
5,826,280 A \* 10/1998 Bradley ..... 2/322  
D599,080 S \* 9/2009 Pantoja ..... D2/627

**OTHER PUBLICATIONS**

Couture Designer Resale Boutique. Louis Vuitton Natural Vachetta Snap Button Belt. 2012 [online], [site visited Oct. 29, 2014]. Available from Internet, <URL:http://www.coutureusa.com/p-9917-louis-vuitton-natural-vachetta-snap-button-belt.aspx>.\*

\* cited by examiner

*Primary Examiner* — Robert M Spear

*Assistant Examiner* — Darcey E Heflin

(57) **CLAIM**

The ornamental design for an adjustable belt using ring snap buttons, as shown and described.

**DESCRIPTION**

FIG. 1 is a perspective front view of the ornamental design for an adjustable belt using ring snap buttons showing my new design.

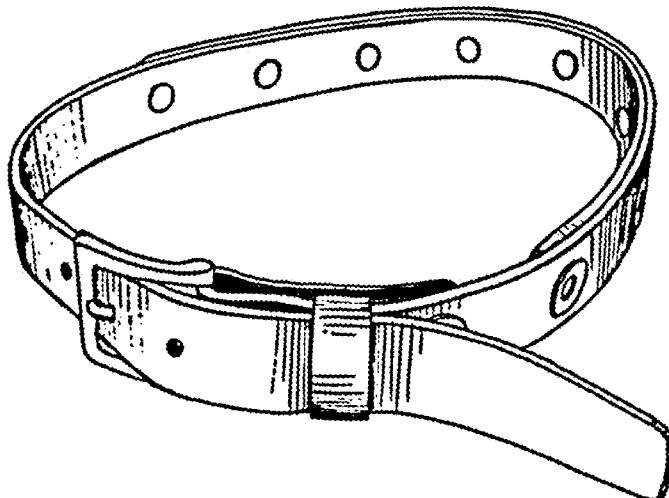
FIG. 2 is a perspective rear view of the ornamental design for an adjustable belt using ring snap buttons showing my new design in another alternate configuration of use.

FIG. 3 is a perspective front view of the ornamental design for an adjustable belt using ring snap buttons showing my new design in another alternate configuration of use.

FIG. 4 is a perspective rear view of the ornamental design for an adjustable belt using ring snap buttons showing my new design in another alternate configuration of use; and,

FIG. 5 is a perspective side view of the ornamental design for an adjustable belt using ring snap buttons showing my new design in another alternate configuration of use.

**1 Claim, 5 Drawing Sheets**



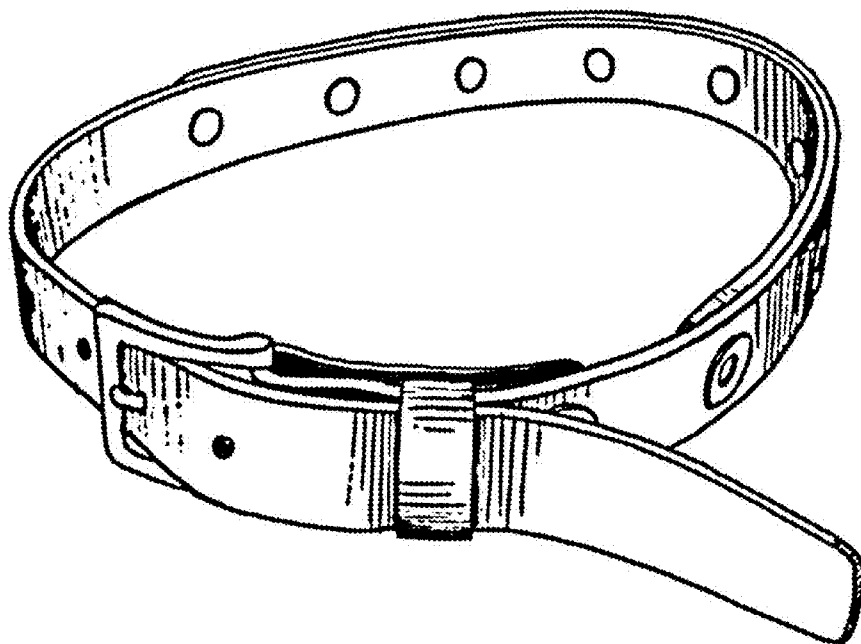


Fig. 1

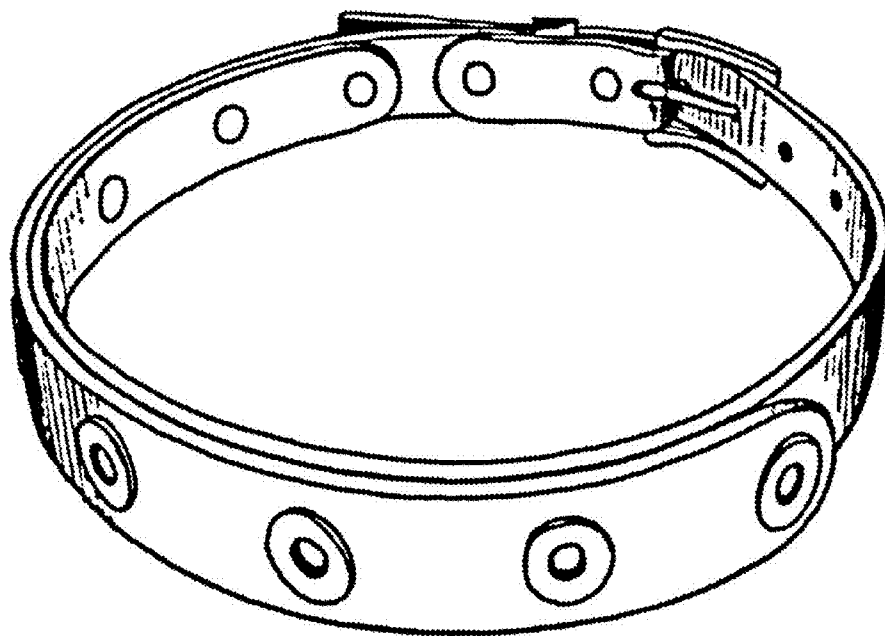


Fig. 2

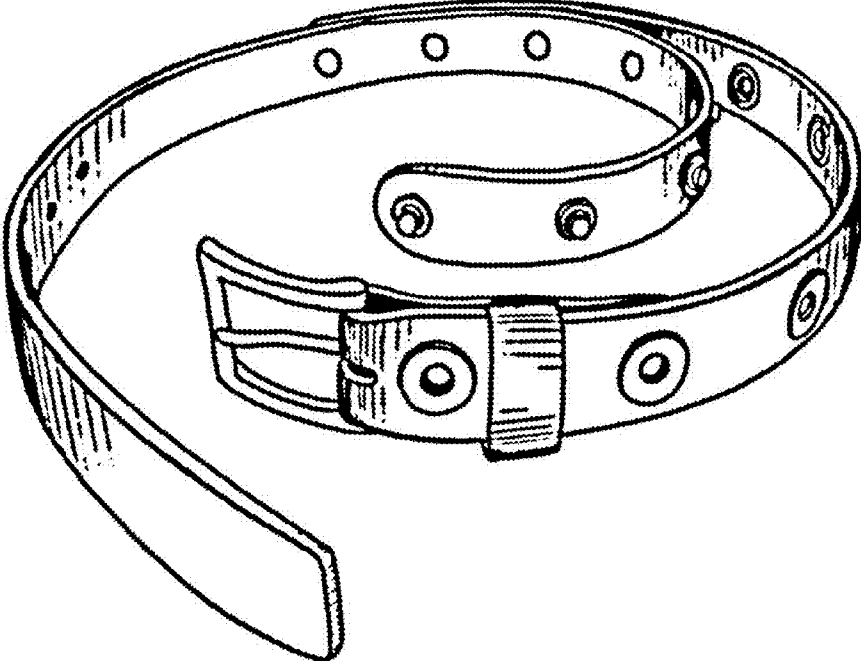


Fig. 3

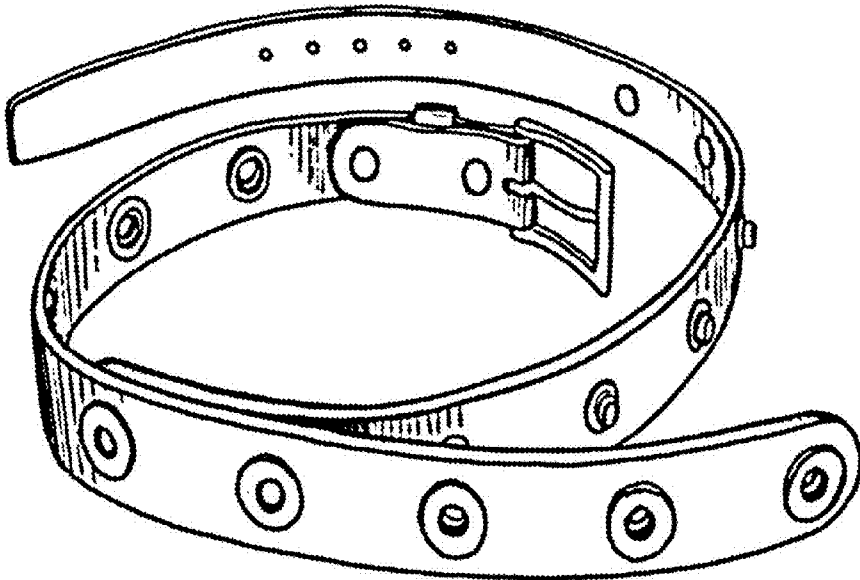


Fig. 4

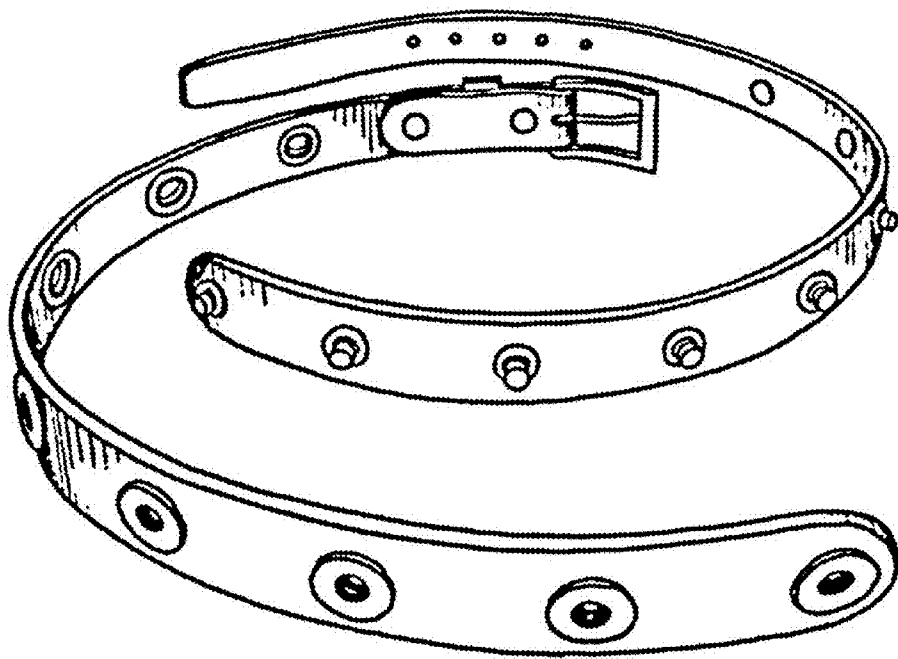


Fig. 5